

**READ THROUGH THIS MANUAL
BEFORE STARTING CONSTRUCTION.
IT CONTAINS IMPORTANT INSTRUCTIONS
AND WARNINGS CONCERNING THE
ASSEMBLY AND USE OF THIS MODEL.**



PHOENIX MODEL®

SPECIFICATION

- Wingspan: 2567mm (101in)
- Length: 2190mm (86.2 in)
- Flying weight: 11-13 kg
- Wing area: 101 dm²
- Wing loading: 99g/dm²
- Wing type: Naca airfoils
- Retract gear type: Electric Retract With CNC Suspension Metal Struts (included)
- Spinner size: 115mm (included)
- Servo: 9 standard hi-torque servo: 2 aileron; 2 flap; 2 elevator; 1 rudder; 1 throttle; 1 steering nose. (not included)
- Recommended receiver battery: 6.0V 2400/2600mAh NiMH (2) (not included)
- Servo mount: 21mm x 42 mm
- Propeller: suit with your engine
- Engine: 50- 60 CC gas engine (two stroke) (not included)
- Motor: brushless outrunner 6500 W, 230 KV (not included)
- Gravity CG: 141 mm (5.5 in) Back from the leading edge of the wing, at the fuselage

- Control throw Ailerons: Low: 15mm up/down, 10% expo; High: 20mm up/down, 10% expo
 - Control throw Elevators: Low: 15mm up/down, 12% expo; High: 20mm up/down, 12% expo
 - Control throw Rudder: Low: 30mm right/left, 15% expo; High: 45mm right/left, 15% expo
 - Control throw Flaps: Mid: 25mm down; Landing: 35mm down
 - Experience level: Intermediate
 - Plane type: Scale Military
- RECOMMENDED MOTOR AND BATTERY SET UP**
- Motor: Rimfire 50cc (not included)
 - Propeller: 22x8 to 26x10 (not included)
 - Lipo cell: 33.3-55.5V / 9-15S LiPo (not included)
 - Esc: 120 Amp (not included)



UNDER SAFETY PRECAUTIONS

This radio control model is not a toy!

- It is highly recommended that first-time builders seek advice of experienced modelers before beginning assembly.
- Assemble this kit only in places out of children's reach!
- Take enough safety precautions prior to operating this model.
You are responsible for this model's assembly and safe operation!
- Always keep this instruction manual ready at hand for quick reference, even after completing the assembly.

TABLE OF CONTENTS

Introduction	1	Rudder installation	22
Warranty.....	2	Installing the rudder pushrod	24
Disclaimer.....	2	Installing the nose gear retract	26
Safety precaution	2	Electric retract system.....	28
Important building notes.....	2	Installing the engine	29
Suggestion.....	2	Installing the fuel tank.....	32
Flight warnings.....	2	Installing the throttle	33
Flight warnings.....	3	Mounting the cowl	34
Covering tools.....	3	Installing the spinner	36
Adhesives and required tools	3	Installing the receiver and battery	37
Academy of model aeronautics national		Installing the switch	37
model aircraft safety code.....	3	Installing the electric motor (ep version)	37
Installing the light wing.....	5	Balancing	40
Suggestion for engine and servo	7	Lateral balance	41
Preparations	7	Control throws	41
Installing the ailerons and flaps.....	7	Flight preparation pre flight check	41
Installing the ailerons and flaps servos	8	For your radio installation	
Installing the ailerons and flaps linkages	9	Basic connection for airplane	
Installing the plastic cover.....	12	and adjustment of servos	42
Installing the main landing gear	12	Main Gear Dimensional Detail	43
Electric retract system.....	16	Nose Gear Dimensional Detail	43
Secure the fuselage	17	Decoration.....	44
Secure the wing to the fuselage	18	Exploded view	45
Gluing the plastic cover.....	18	Exploded view	46
Installing the elevator servo	19		
Installing the elevator linkages	19		
Horizontal stabilizer installation	22		

INTRODUCTION

Thank you for purchasing Phoenix Model products. With over 20 years experience in production and fly testing, Phoenix Model is committed to bring the best quality products and good service to customers. Along with a team of creative engineers and skilled workers, we will always accompany with customers by our great experiences, fully enthusiasm... which will burn our passion!! Joining with us to explore and conquer challenges in the sky ...

Your satisfaction is our success. Please read through this manual before starting construction.

Academy of Model Aeronautics: If you are not already a member of the AMA, please join! The AMA is the governing body of model aviation and membership provides liability insurance coverage, protects modelers' rights and interests and is required to fly at most R/C sites.

Academy of Model Aeronautics

5151 East Memorial Drive Muncie, IN 47302-9252

Tele. (800) 435-9262

Fax (765) 741-0057

Or via the Internet at: <http://www.modelaircraft.org>



WARRANTY

Phoenix Model guarantees the component parts in this kit to be free from defects in both material and workmanship at the date of purchase by the purchaser.

This warranty does not cover cosmetic damage or damage due to acts of God, accident, misuse, abuse, negligence, commercial use, or modification of or to any part of the Product.

This warranty does not cover damage due to improper installation, operation, maintenance, or attempted repair by anyone other than Phoenix Model.

Further, Phoenix Model reserves the right to change or modify this warranty without notice.

DISCLAIMER

Read this disclaimer carefully before using this product. Please strictly follow the instruction manual to assemble and use this.

In that Phoenix Model has no control over the final assembly or material used for final assembly, Phoenix Model is not responsible for loss of use, or other incidental or consequential damages.

Furthermore, Phoenix Model cannot be held liable for personal injury or property damage caused by the use or misuse of Phoenix Model products. By the act of using the user-assembled products, the user accepts all resulting liability.

SAFETY PRECAUTION

- This is not a toy and pilots must be over the age of 14
- Be sure that no other flyers are using your radio frequency.
- Do not smoke near fuel
- Store fuel in a cool, dry place, away from children and pets.
- Wear safety glasses.
- The glow plug clip must be securely attached to the glow plug.
- Do not flip the propeller with your fingers.
- Keep loose clothing and wires away from the propeller.
- Do not start the engine if people are near. Do not stand in line with the side of the propeller.
- Make engine adjustments from behind the propeller only. Do not reach around the spinning propeller.
- Moisture causes damage to electronics. Avoid water exposure to all equipment not specifically designed and protected for this purpose.

IMPORTANT BUILDING NOTES

- Please trial fit all the parts. Make sure you have the correct parts and that they fit and are aligned properly before gluing! This will assure proper assembly. This kit is hand made from natural materials, every plane is unique and minor adjustments may have to be made. However, you should find the fit superior and assembly simple.

- The painted and plastic parts used in this kit are fuel proof. However, they are not tolerant of many harsh chemicals including the following: paint thinner, C/A glue accelerator, C/A glue debonder and acetone. Do not let these chemicals come in contact with the colors on the covering and the plastic parts.

- Some parts included in this kit such as the cowl or wheel pants are made of fiberglass, the fibers of which may cause eye, skin and respiratory tract irritation. Never blow into a part to remove fiberglass dust, as the dust will blow back into your eyes. Always wear safety goggles, a particle mask and rubber gloves when grinding, drilling and sanding fiberglass parts. Vacuum the parts and the work area thoroughly after working with fiberglass parts.

SUGGESTION

To avoid scratching your new airplane, do not unwrap the pieces until they are needed for assembly. Cover your workbench with an old towel or brown paper, both to protect the aircraft and to protect the table. Keep a couple of jars or bowls handy to hold the small parts after you open the bag.

FLIGHT WARNINGS

- Always operate in open areas, away from factories, hospitals, schools, buildings and houses etc.
- NEVER fly your aircraft close to people or built up areas.
- NEVER fly near power lines, aerials or other dangerous areas including airports, motorways etc.
- NEVER fly in wet conditions or on windy or stormy days.
- ALWAYS adjust the engine from behind the propeller, and do not allow any part of your body to be in line with the propeller.
- THE PROPELLER IS DANGEROUS Keep fingers, clothing (ties, shirt sleeves, scarves) or any other loose objects that could be caught or drawn in, away from the propeller. Take care at ALL times.
- NEVER use damaged or deformed propellers or spinners.
- Keep all onlookers (especially small children and animals) well back from the area of operation. This is a flying aircraft, which will cause serious injury in case of impact with a person or animal.
- DO NOT dispose of empty fuel containers on a fire, this can lead to an explosion.

FLIGHT WARNINGS

- When ready to fly, first extend the transmitter aerial.
- Switch on the transmitter.
- Switch on the receiver.
- Check that the wings are correctly fitted to the fuselage.
- Operate the control sticks on the transmitter and check that the control surfaces move freely and in the CORRECT directions.
- Check that the transmitter batteries have adequate power.
- ALWAYS take off into the wind.
- If the model does not respond correctly to the controls, land it as soon as possible and correct the fault.
- ALWAYS land the model INTO the wind, this ensures that the model lands at the slowest possible speed.
- Switch off the receiver.
- Switch off the transmitter.
- Empty the fuel tank after flying, fuel left in the tank can cause corrosion and lead to engine problems.

COVERING TOOLS

- Top Flite® MonoKote® Sealing Iron
- Top Flite Hot Sock Iron Cover
- Top Flite MonoKote Trim Seal Iron
- Top Flite MonoKote Heat Gun

ADHESIVES AND REQUIRED TOOLS

- Thin CA
- 30-minute epoxy
- 6-minute epoxy
- Threadlocker thread locking cement
- Mixing sticks
- Mixing cups (GPMR8056)
- Epoxy brushes
- Denatured alcohol
- Canopy Glue
- Felt-tipped pen or pencil
- Flat screwdriver
- Adjustable wrench
- Drill
- Hobby knife
- Masking tape
- Phillips screwdriver (large)
- Phillips screwdriver (small)
- Ruler
- Sandpaper
- Soldering iron
- Solder
- Hex wrench
- Drill bit: 1/16-inch (1.5mm), 5/64-inch (2mm), 1/8-inch (3,2mm), 3/16-inch (4,8mm), 11/64-inch (4.5mm), 13/64-inch (5,2mm), 1/4-inch (6,4mm)

Academy of Model Aeronautics National Model Aircraft Safety Code**Effective January 1, 2014**

A. GENERAL: A model aircraft is a non-human-carrying aircraft capable of sustained flight in the atmosphere. It may not exceed limitations of this code and is intended exclusively for sport, recreation, education and/or competition. All model flights must be conducted in accordance with this safety code and any additional rules specific to the flying site.

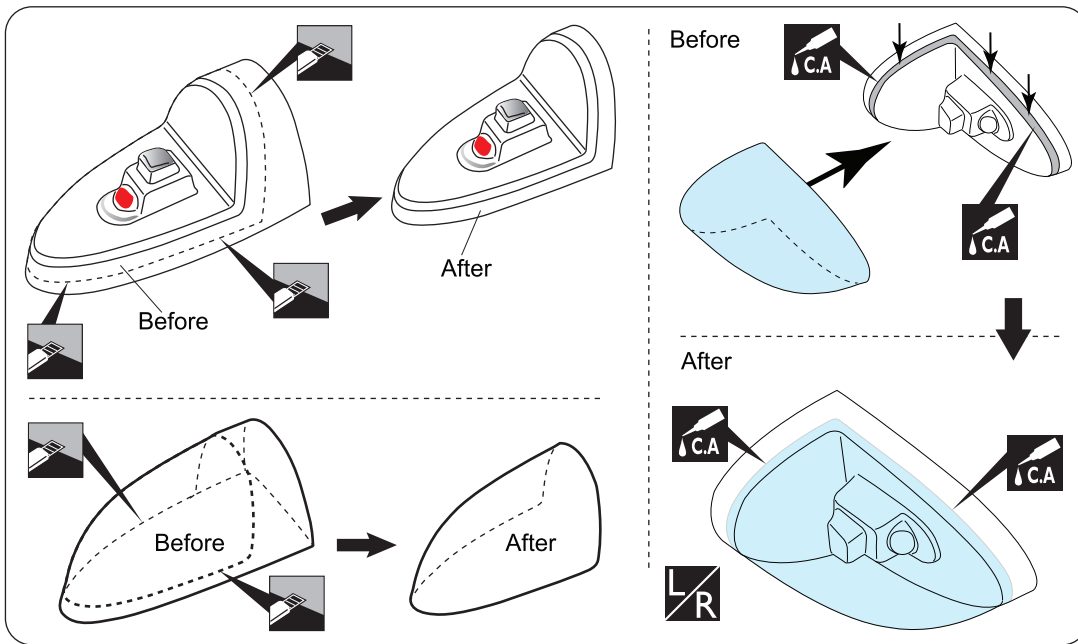
1. Model aircraft will not be flown:
 - (a) In a careless or reckless manner.
 - (b) At a location where model aircraft activities are prohibited.
2. Model aircraft pilots will:
 - (a) Yield the right of way to all human-carrying aircraft.
 - (b) See and avoid all aircraft and a spotter must be used when appropriate. (AMA Document #540-D.)
 - (c) Not fly higher than approximately 400 feet above ground level within three (3) miles of an airport without notifying the airport operator.
 - (d) Not interfere with operations and traffic patterns at any airport, heliport or seaplane base except where there is a mixed use agreement.
 - (e) Not exceed a takeoff weight, including fuel, of 55 pounds unless in compliance with the AMA Large Model Airplane program. (AMA Document 520-A.)
 - (f) Ensure the aircraft is identified with the name and address or AMA number of the owner on the inside or affixed to the outside of the model aircraft. (This does not apply to model aircraft flown indoors.)
 - (g) Not operate aircraft with metal-blade propellers or with gaseous boosts except for helicopters operated under the provisions of AMA Document #555.
 - (h) Not operate model aircraft while under the influence of alcohol or while using any drug that could adversely affect the pilot's ability to safely control the model.
 - (i) Not operate model aircraft carrying pyrotechnic devices that explode or burn, or any device which propels a projectile or drops any object that creates a hazard to persons or property.

Exceptions:

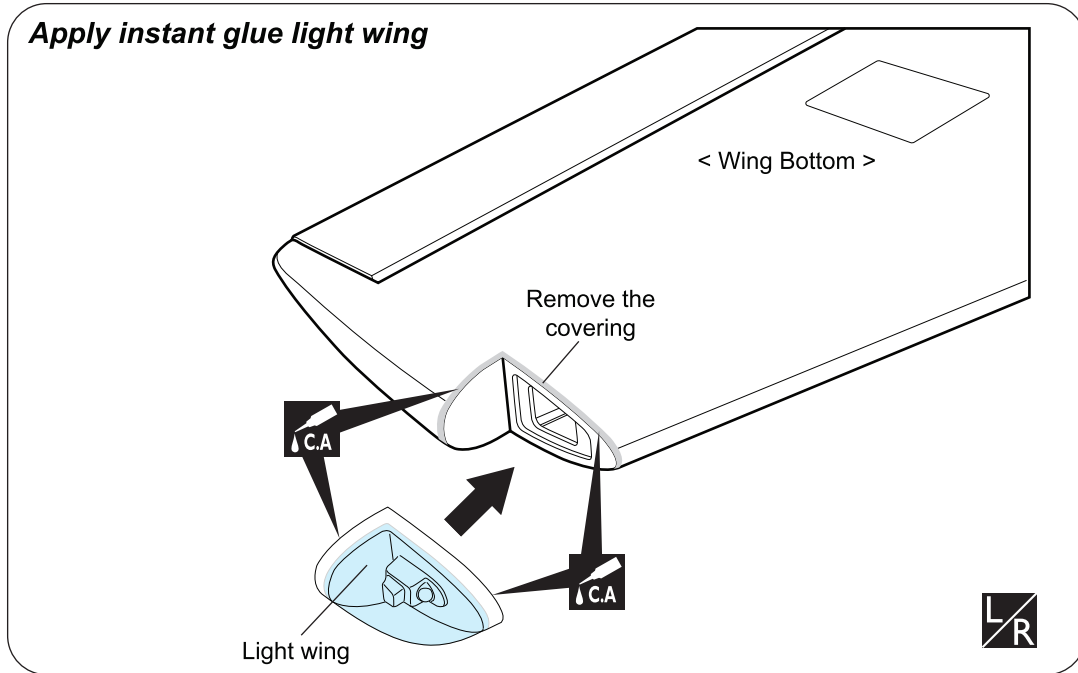
- Free Flight fuses or devices that burn producing smoke and are securely attached to the model aircraft during flight.
- Rocket motors (using solid propellant) up to a G-series size may be used provided they remain attached to the model during flight. Model rockets may be flown in accordance with the National Model Rocketry Safety Code but may not be launched from model aircraft.

- Officially designated AMA Air Show Teams (AST) are authorized to use devices and practices as defined within the Team AMA Program Document. (AMA Document #718.)
- (j) Not operate a turbine-powered aircraft, unless in compliance with the AMA turbine regulations. (AMA Document #510-A.)
- 3. Model aircraft will not be flown in AMA sanctioned events, air shows or model demonstrations unless:
 - (a) The aircraft, control system and pilot skills have successfully demonstrated all maneuvers intended or anticipated prior to the specific event.
 - (b) An inexperienced pilot is assisted by an experienced pilot.
- 4. When and where required by rule, helmets must be properly worn and fastened. They must be OSHA, DOT, ANSI, SNELL or NOCSAE approved or comply with comparable standards.
- B. RADIO CONTROL (RC)
 - 1. All pilots shall avoid flying directly over unprotected people, vessels, vehicles or structures and shall avoid endangerment of life and property of others.
 - 2. A successful radio equipment ground-range check in accordance with manufacturer's recommendations will be completed before the first flight of a new or repaired model aircraft.
 - 3. At all flying sites a safety line(s) must be established in front of which all flying takes place. (AMA Document #706.)
 - (a) Only personnel associated with flying the model aircraft are allowed at or in front of the safety line.
 - (b) At air shows or demonstrations, a straight safety line must be established.
 - (c) An area away from the safety line must be maintained for spectators.
 - (d) Intentional flying behind the safety line is prohibited.
 - 4. RC model aircraft must use the radio-control frequencies currently allowed by the Federal Communications Commission (FCC). Only individuals properly licensed by the FCC are authorized to operate equipment on Amateur Band frequencies.
 - 5. RC model aircraft will not knowingly operate within three (3) miles of any pre-existing flying site without a frequency-management agreement. (AMA Documents #922 and #923.)
 - 6. With the exception of events flown under official AMA Competition Regulations, excluding takeoff and landing, no powered model may be flown outdoors closer than 25 feet to any individual, except for the pilot and the pilot's helper(s) located at the flightline.
 - 7. Under no circumstances may a pilot or other person touch an outdoor model aircraft in flight while it is still under power, except to divert it from striking an individual.
 - 8. RC night flying requires a lighting system providing the pilot with a clear view of the model's attitude and orientation at all times. Hand-held illumination systems are inadequate for night flying operations.
 - 9. The pilot of an RC model aircraft shall:
 - (a) Maintain control during the entire flight, maintaining visual contact without enhancement other than by corrective lenses prescribed for the pilot.
 - (b) Fly using the assistance of a camera or First-Person View (FPV) only in accordance with the procedures outlined in AMA Document #550.
 - (c) Fly using the assistance of autopilot or stabilization system only in accordance with the procedures outlined in AMA Document #560.
- C. FREE FLIGHT
 - 1. Must be at least 100 feet downwind of spectators and automobile parking when the model aircraft is launched.
 - 2. Launch area must be clear of all individuals except mechanics, officials, and other fliers.
 - 3. An effective device will be used to extinguish any fuse on the model aircraft after the fuse has completed its function.
- D. CONTROL LINE
 - 1. The complete control system (including the safety thong where applicable) must have an inspection and pull test prior to flying.
 - 2. The pull test will be in accordance with the current Competition Regulations for the applicable model aircraft category.
 - 3. Model aircraft not fitting a specific category shall use those pull-test requirements as indicated for Control Line Precision Aerobatics.
 - 4. The flying area must be clear of all utility wires or poles and a model aircraft will not be flown closer than 50 feet to any above-ground electric utility lines.
 - 5. The flying area must be clear of all nonessential participants and spectators before the engine is started.

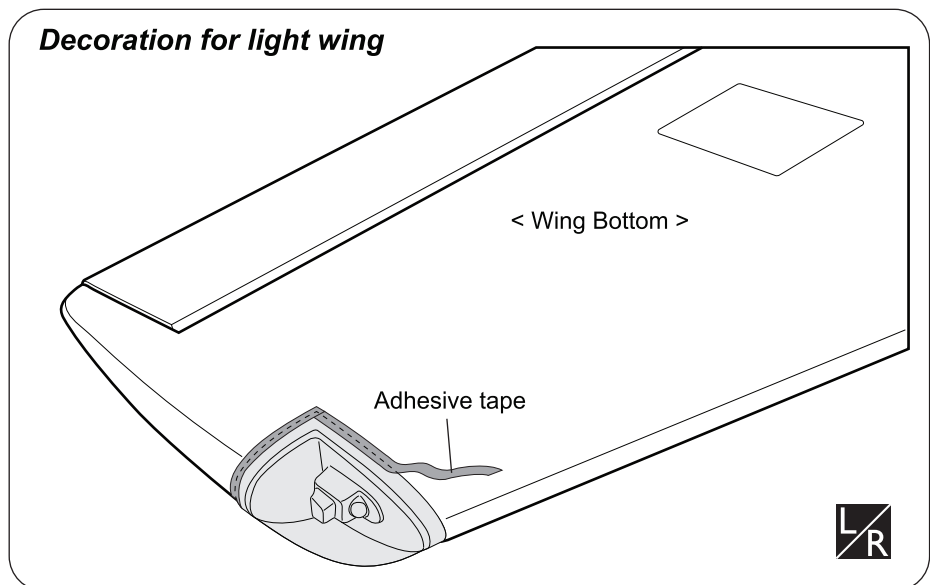
INSTALLING THE LIGHT WING






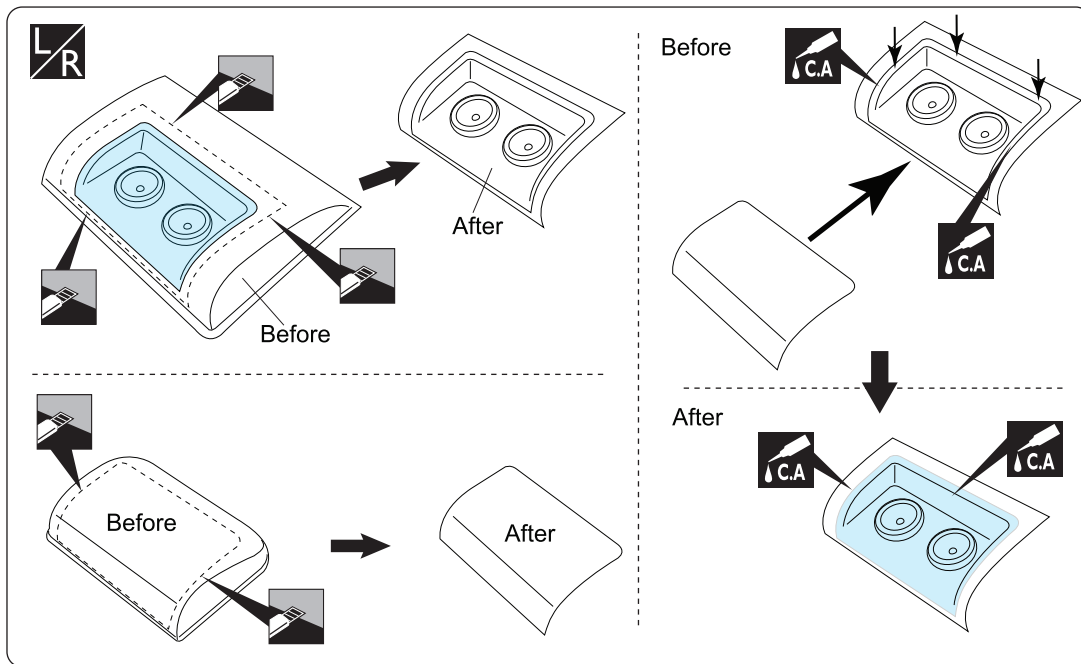
Apply instant glue light wing



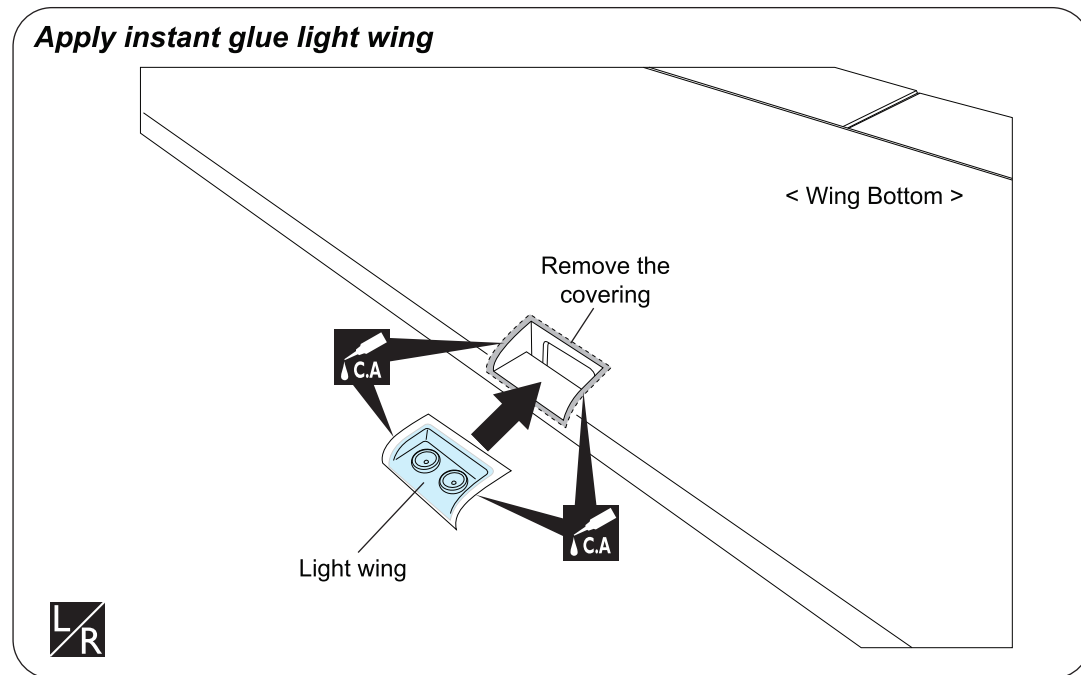
Decoration for light wing



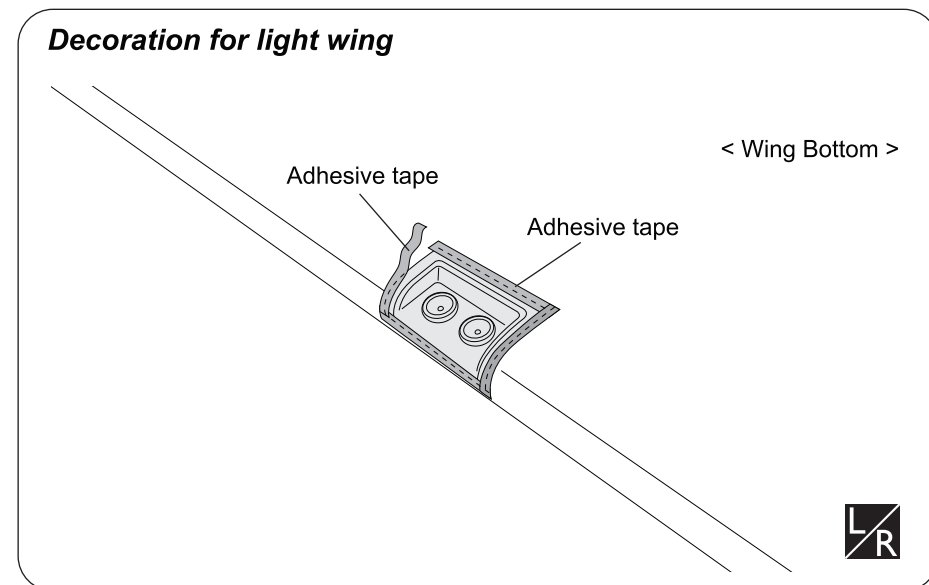
-  Cut off shaded portion
-  Apply instant glue (CA glue, super glue).
-  Assemble left and right sides the same way



Apply instant glue light wing



Decoration for light wing

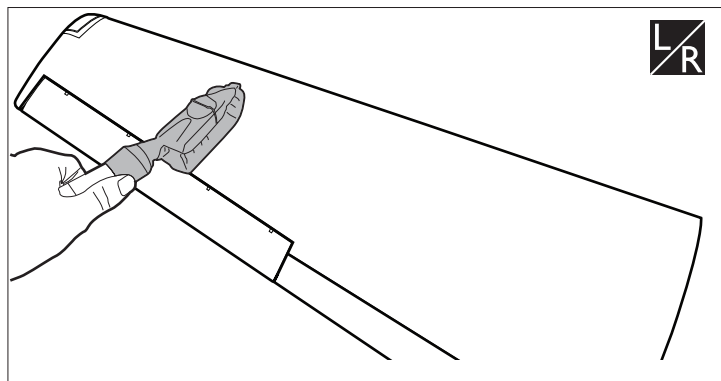



SUGGESTION FOR ENGINE AND SERVO

- **ENGINE: DLE 61 RA**
- **SERVO: Two Options**
 - Servo Option 1: Sport Performance
Hitec 7985MG Servos may be used for sport flying.
 - ★ 7 - Hitec 7985MG Servos for flight surfaces
 - ★ 1 - Hitec 5625MG Servo for throttle
 - ★ 1 - Hitec 5625MG Servo for valve control
 - Servo Option 2: Unlimited Performance
Hitec 7954SH Servos are recommended for unlimited flying.
 - ★ 7 - Hitec 7954SH Servos for flight surfaces
 - ★ 1 - Hitec 5625MG Servo for throttle
 - ★ 1 - Hitec 5625MG Servo for valve control

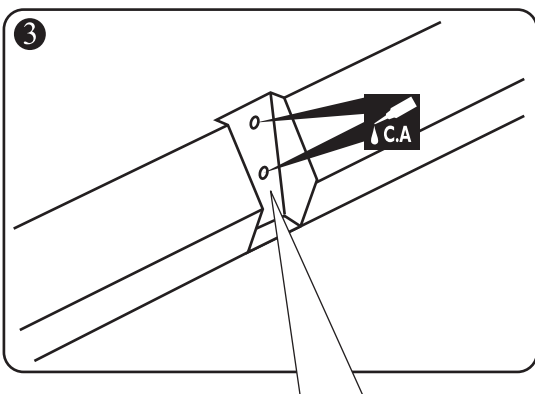
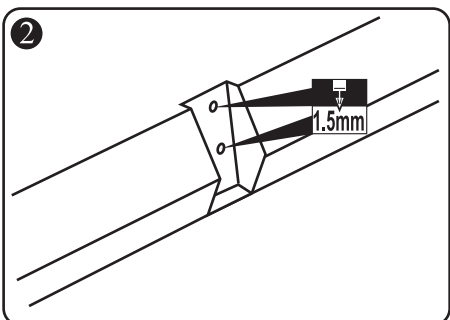
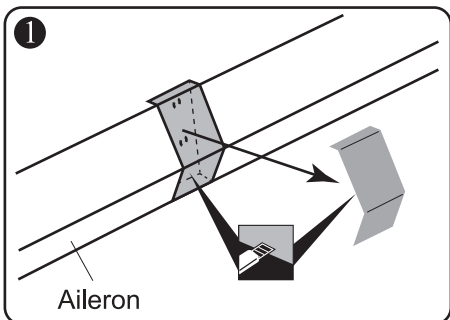
PREPARATIONS

Use a covering iron with a covering sock on high heat to tighten the covering if necessary. Apply pressure over sheeted areas to thoroughly bond the covering to the wood.

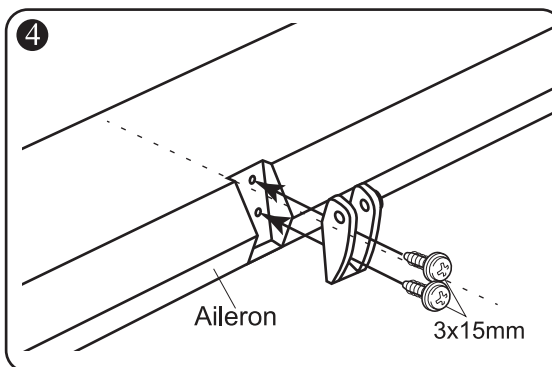
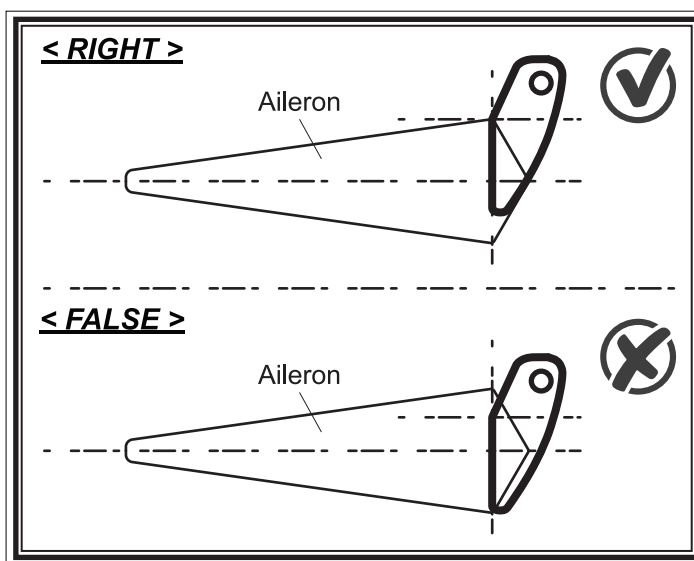



 Assemble left and right sides the same way




INSTALLING THE AILERONS AND FLAPS

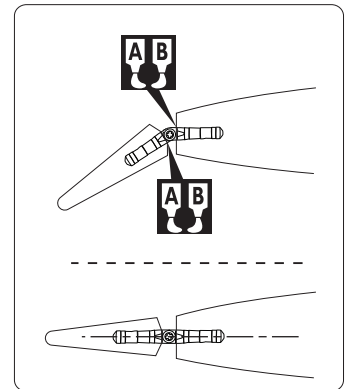
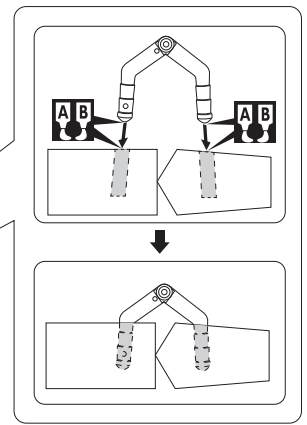
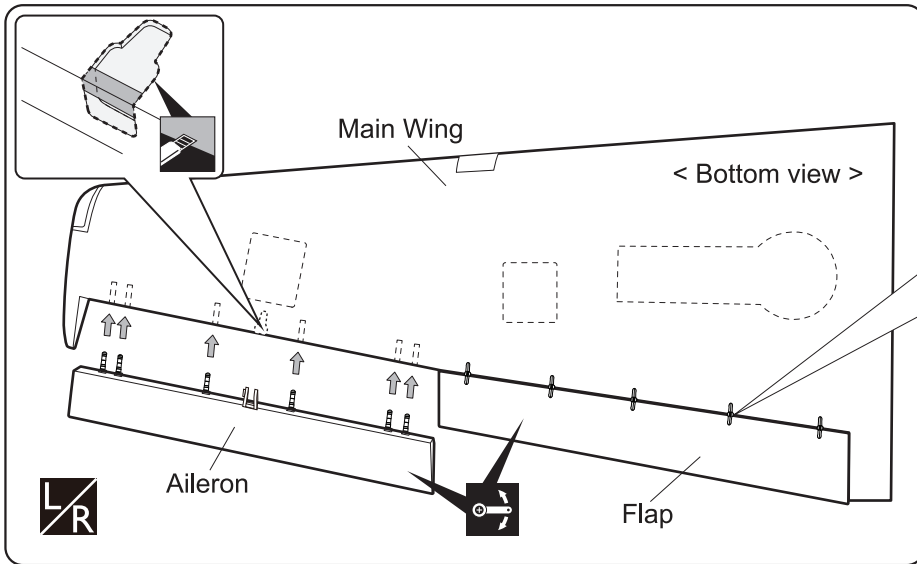


 **WARNINGS**





 **Warning!**
 ► Please note that C.A glue must be apply to these holes before screw the control horn to the aileron. If not, it comes off during flights, you may lose control of your airplane, resulting in an accident !

-  Cut off shaded portion
-  Drill holes with the specified diameter.
-  Apply instant glue (CA glue, super glue).




▶ Make certain the hinges are adequately secured with glue. If they come loose in flight accidents may result.

 Assemble left and right sides the same way

 Cut off shaded portion

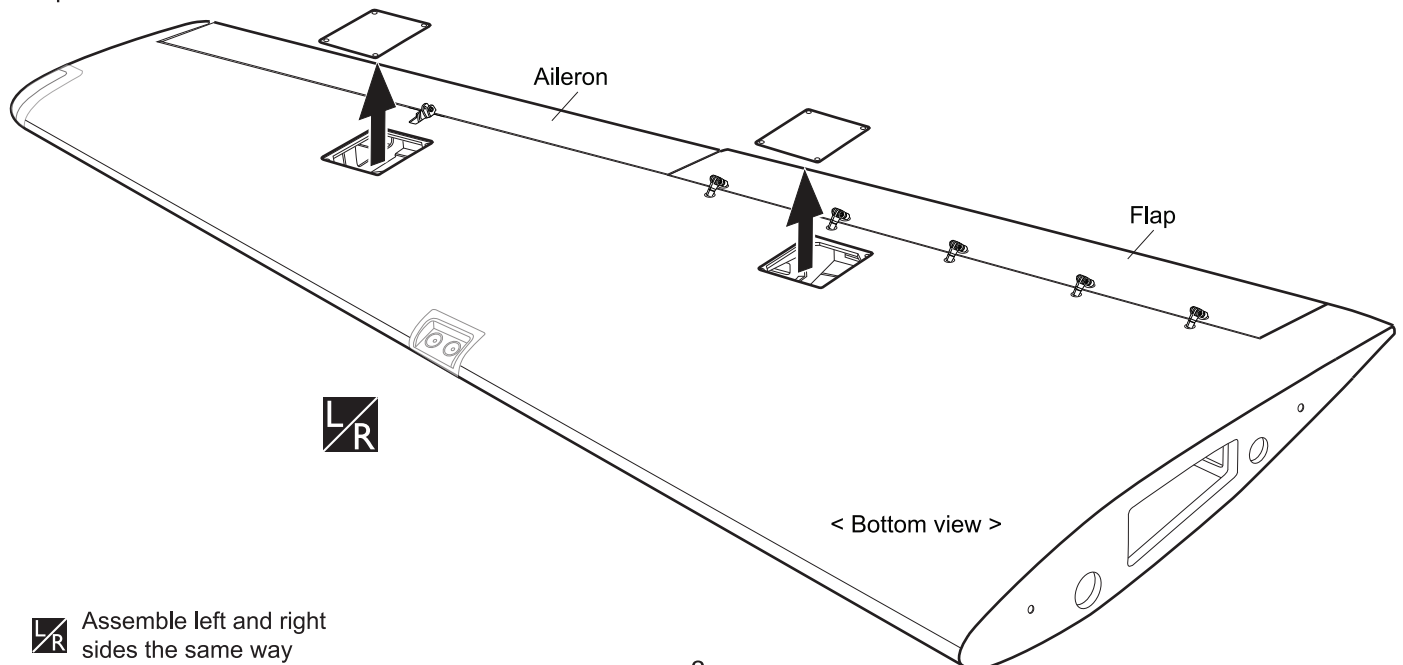
 Apply epoxy glue.


 Ensure smooth, non-binding movement when assembling.

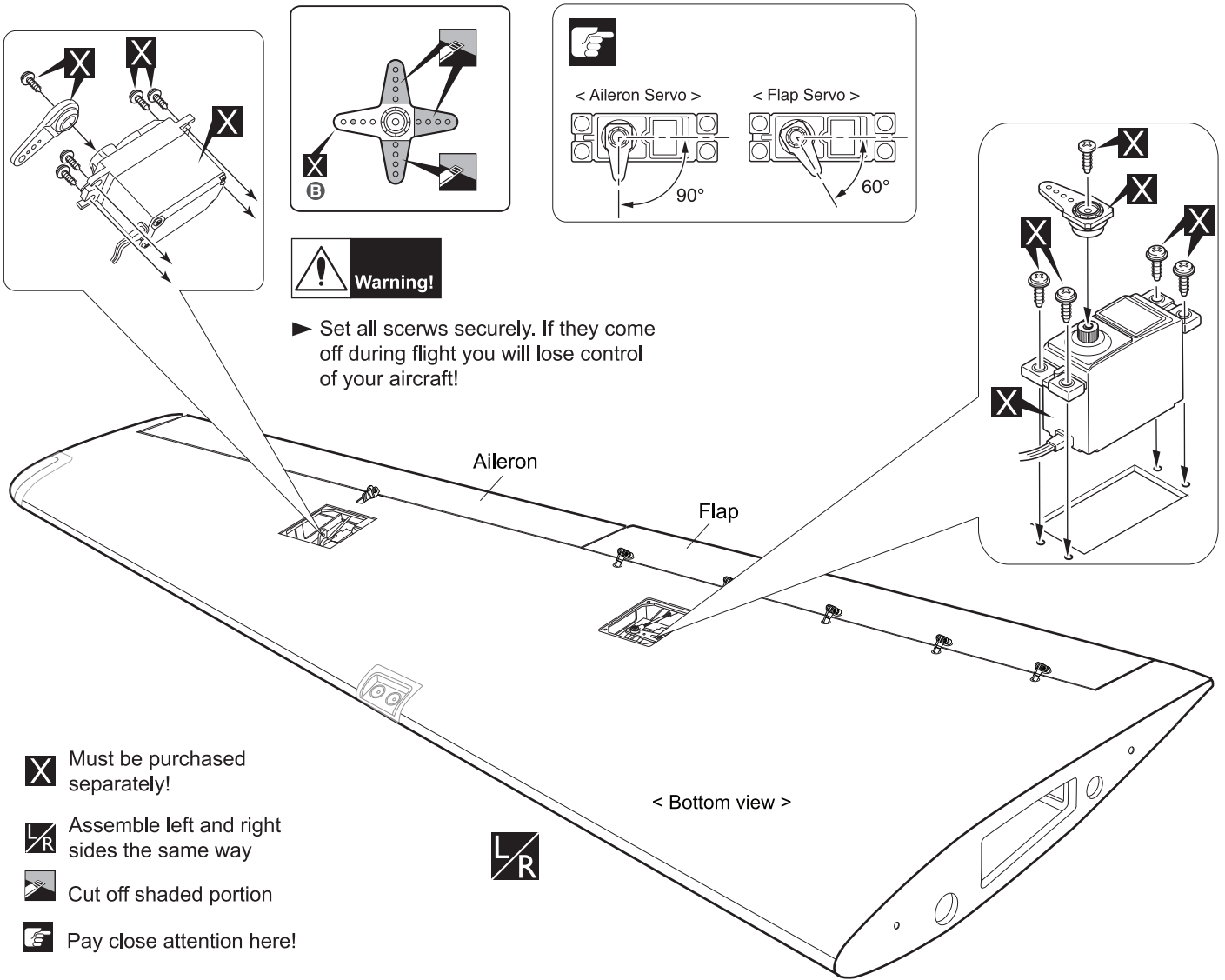
INSTALLING THE AILERONS AND FLAPS

SERVOS

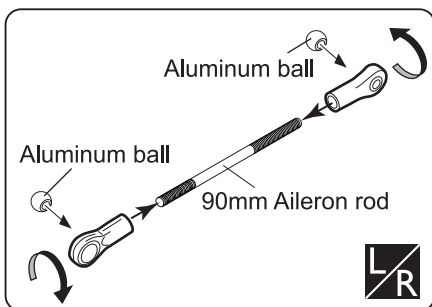
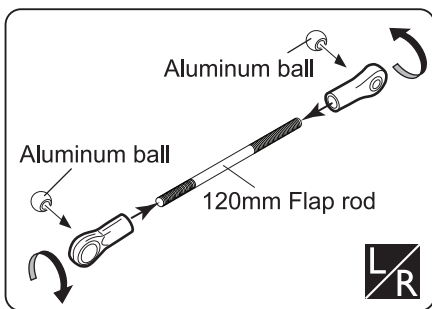
1. Install the rubber grommets and brass eyelets onto the aileron servo.
2. Using a modeling knife, remove the covering from over the pre-cut servo arm exit hole on the aileron servo tray / hatch. This hole will allow the servo arm to pass through when installing the aileron pushrods.
3. Place the servo into the servo tray. Center the servo within the tray and drill pilot holes through the block of wood for each of the four mounting screws provided with the servo.
4. Using the thread as a guide and using masking tape, tape the servo lead to the end of the thread: carefully pull the thread out. When you have pulled the servo lead out, remove the masking tape and the servo lead from the thread.
5. Place the aileron servo tray / hatch into the servo box on the bottom of the wing and drill pilot holes through the tray and the servo box for each of the four mounting screws. Secure the servo tray in place using the mounting screws provided.
6. Repeat step # 2 - # 5 to install the second aileron servo in the opposite wing half.



 Assemble left and right sides the same way

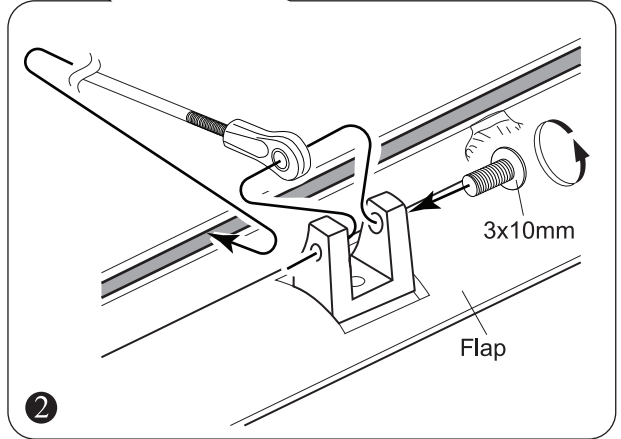
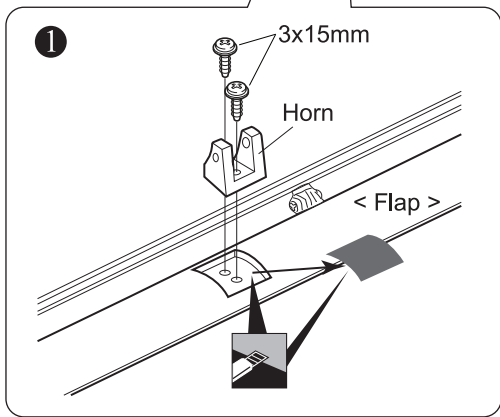
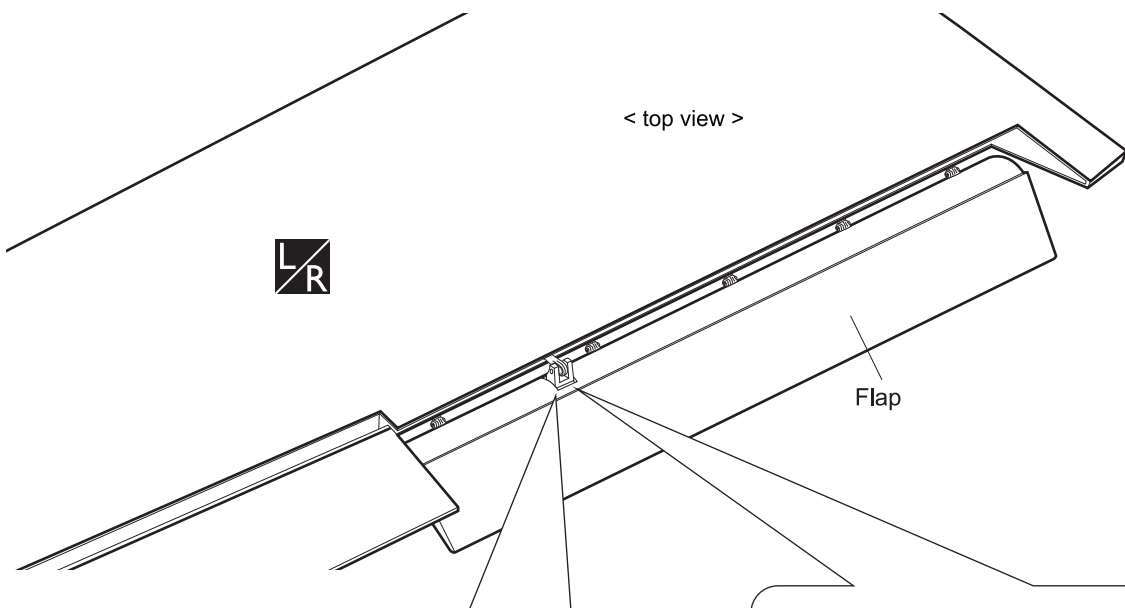
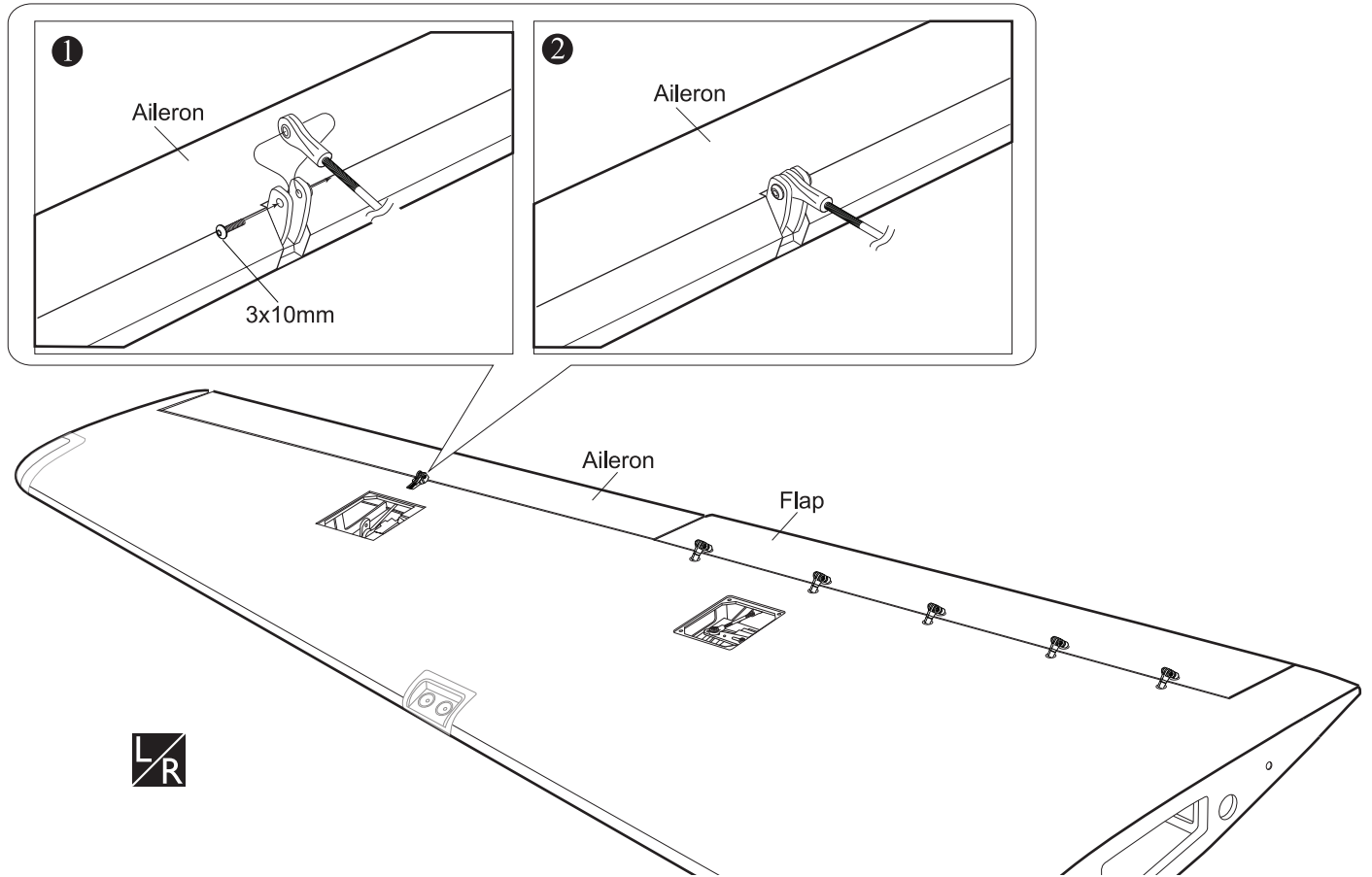


INSTALLING THE AILERONS AND FLAPS LINKAGES




LR Assemble left and right sides the same way

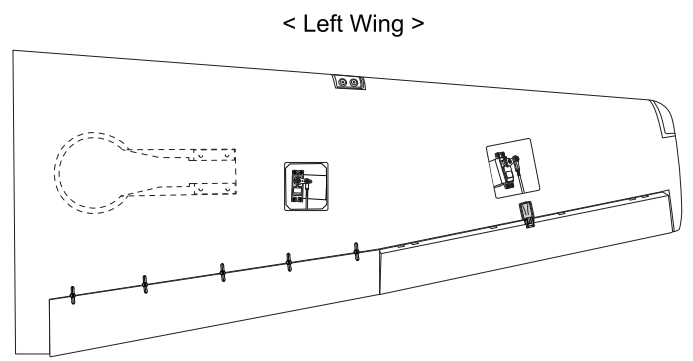
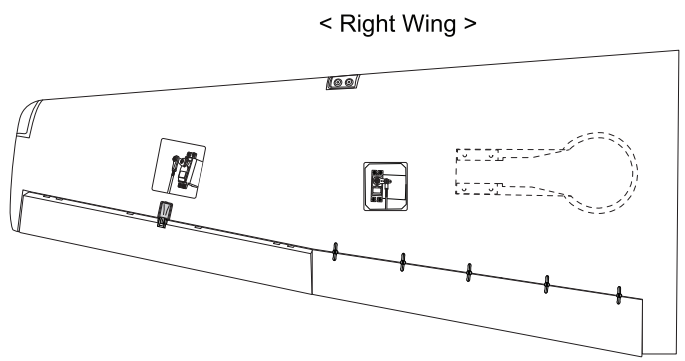
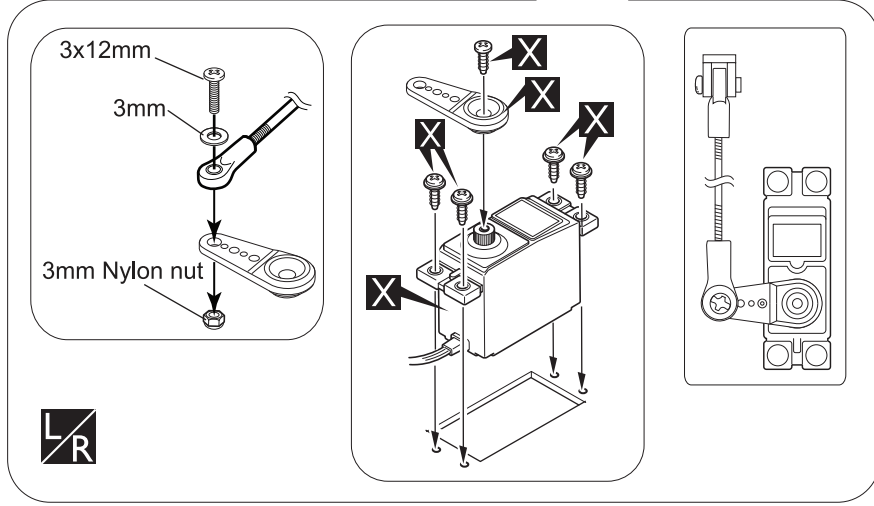
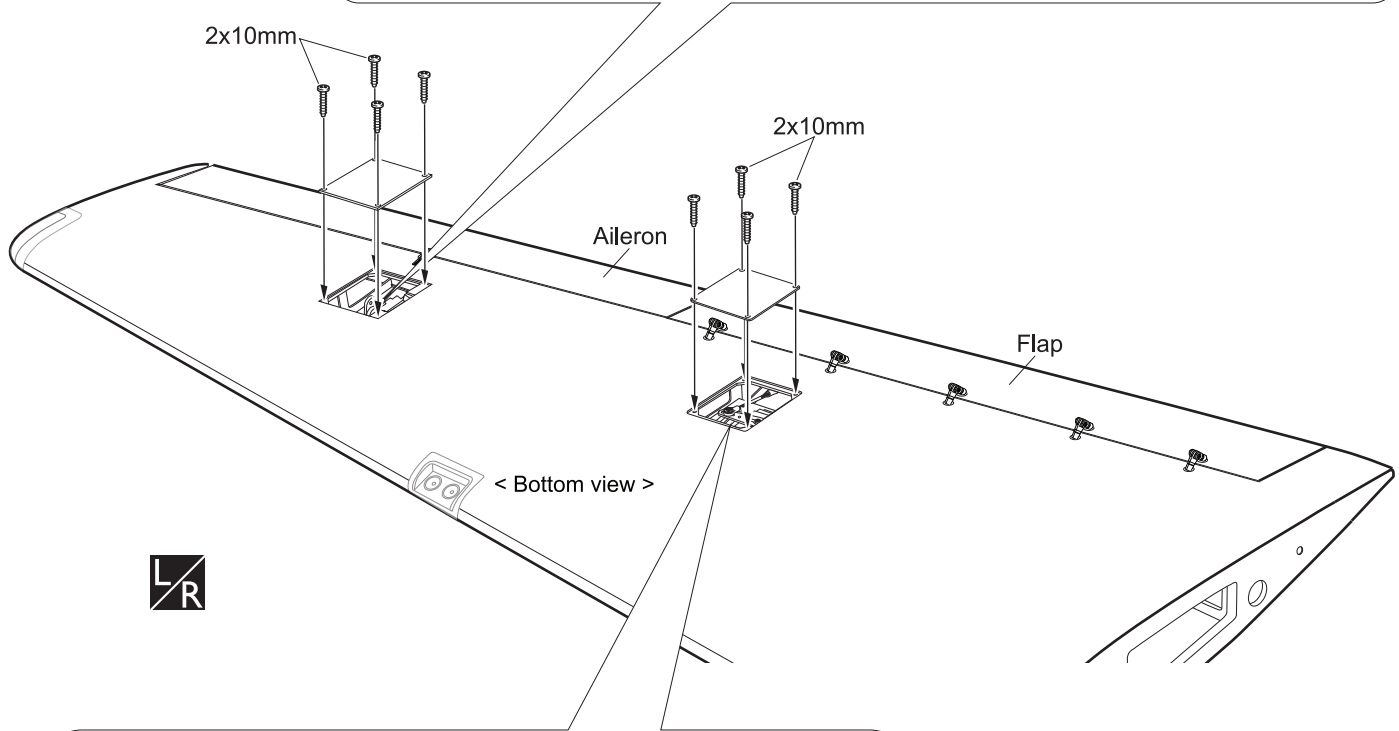
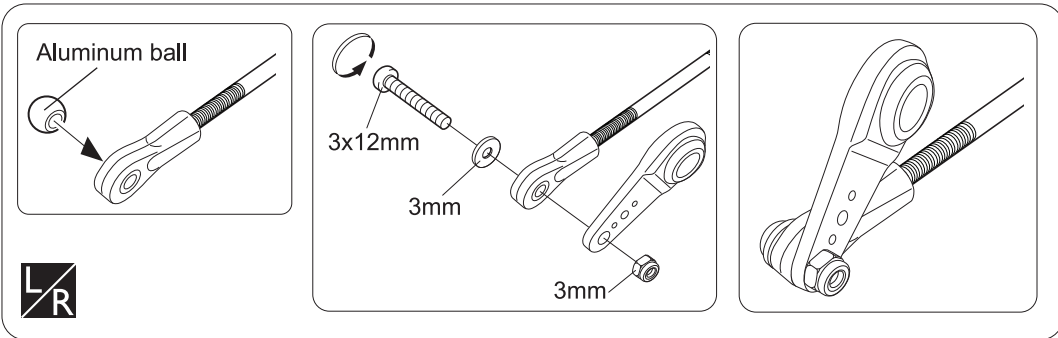
Control horn <Flap>		Control horn <Aileron>	
	2		2
3 x 10mm Button Screw	2	3 x 10mm Button Screw	2
	2		2
3 x 12mm Screw	2	3 x 12mm Screw	2
	2		2
3mm Nylon Nut	2	3mm Nylon Nut	2
	2		2
3mm Washer	2	3mm Washer	2
	2		2
Aluminum ball	2	Aluminum ball	2
	2		2
Aluminum ball	4	Aluminum ball	4
	4		4
3 x 15mm TP Screw	4	3 x 15mm TP Screw	4
	4		4
3 x 120mm Push rod	4	3 x 90mm Push rod	4
	4		4
	2		2





Cut off shaded portion

Assemble left and right sides the same way

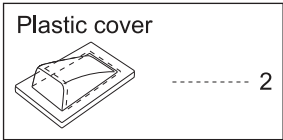
2 x 10mm TP Screw
 16



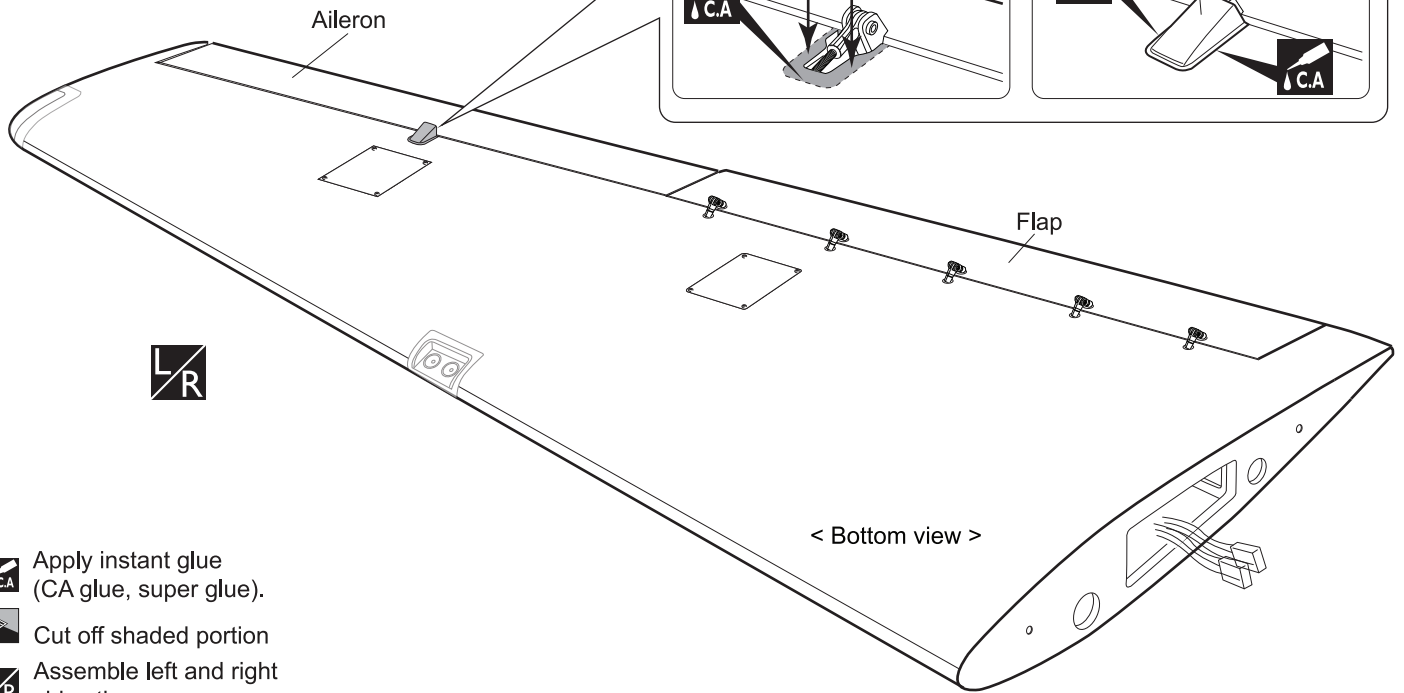
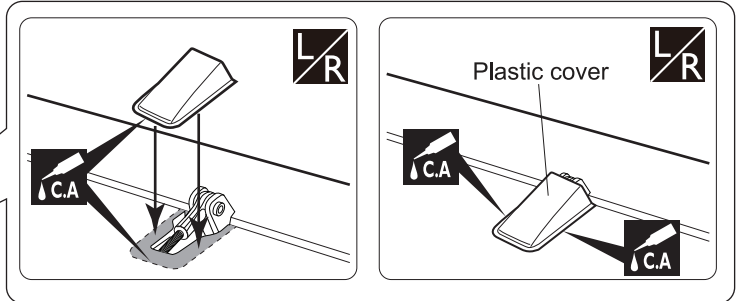
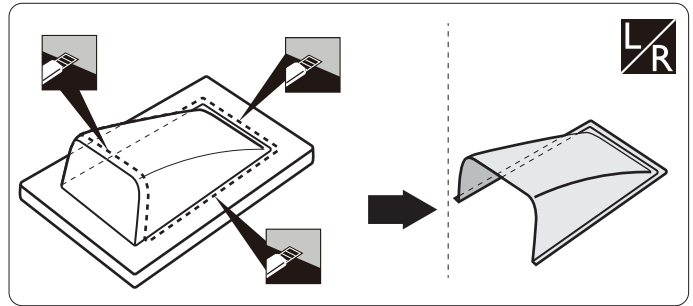
 Assemble left and right sides the same way

 Must be purchased separately!

INSTALLING THE PLASTIC COVER



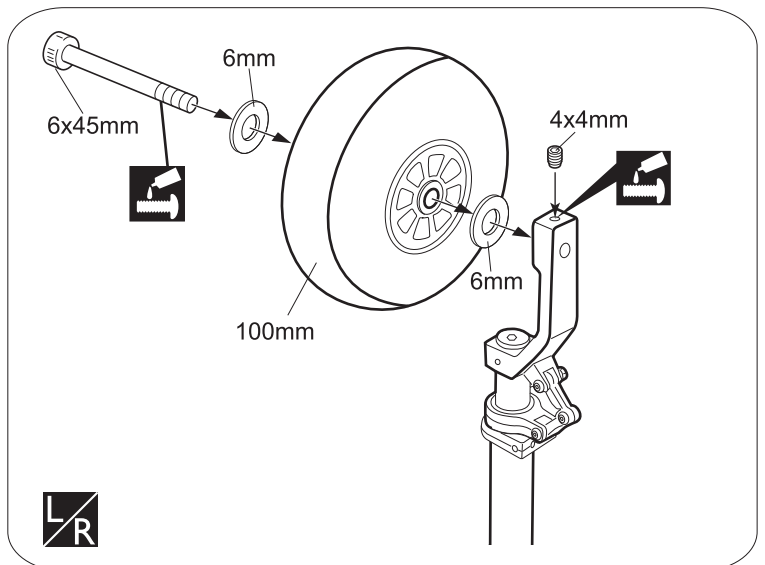
► Do not overlook this symbol!



- Apply instant glue (CA glue, super glue).
- Cut off shaded portion
- Assemble left and right sides the same way

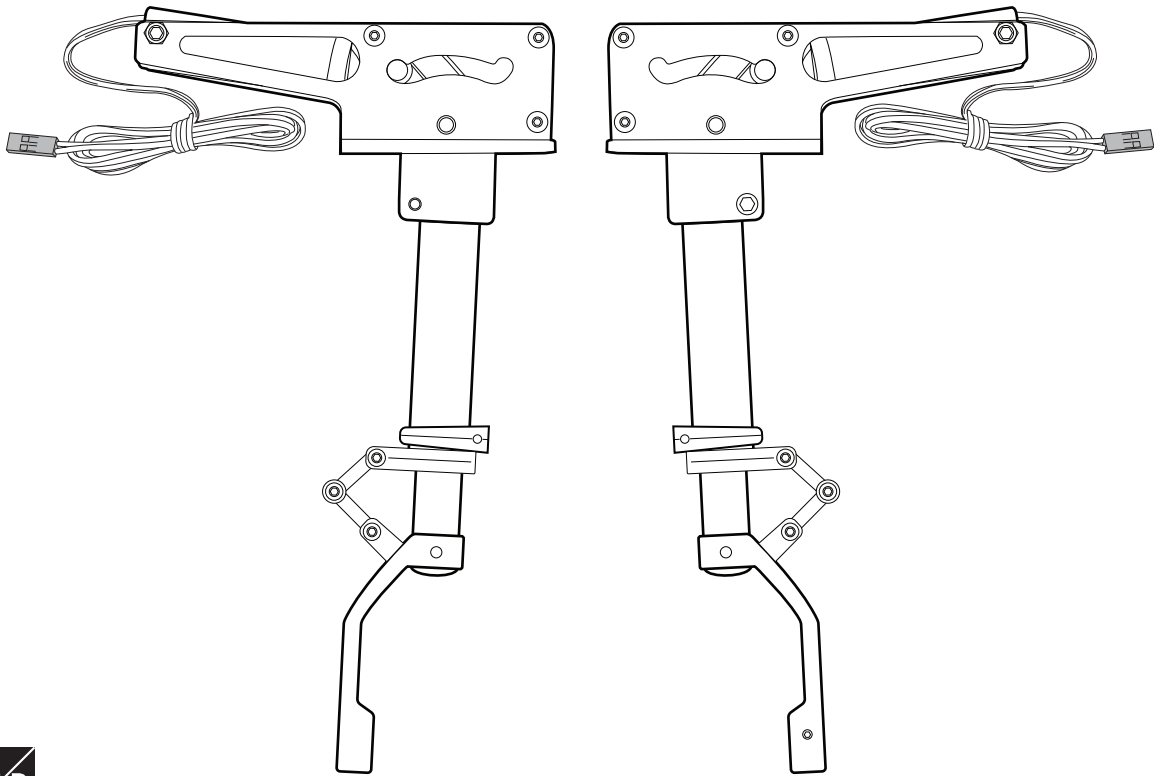
INSTALLING THE MAIN LANDING GEAR

6 x 45mm Cap Screw		----- 2
6mm Washer		----- 4
4x4mm Set Screw		----- 2
5x30mm Spring		----- 2
3 x 10mm Button Screw		----- 8
3 x 8mm Button Screw		----- 8
Aluminum ball		----- 8
3 x 30mm Push rod		----- 4

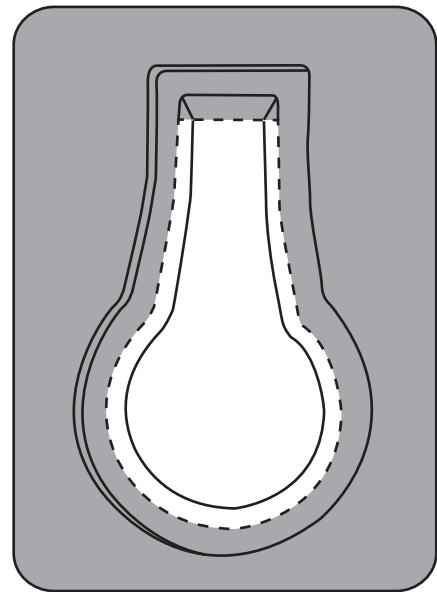
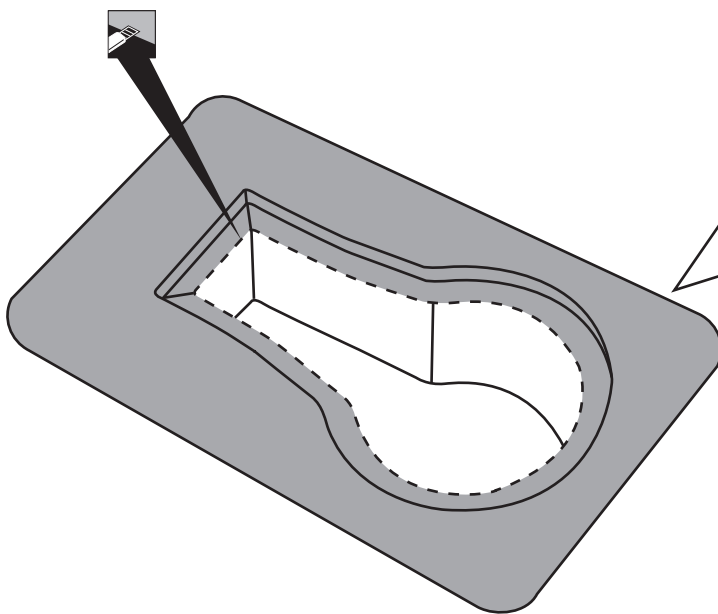



Apply threadlocker (screw cement).


Assemble left and right sides the same way




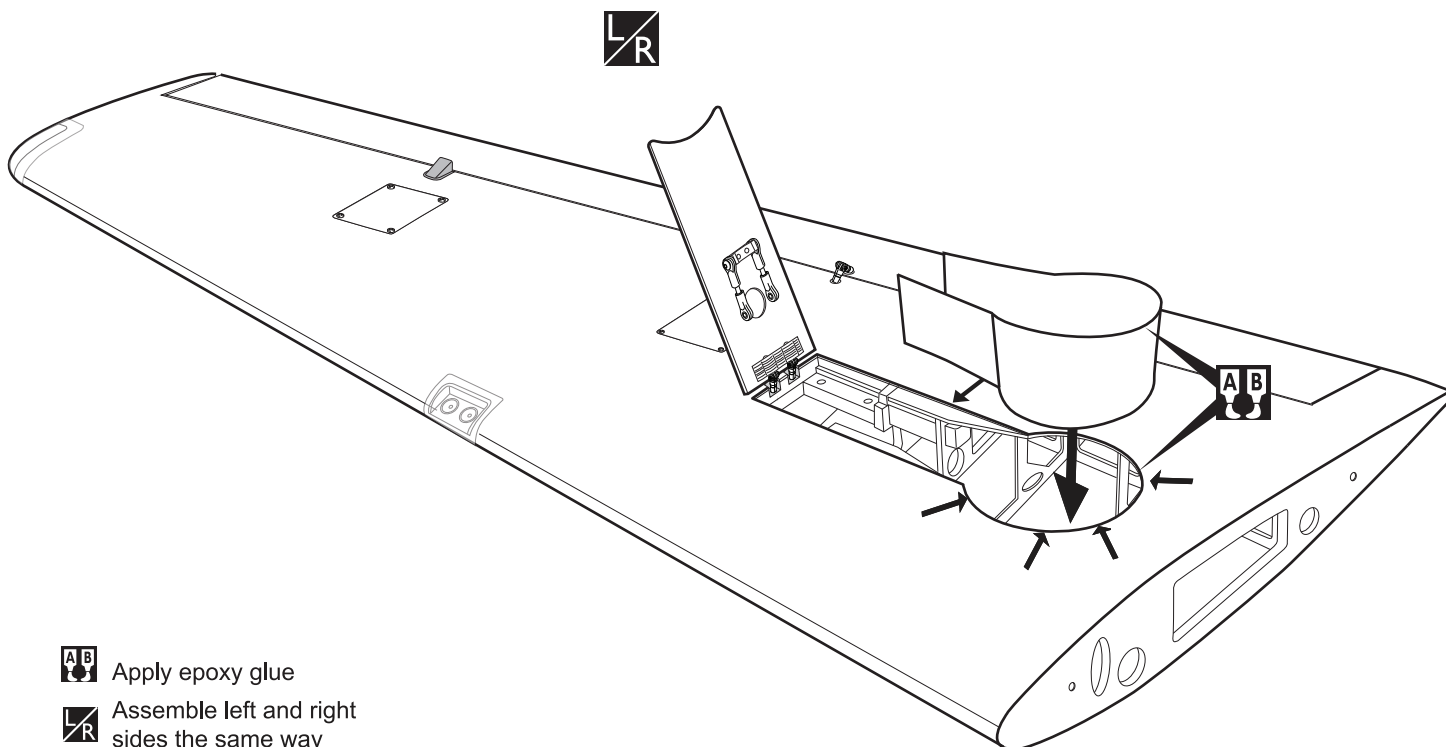
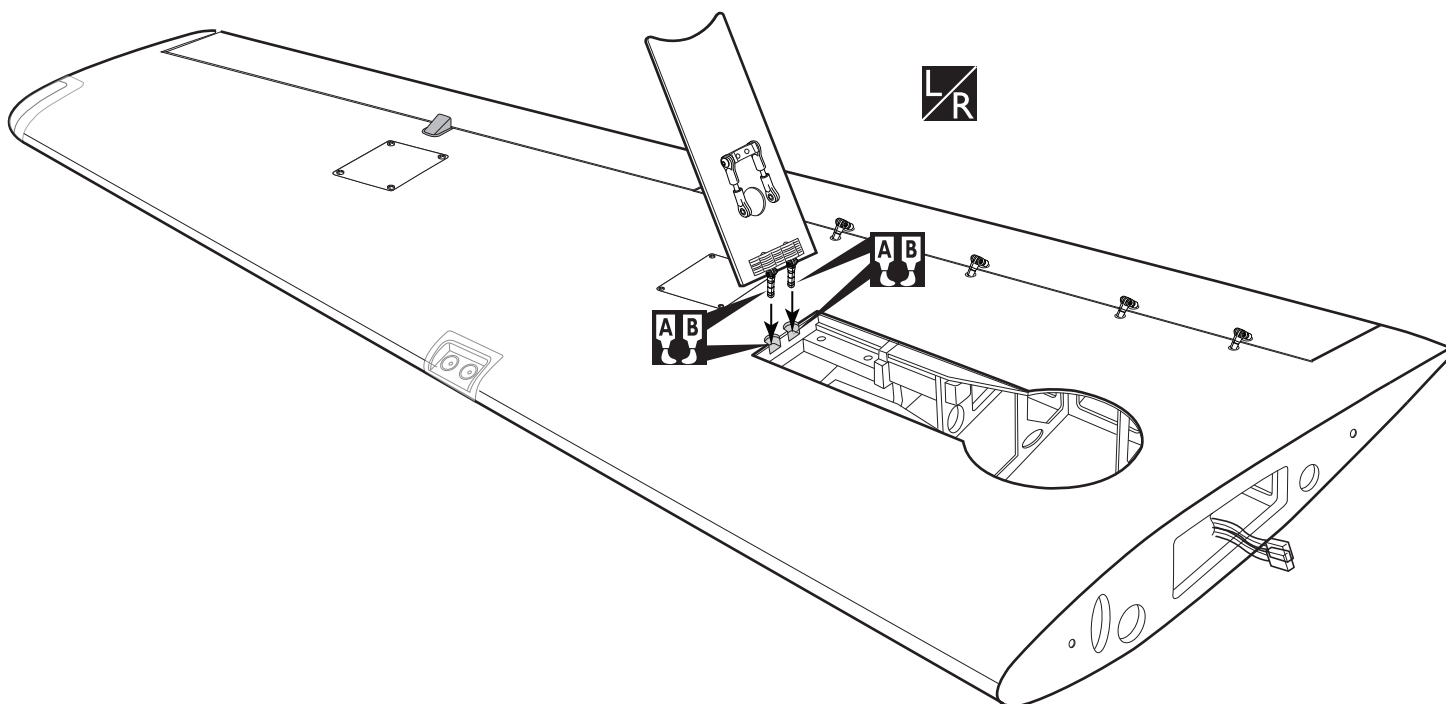
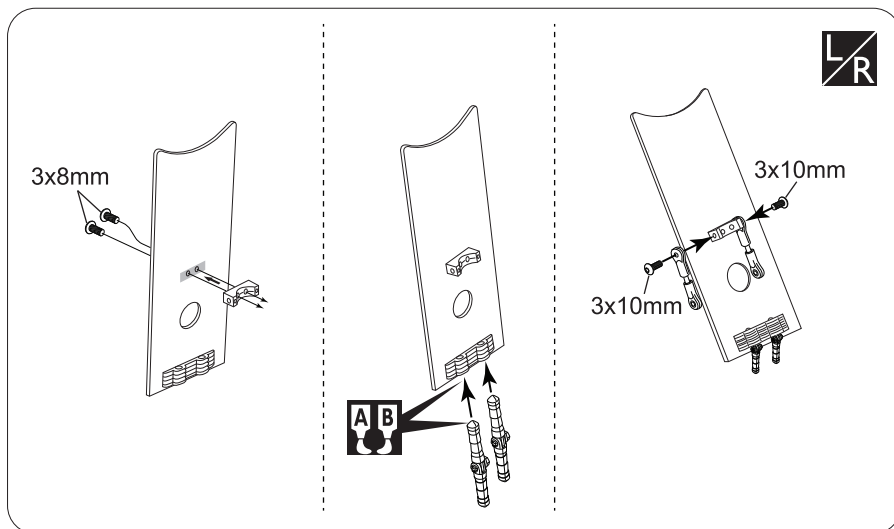
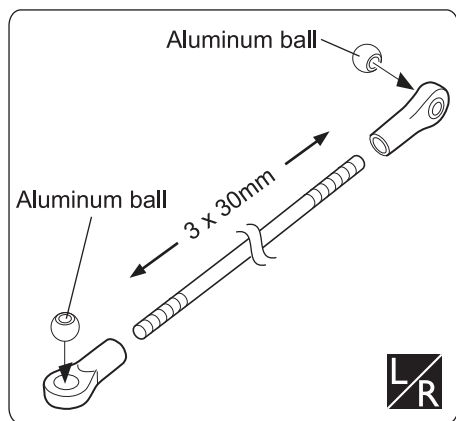
< Wheel well >





 Cut off shaded portion

 Pay close attention here

 Assemble left and right sides the same way



-  Apply epoxy glue
-  Assemble left and right sides the same way

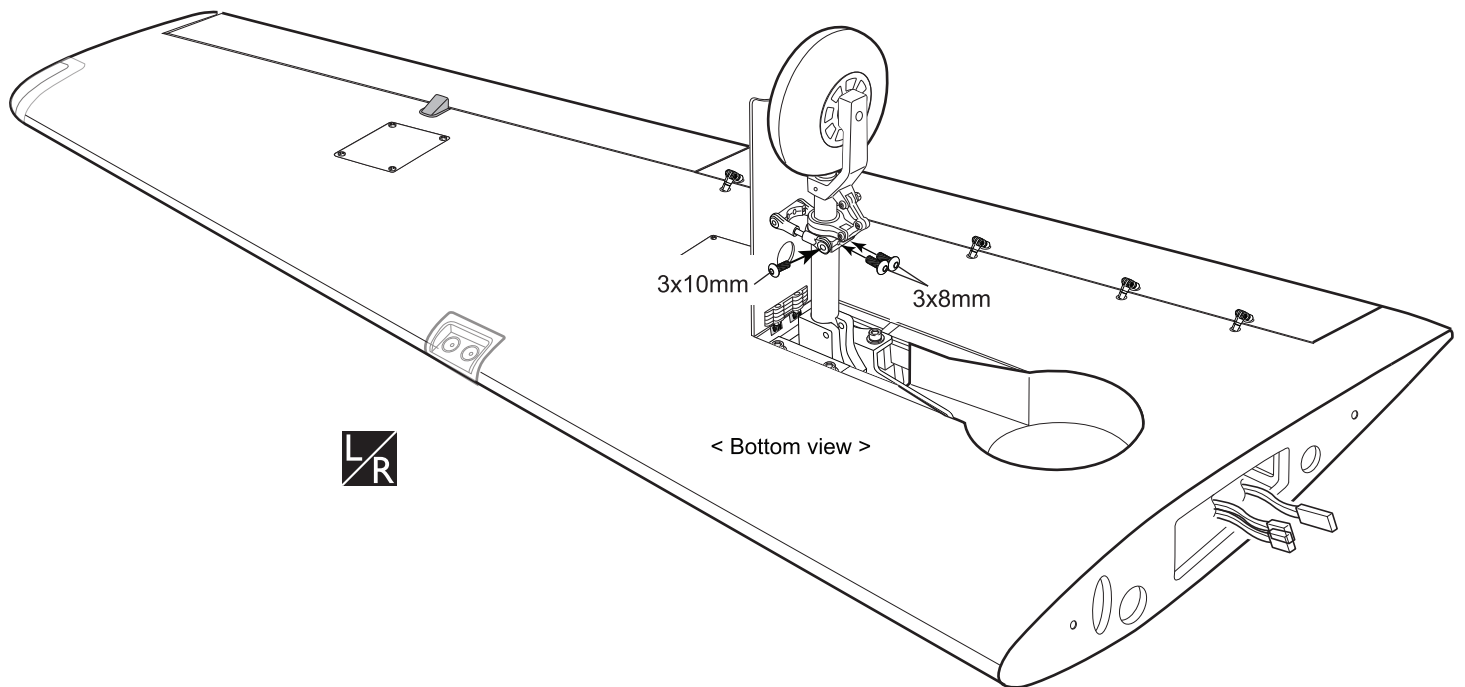
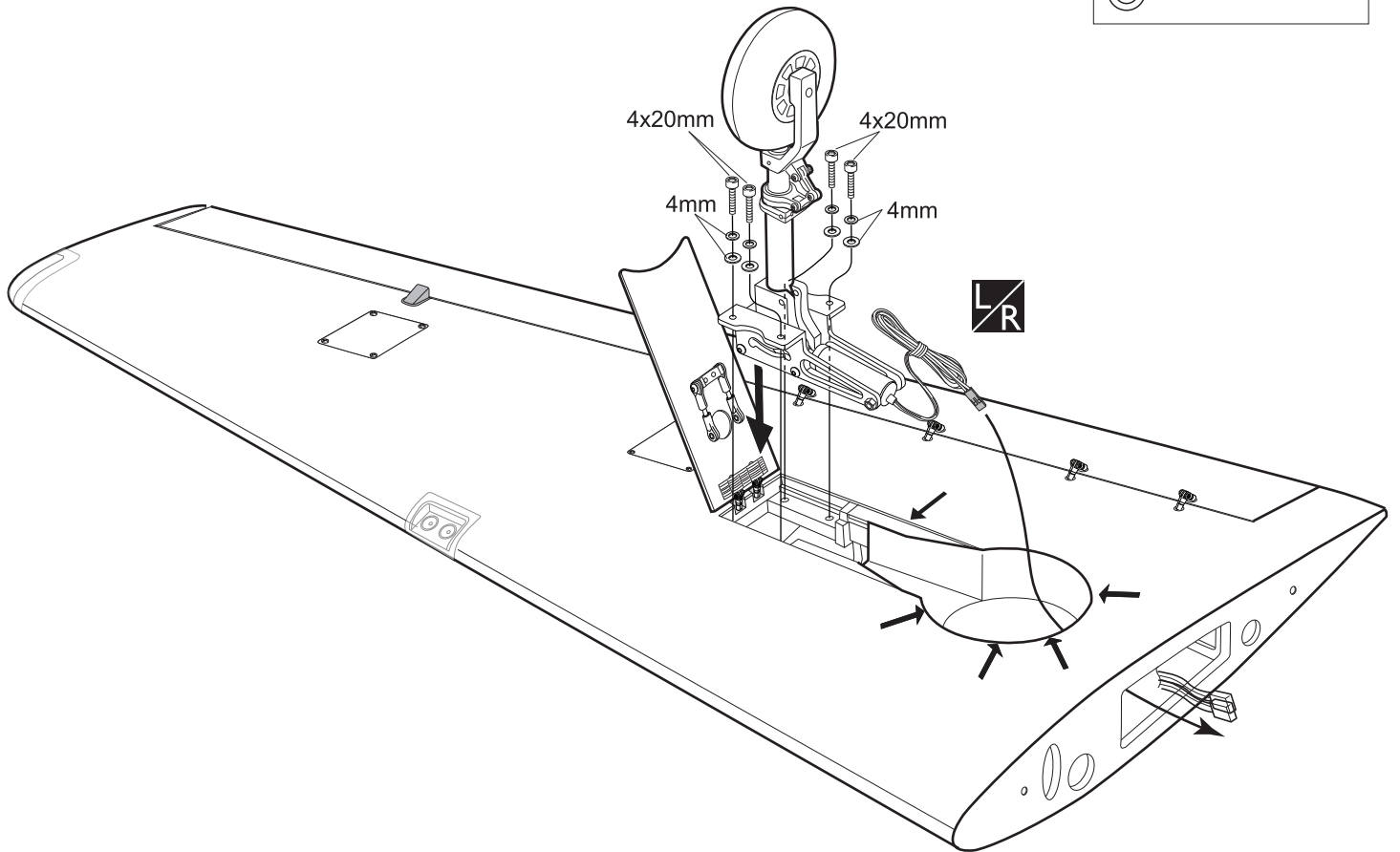
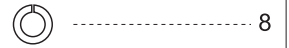
4 x 20mm Cap Screw




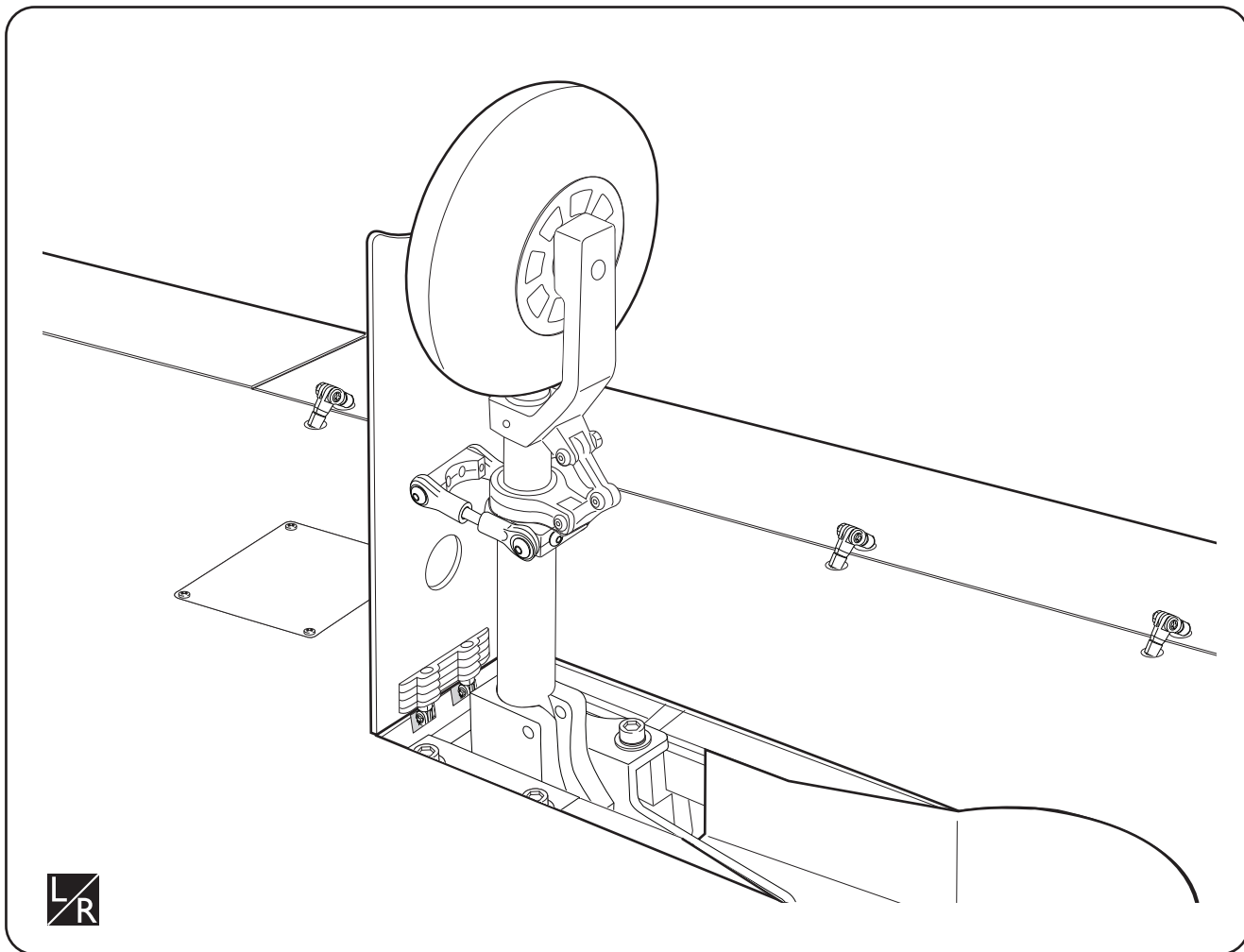
4mm Washer



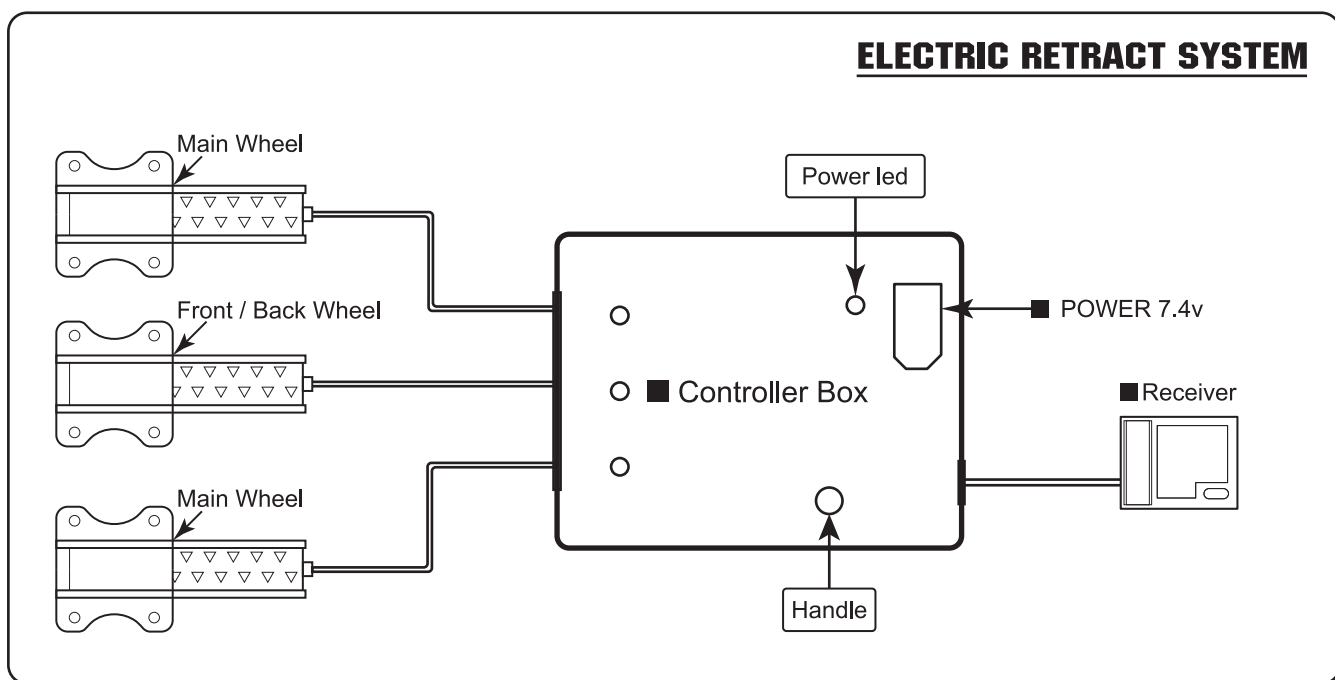
4mm Spring Washer



 Assemble left and right sides the same way

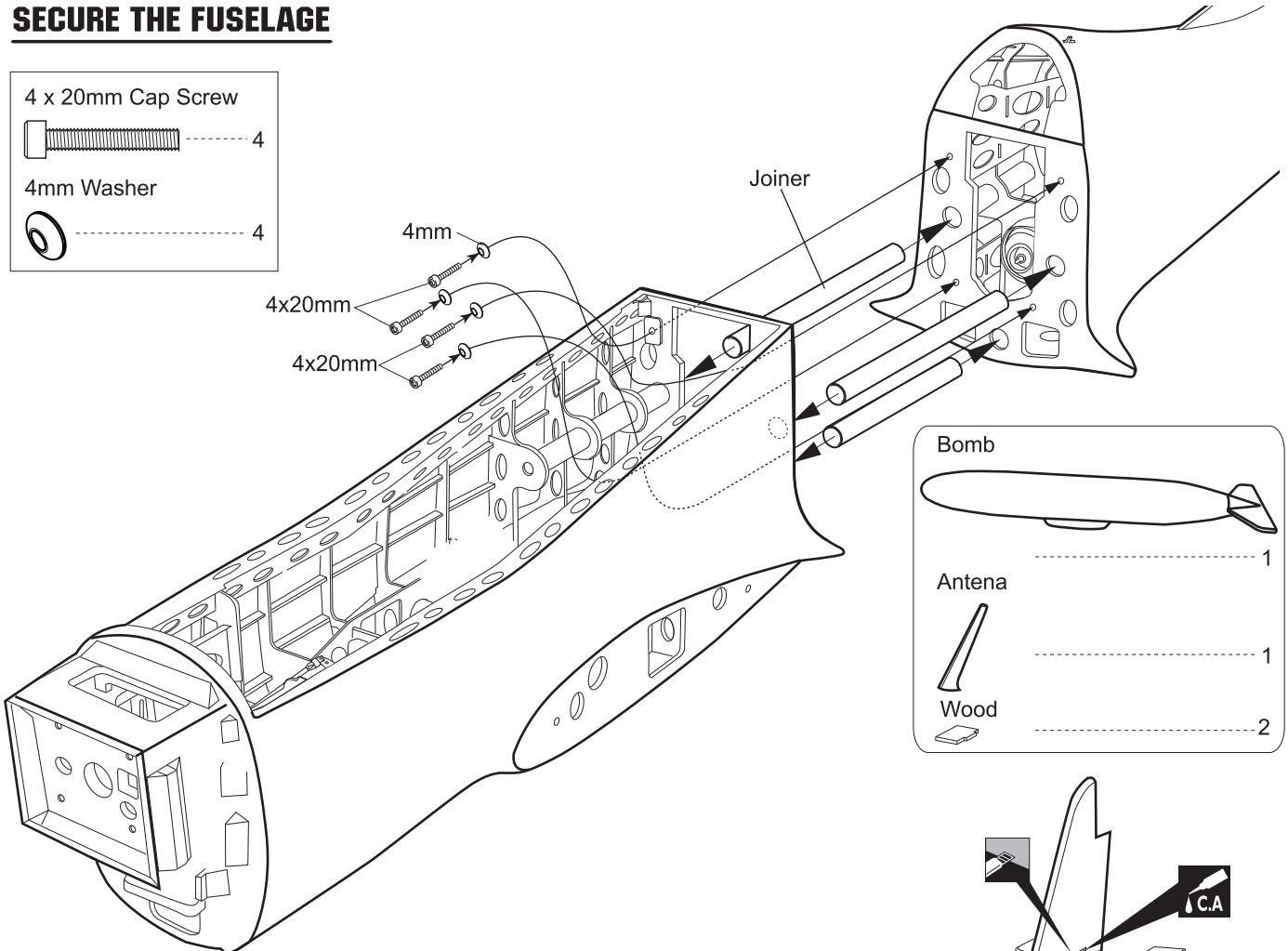


ELECTRIC RETRACT SYSTEM



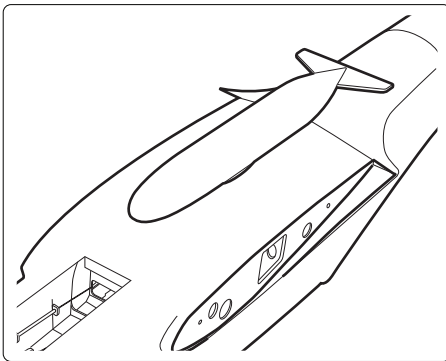
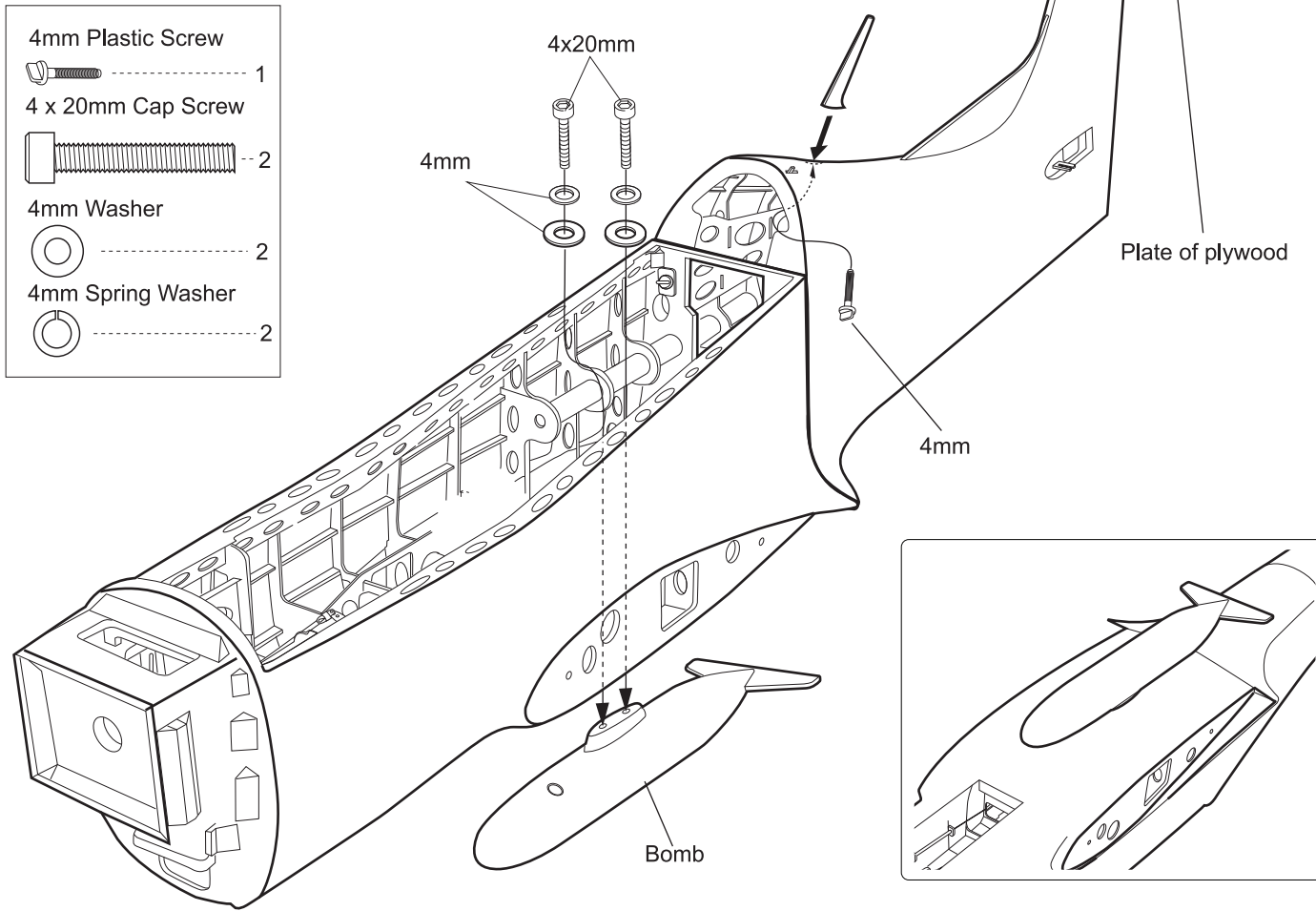
SECURE THE FUSELAGE

- 4 x 20mm Cap Screw
- 4mm Washer



- Bomb
- Antenna
- Wood

- 4mm Plastic Screw
- 4 x 20mm Cap Screw
- 4mm Washer
- 4mm Spring Washer

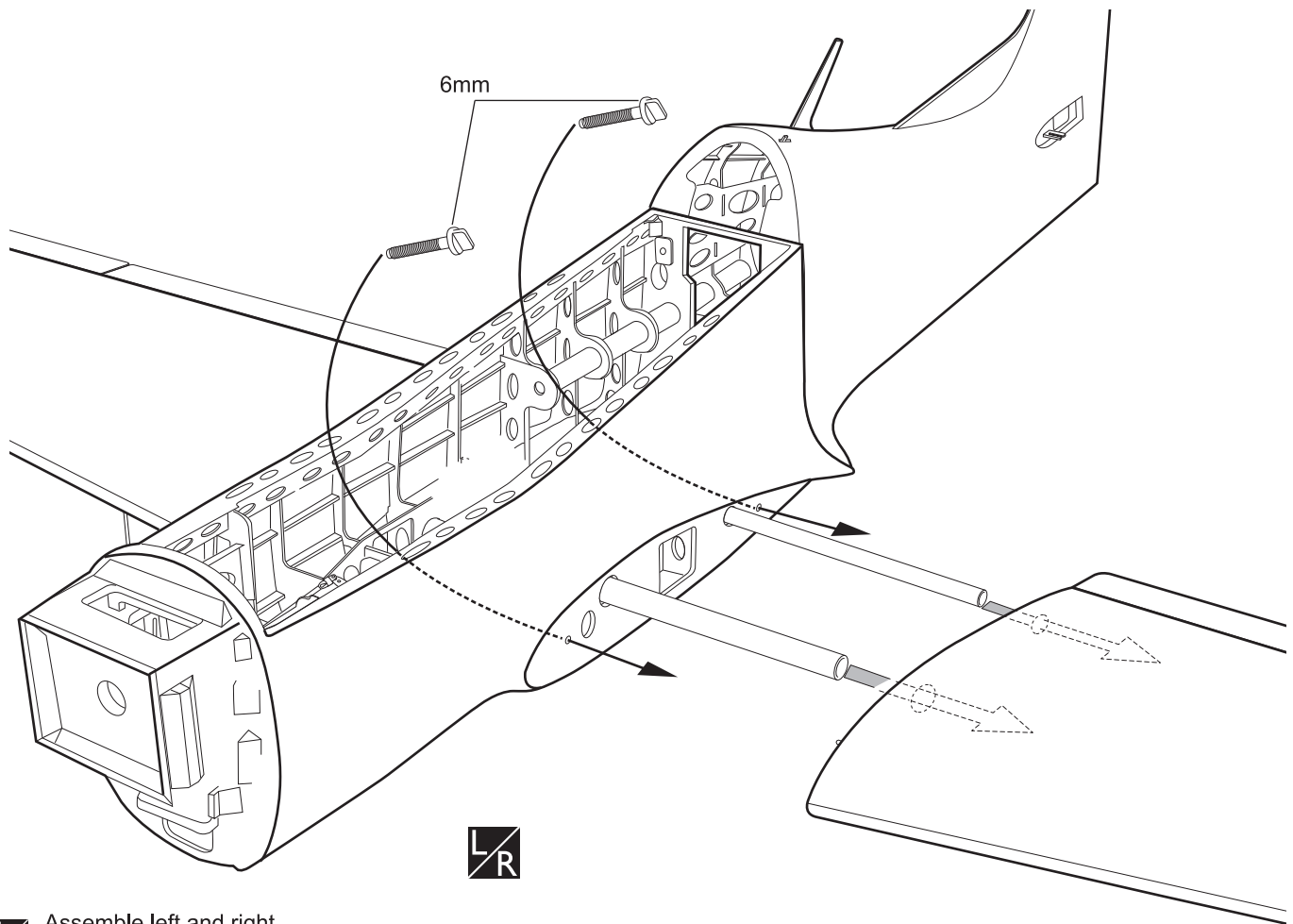
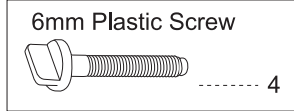



Apply instant glue (CA glue, super glue).

Cut off shaded portion

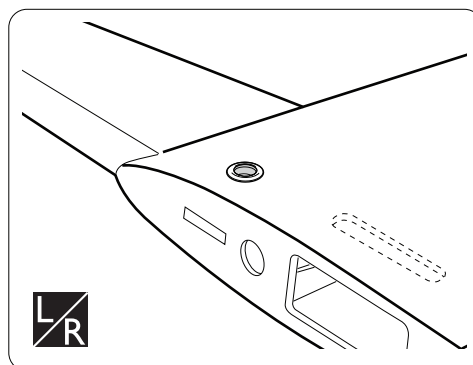
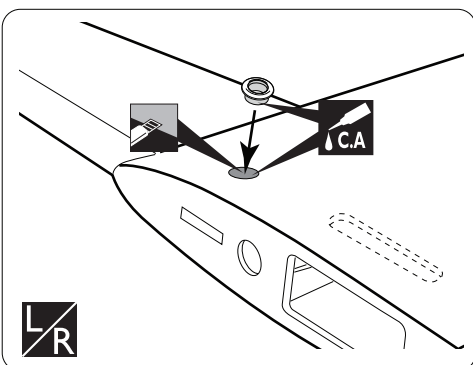
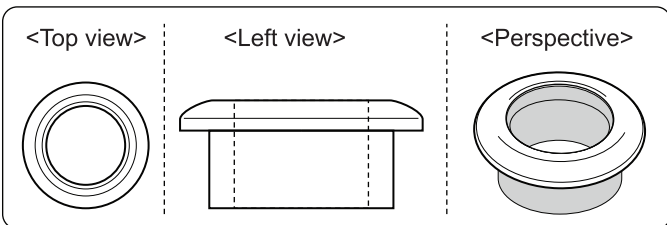
SECURE THE WING TO THE FUSELAGE




Attach the wings to the joiner tube and secure the wing panels to the fuselage.



 Assemble left and right sides the same way.

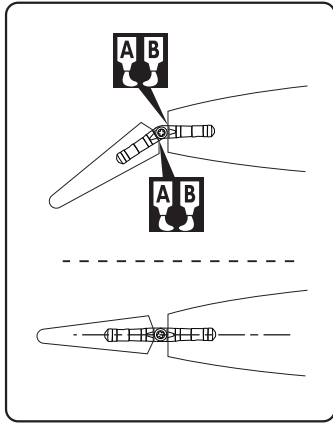
GLUING THE PLASTIC COVER



-  Cut off shaded portion
-  Apply instant glue (CA glue, super glue).
-  Assemble left and right sides the same way

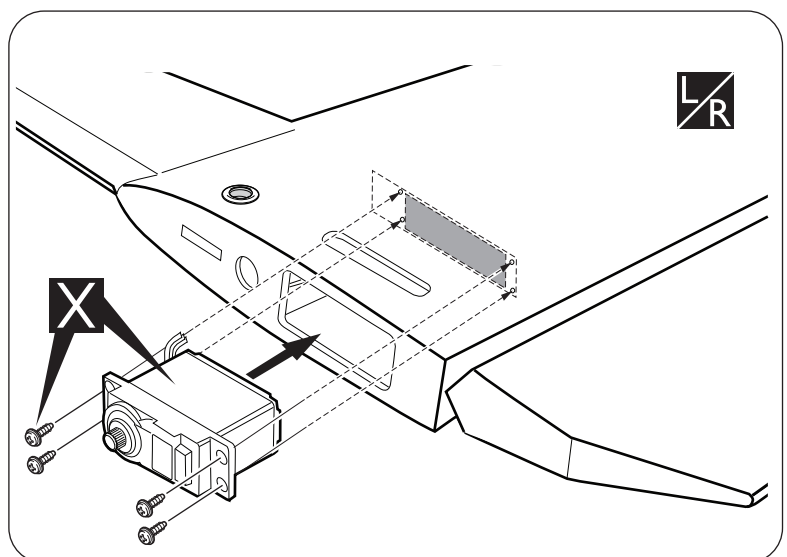
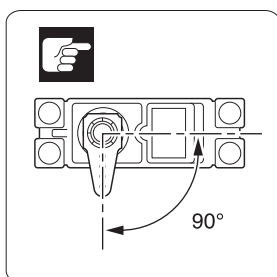
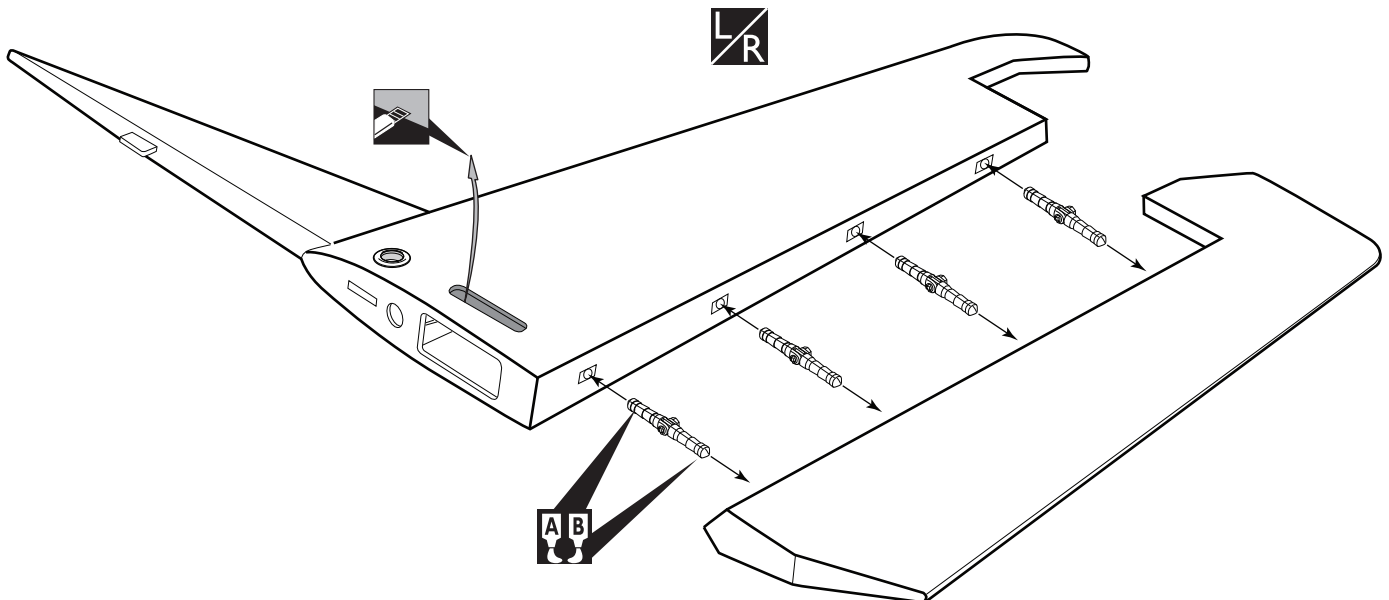
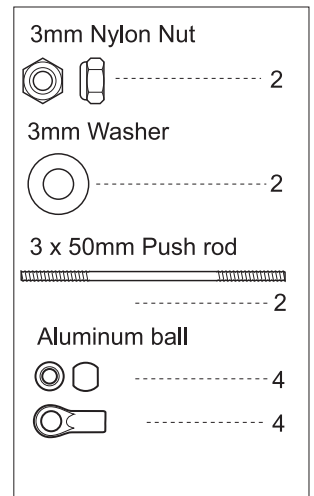
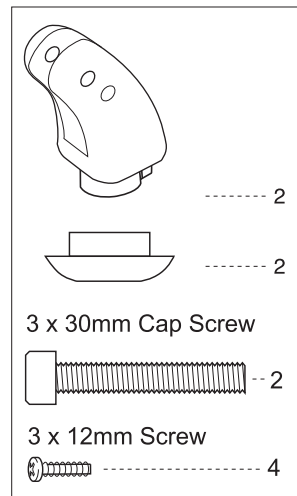
INSTALLING THE ELEVATOR SERVO

1. Remove the covering from the horizontal stabilizer.
2. Install two servo to the horizontal stabilizer as shown.
3. Repeat these step as installing the aileron control horn.

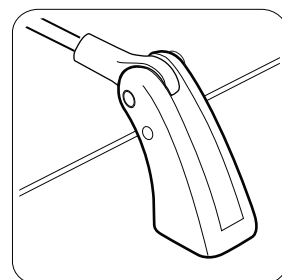
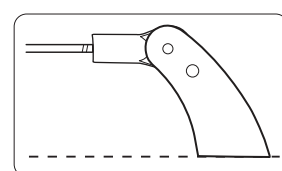
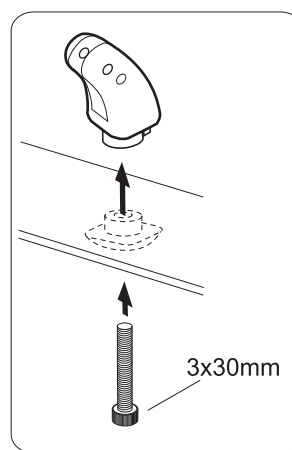
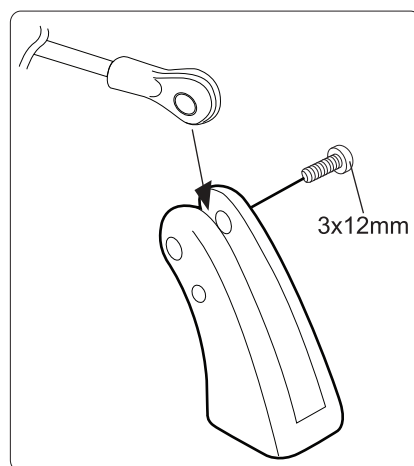
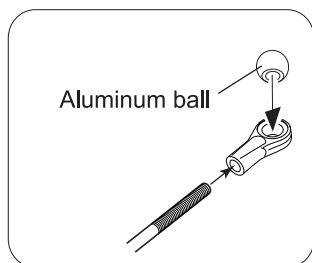
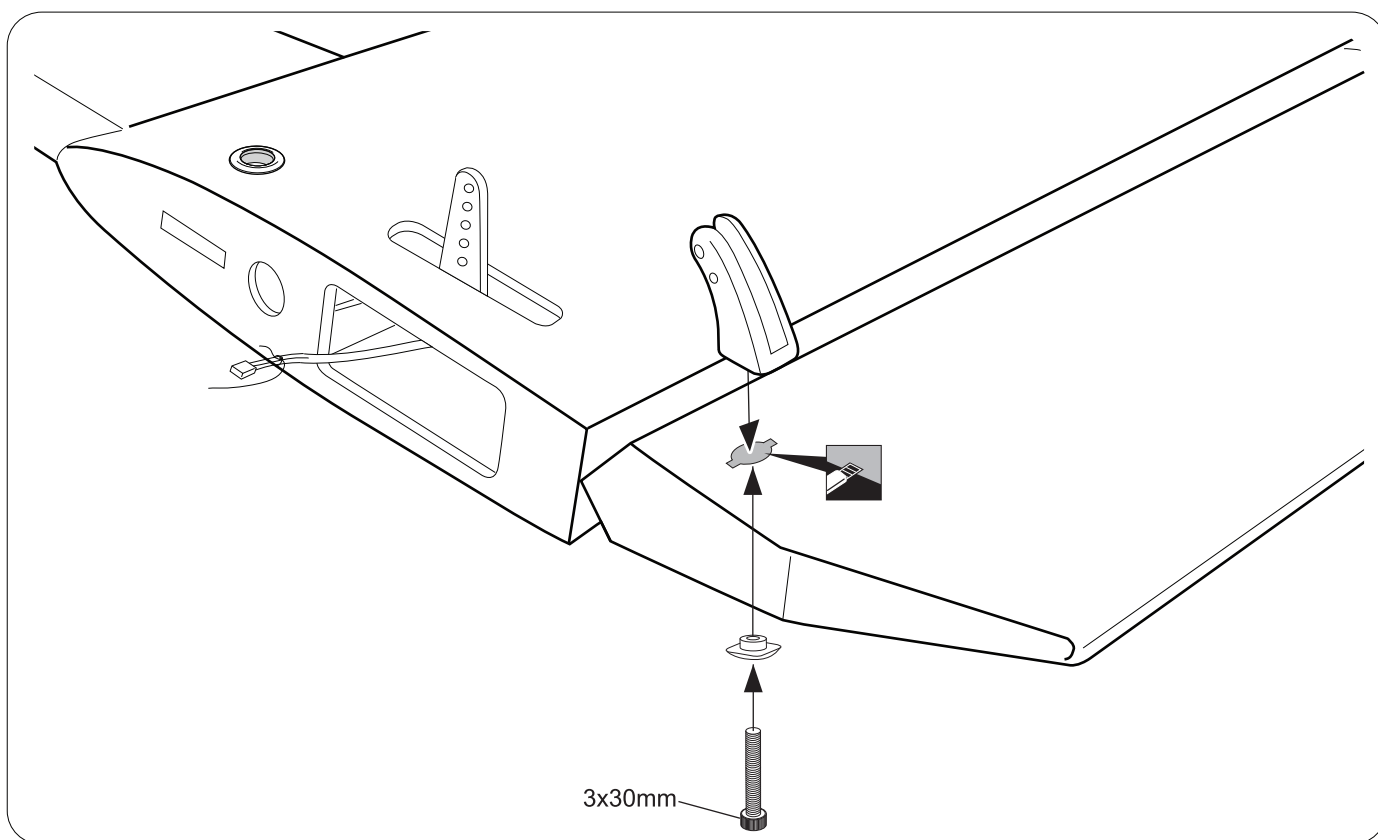
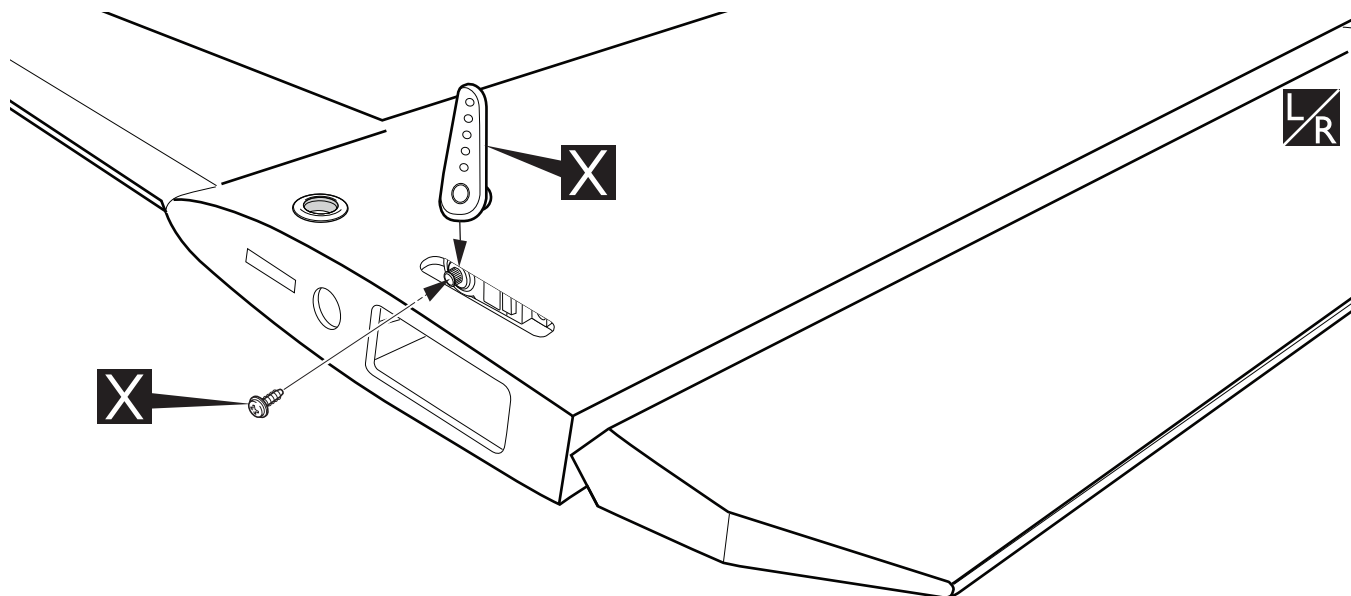


INSTALLING THE ELEVATOR LINKAGES

- Repeat these step as installing the aileron linkages.



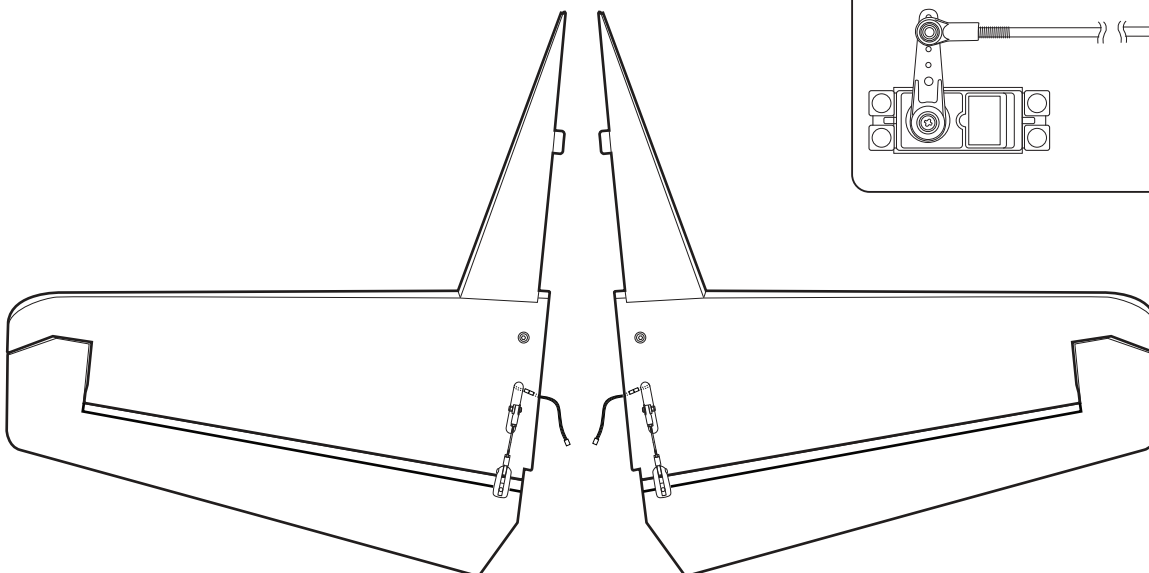
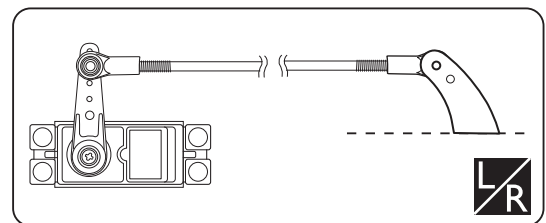
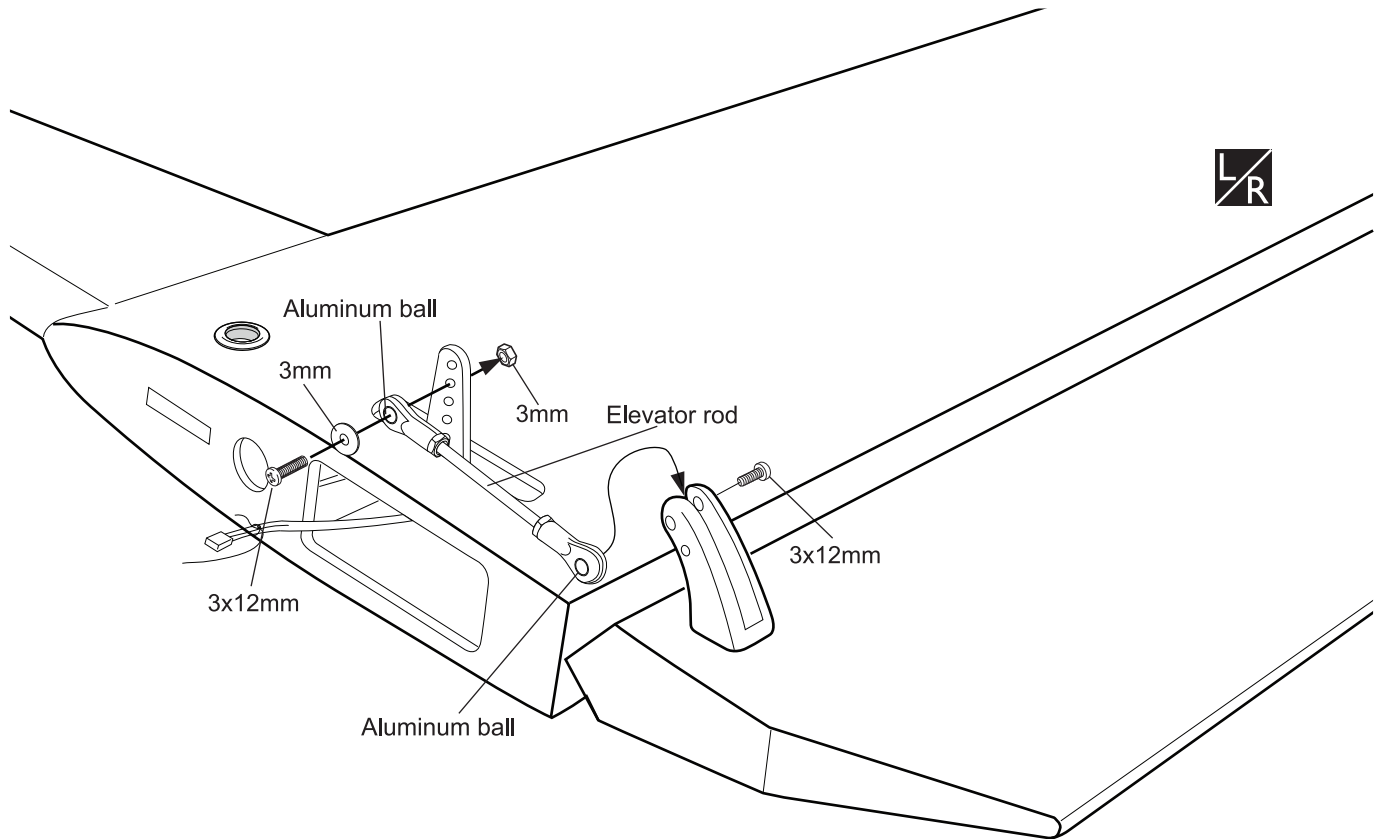
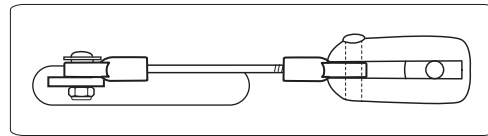
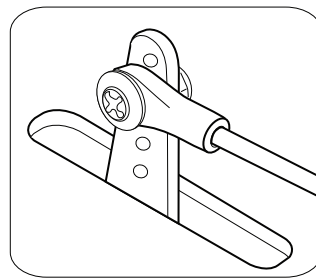
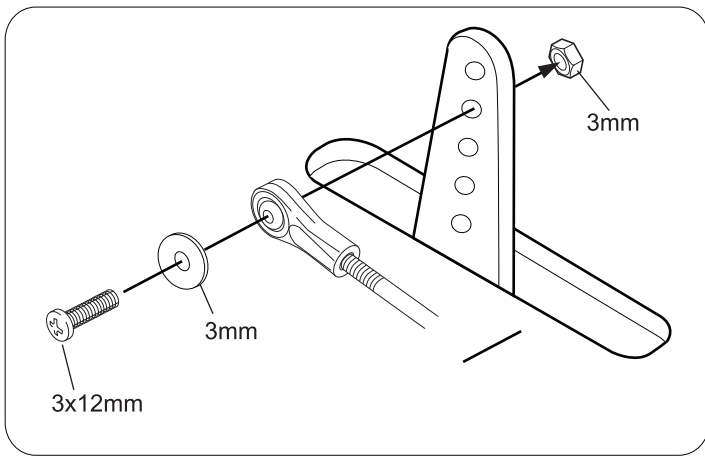
- Apply epoxy glue
- Must be purchased separately!
- Cut off shaded portion
- Assemble left and right sides the same way




Cut off shaded portion

Must be purchased separately!

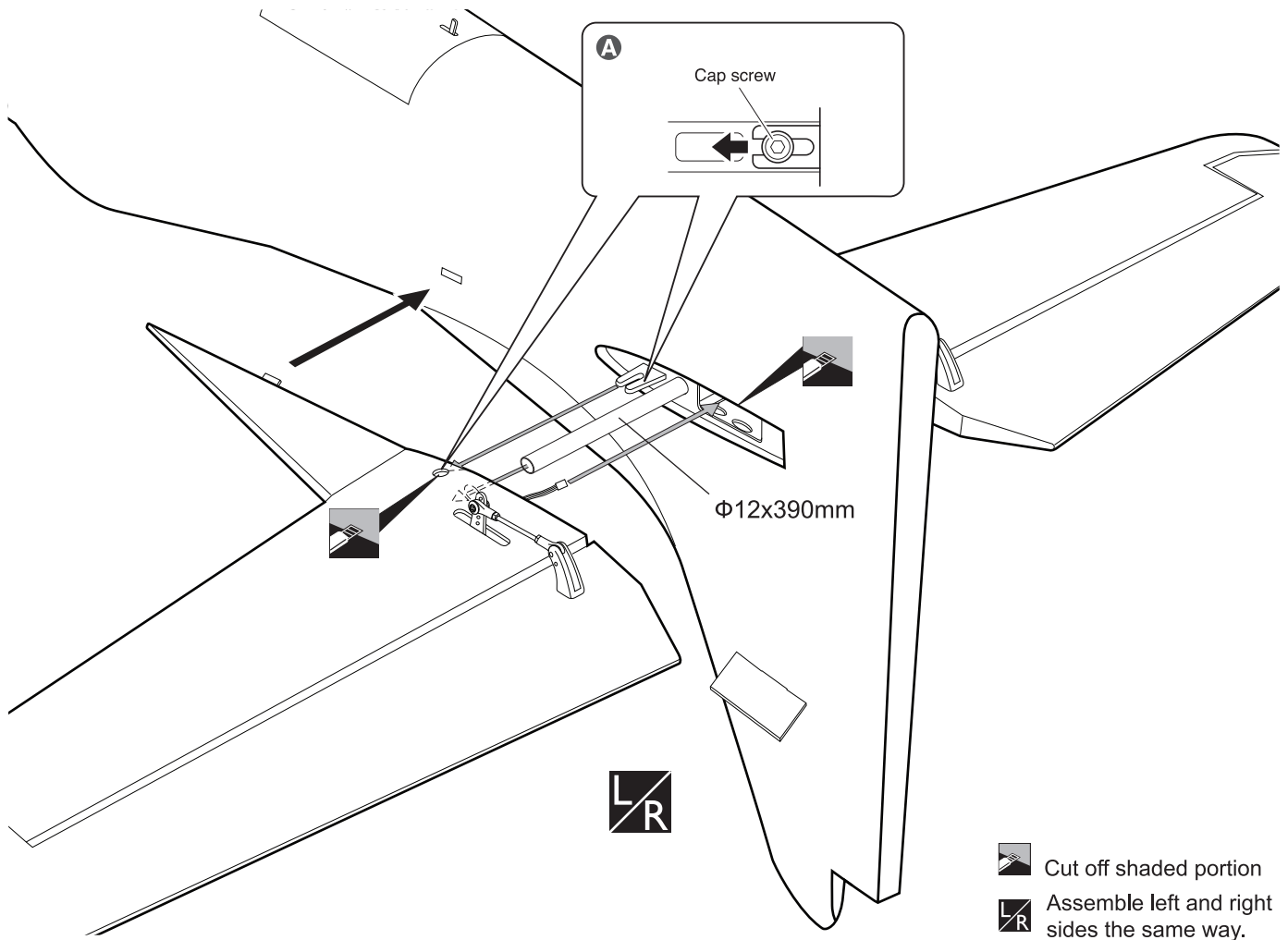
Assemble left and right sides the same way.



 Assemble left and right sides the same way

HORIZONTAL STABILIZER INSTALLATION

A Main wing must be inserted and attached completely before fixing with screw.

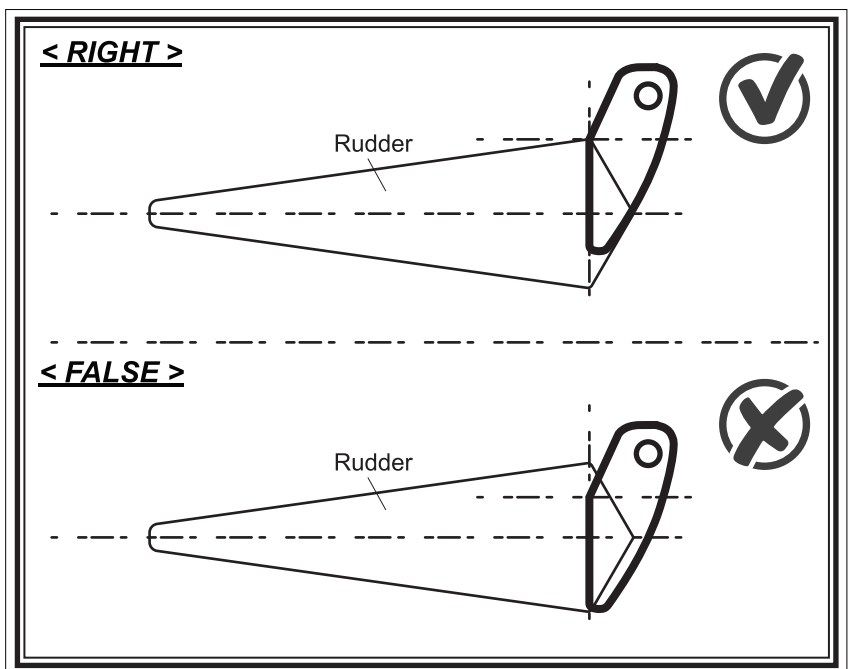


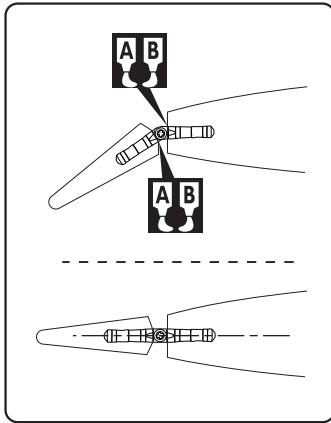
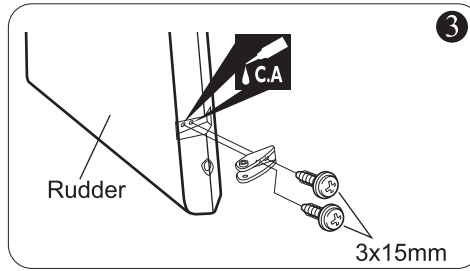
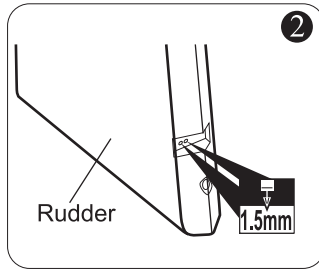
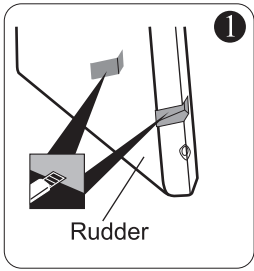
RUDDER INSTALLATION

- 3 x 15mm TP Screw
- 2
- 2 x 10mm TP Screw
- 4



WARNINGS





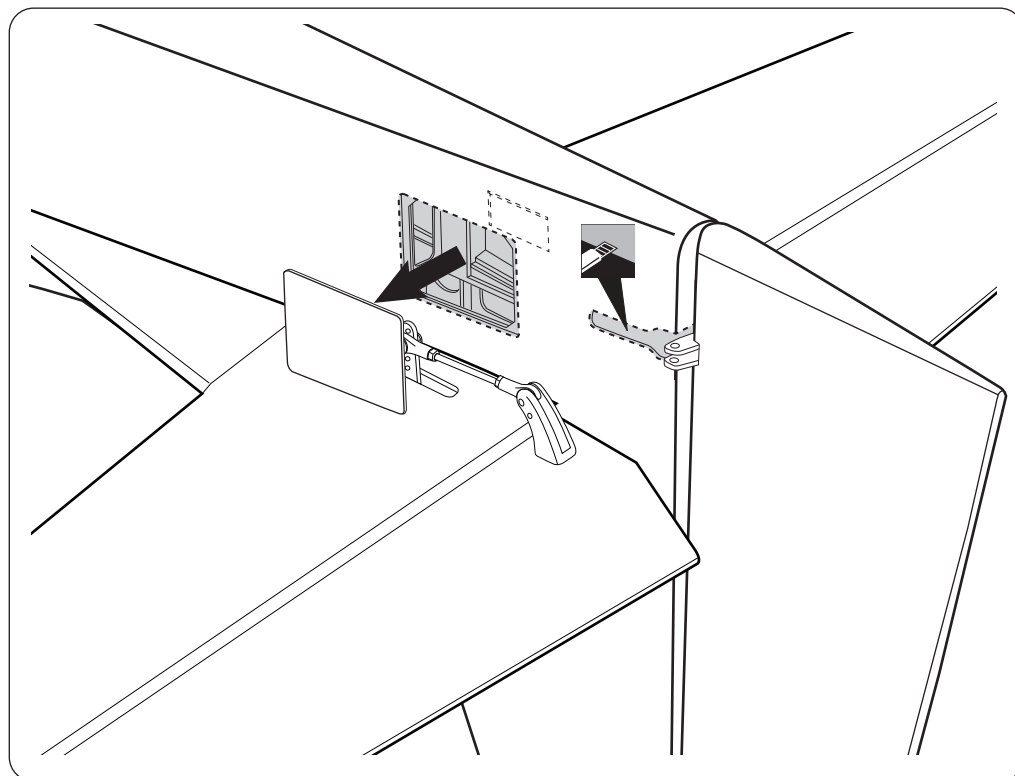
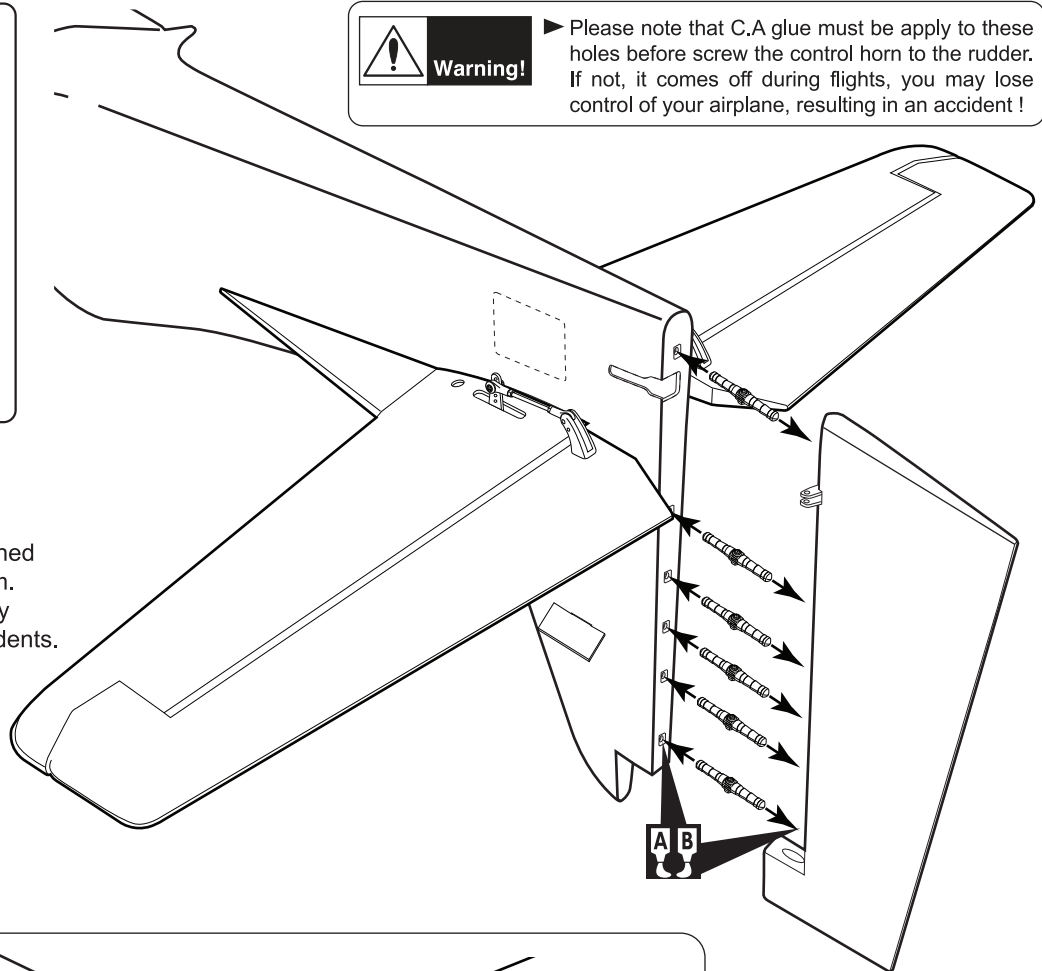
Warning! Please note that C.A glue must be apply to these holes before screw the control horn to the rudder. If not, it comes off during flights, you may lose control of your airplane, resulting in an accident !







► Make certain plane is aligned accurately per the diagram. A mis-aligned plane can fly erratically and cause accidents.



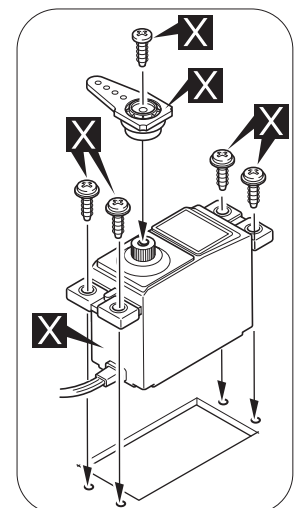
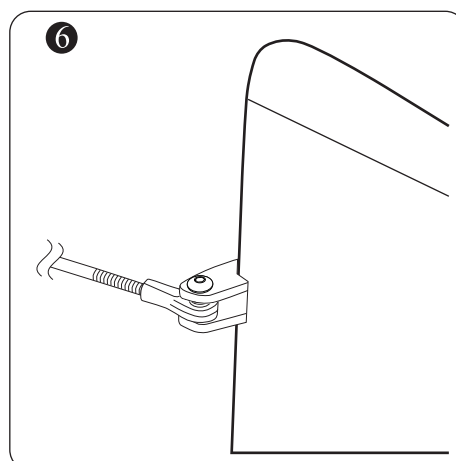
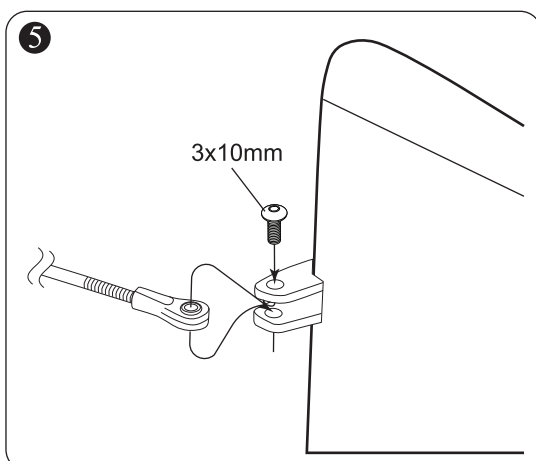
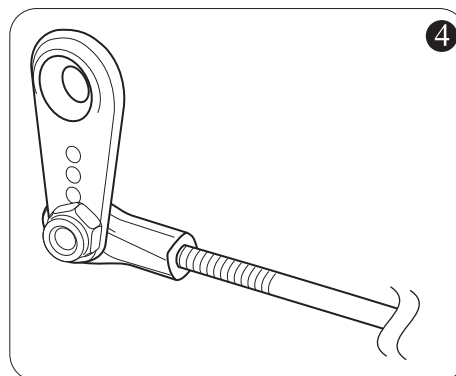
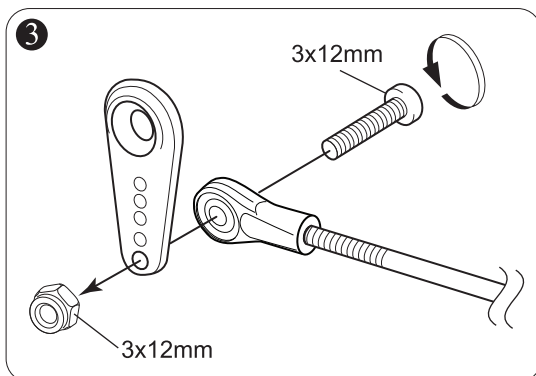
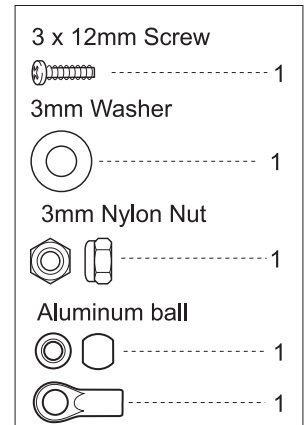
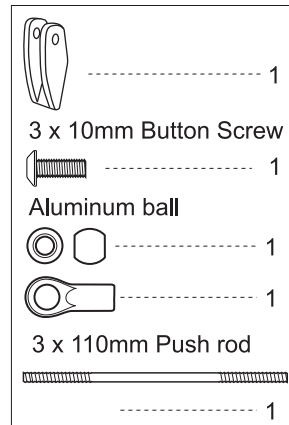
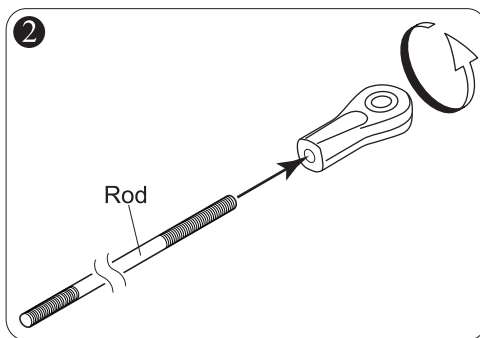
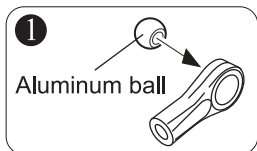
► Take off the main wing after put a rudder.



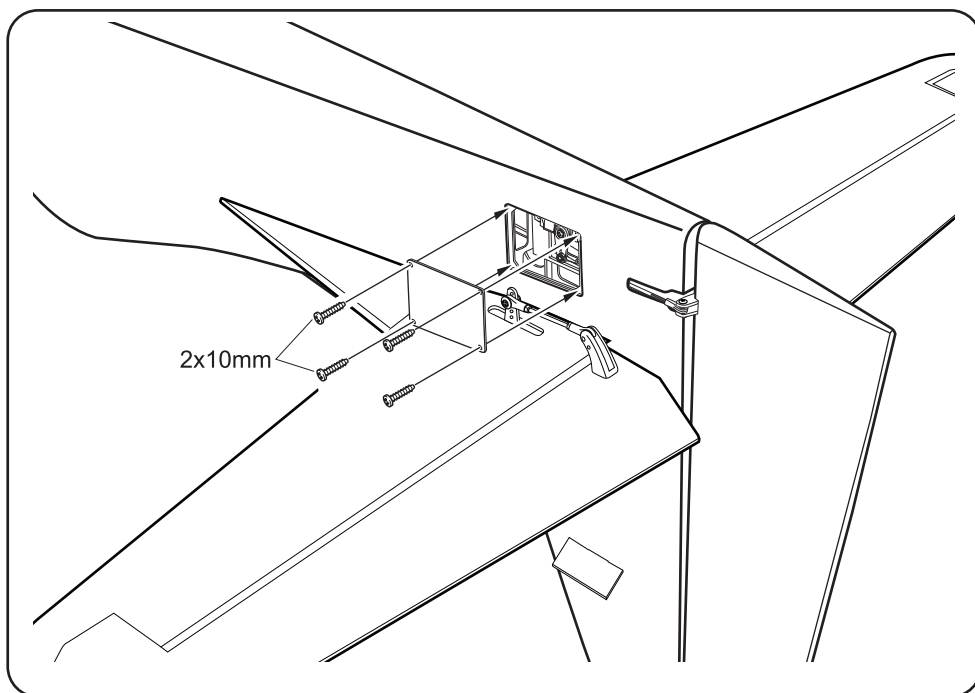
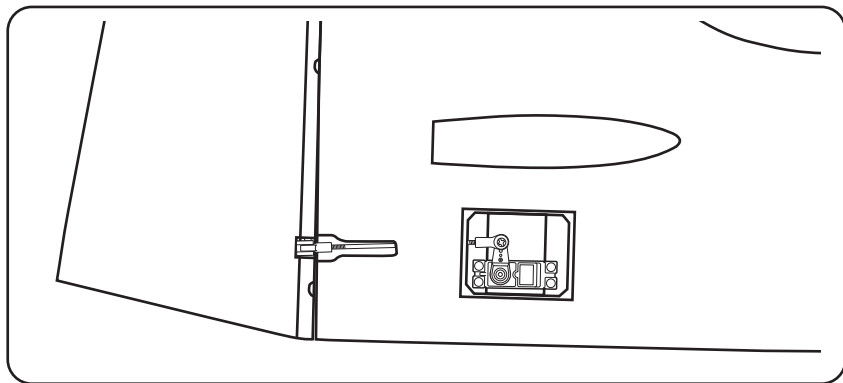
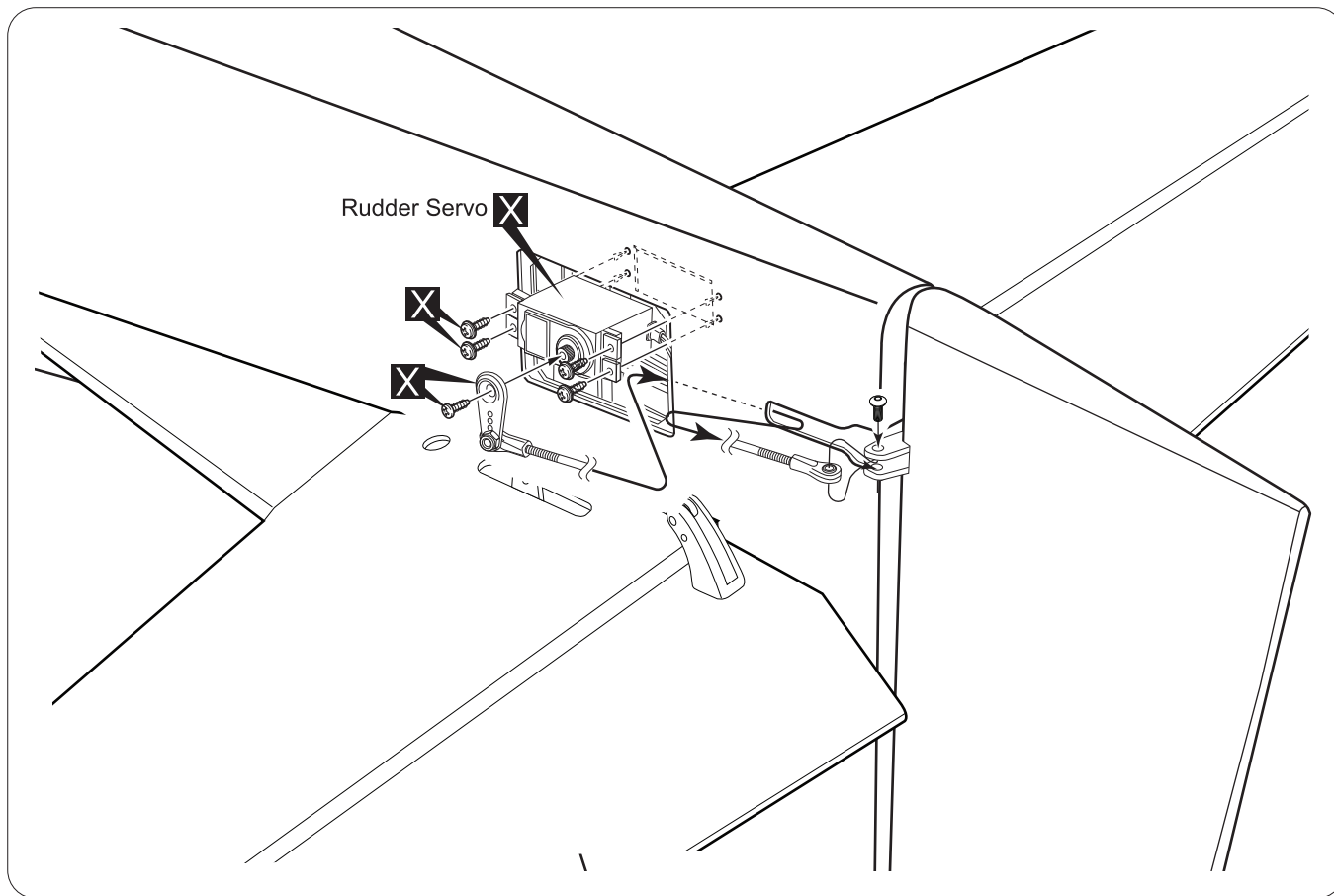
-  Cut off shaded portion
-  Drill holes with the specified diameter.
-  Apply epoxy glue
-  Apply instant glue (CA glue, super glue).

INSTALLING THE RUDDER PUSHROD

1. Locate the pushrod exit slot on the left side of the fuselage.
2. Carefully cut away the covering material from the slot.
3. Working from inside the fuselage, slide the threaded end of the remaining pushrod down the inside of the fuselage until the pushrod reaches the exit slot. Carefully reach in with a small screw driver and guide the pushrod out of the exit slot.
4. Install the nylon clevis on the rudder pushrod. Make sure 6mm of thread shows inside the clevis.
5. The control horn should be mounted on the left side of the rudder.
6. Attach nylon clevis to the control horn.
7. Locate one nylon servo arm, and using wire cutters, remove all but one of the arms using a 2mm drill bit, enlarge the third hole out from the center to accommodate the rudder pushrod wire.
8. Plug the rudder servo into the receiver and center the servo. Install the servo arm onto the servo.
9. Center the rudder and hold it in place using a piece of masking tape.
10. With the rudder and rudder servo centered, carefully place a mark on the rudder pushrod wire where it crosses the hole in the servo arm.
11. Using a pliers, carefully make a 90 degree bend up at the mark made. Cut off excess wire, leaving about 6mm beyond the bend.
12. Insert the 90 degree bend up through the hole in the servo arm. Install one nylon snap keeper over the wire to secure it to the arm. Install the servo arm retaining screw and remove the masking tape from the rudder.
13. Using thick CA glue, secure the pushrod sleeves to the pushrod sleeve guide.

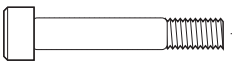


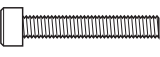







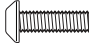



X Must be purchased separately!

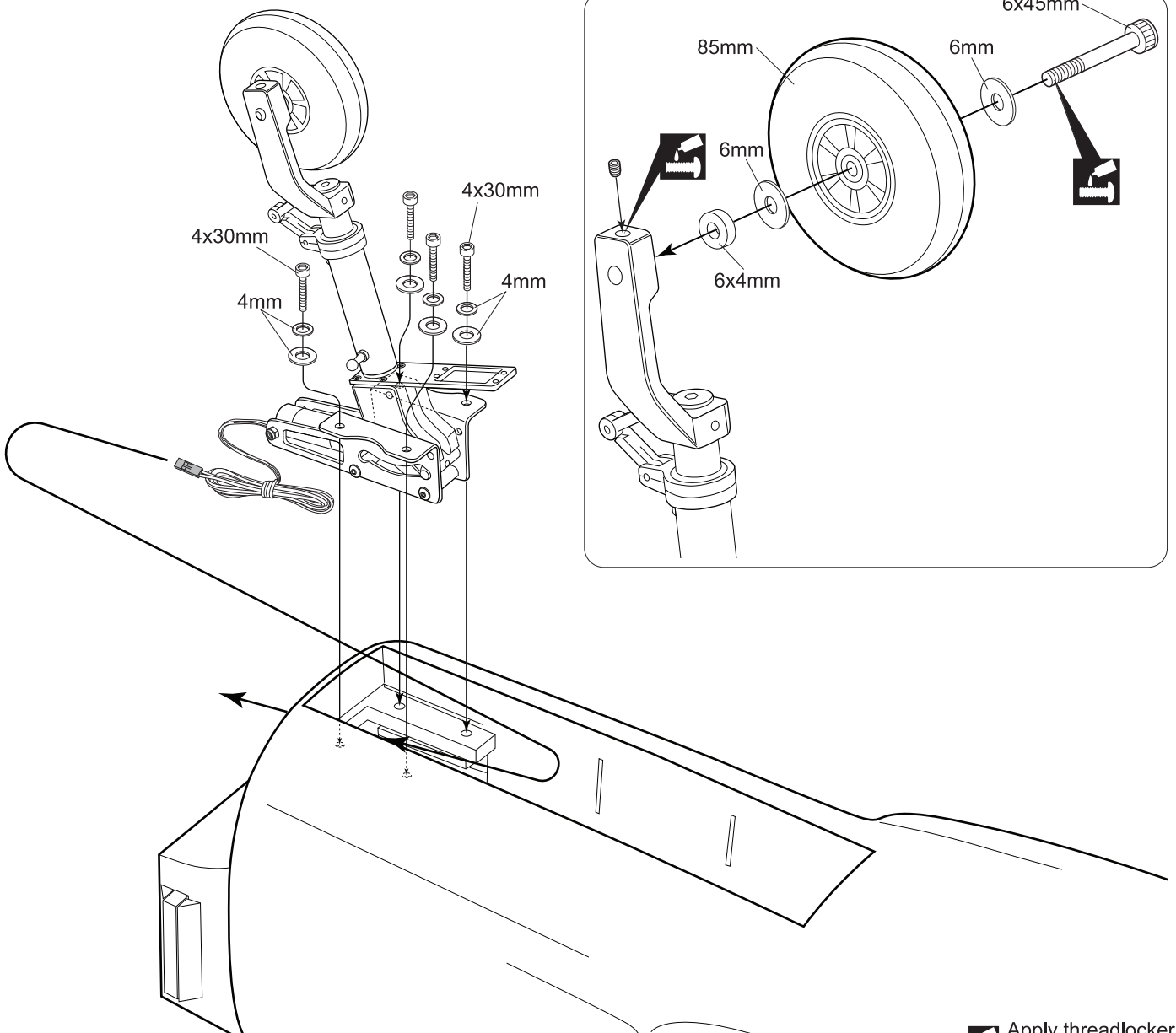
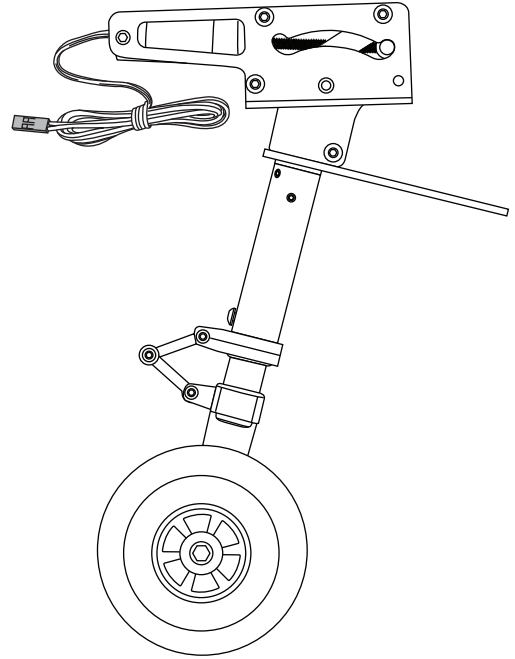



☒ Must be purchased separately!

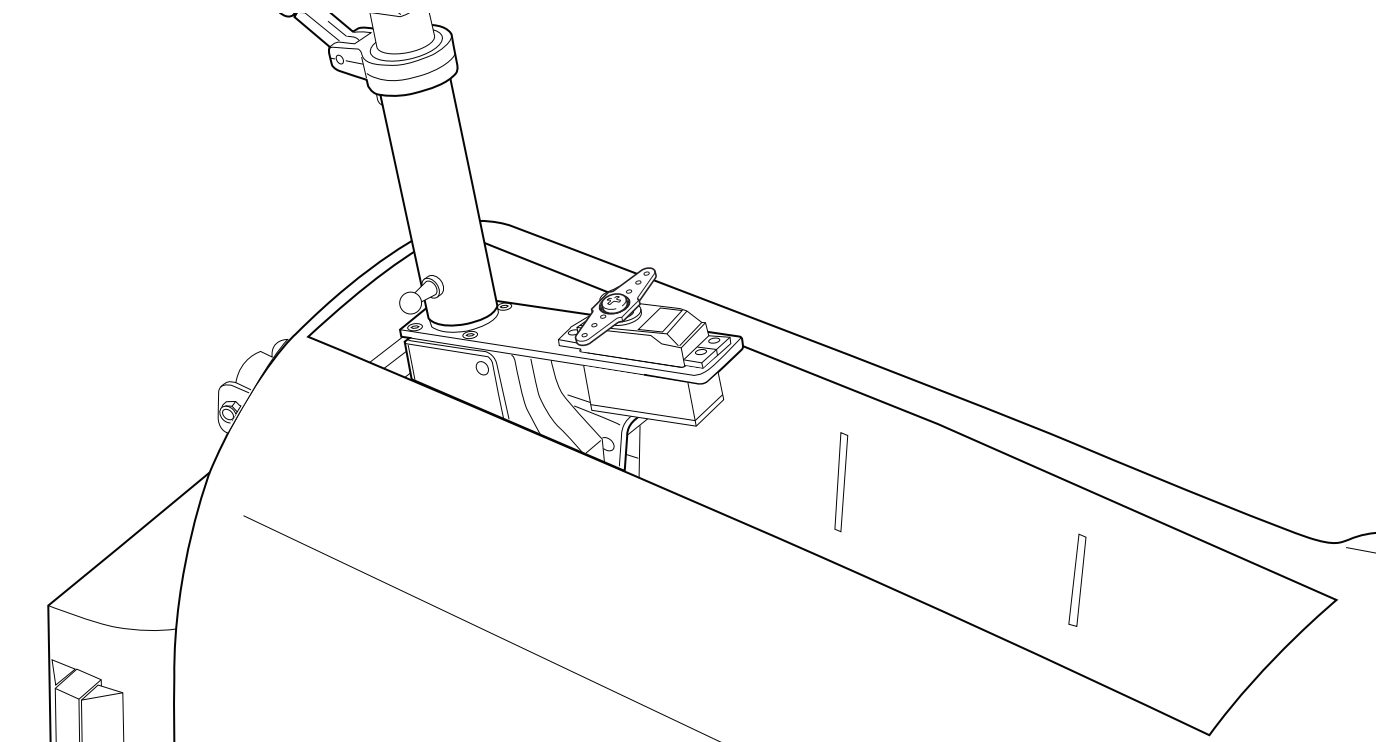
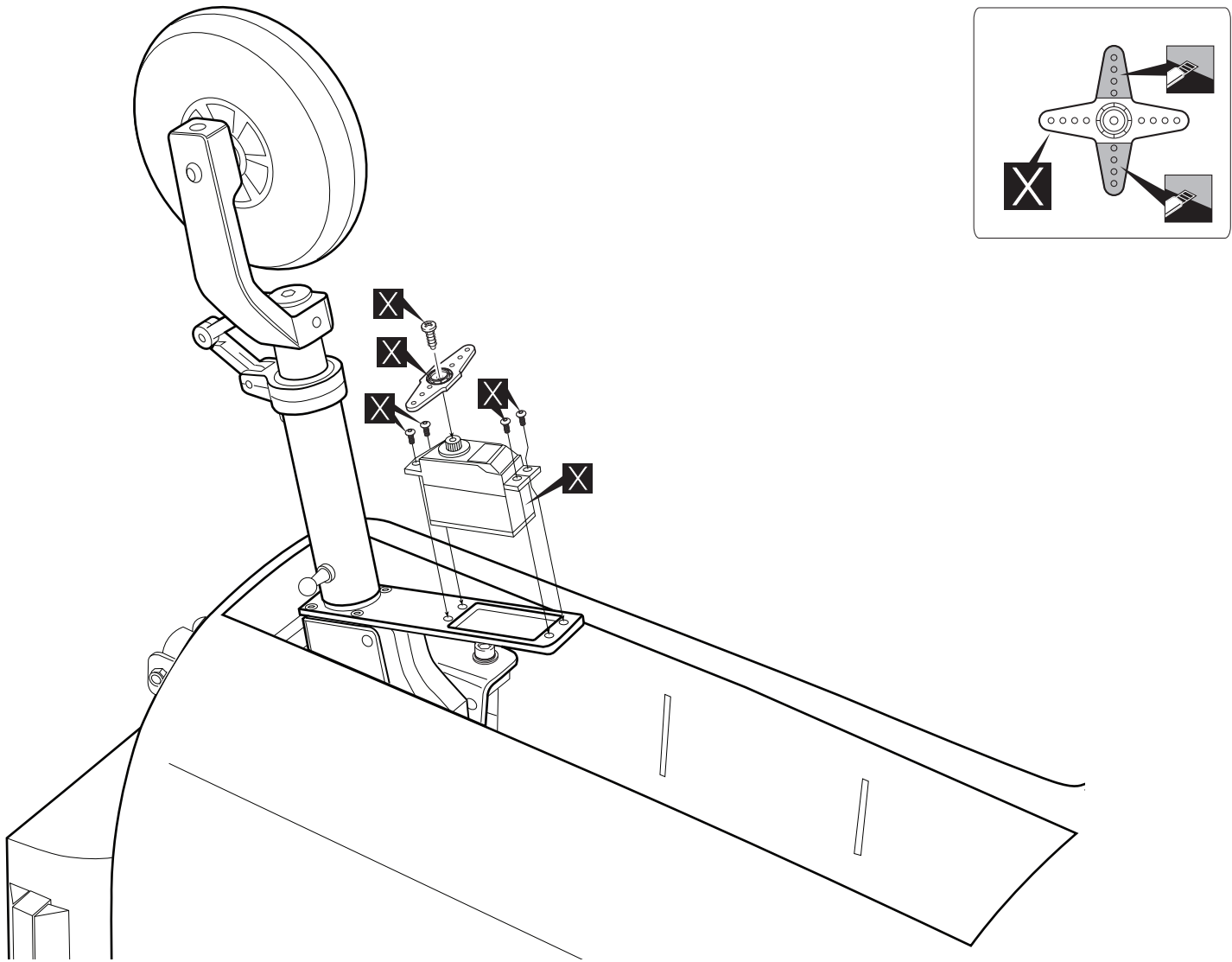
INSTALLING THE NOSE GEAR RETRACT

- 6 x 45mm Cap Screw  1
- 6mm Washer  2
- 6x4mm  1
- 4 x 30mm Cap Screw  4
- 4mm Washer  4
- 4mm Spring Washer  4


- Aluminum ball  2
-  2
-  4
- 3 x 12mm Button Screw  2
- 3mm Nylon Nut  2
- 3mm Washer  2
- 3 x 55mm Push rod  2

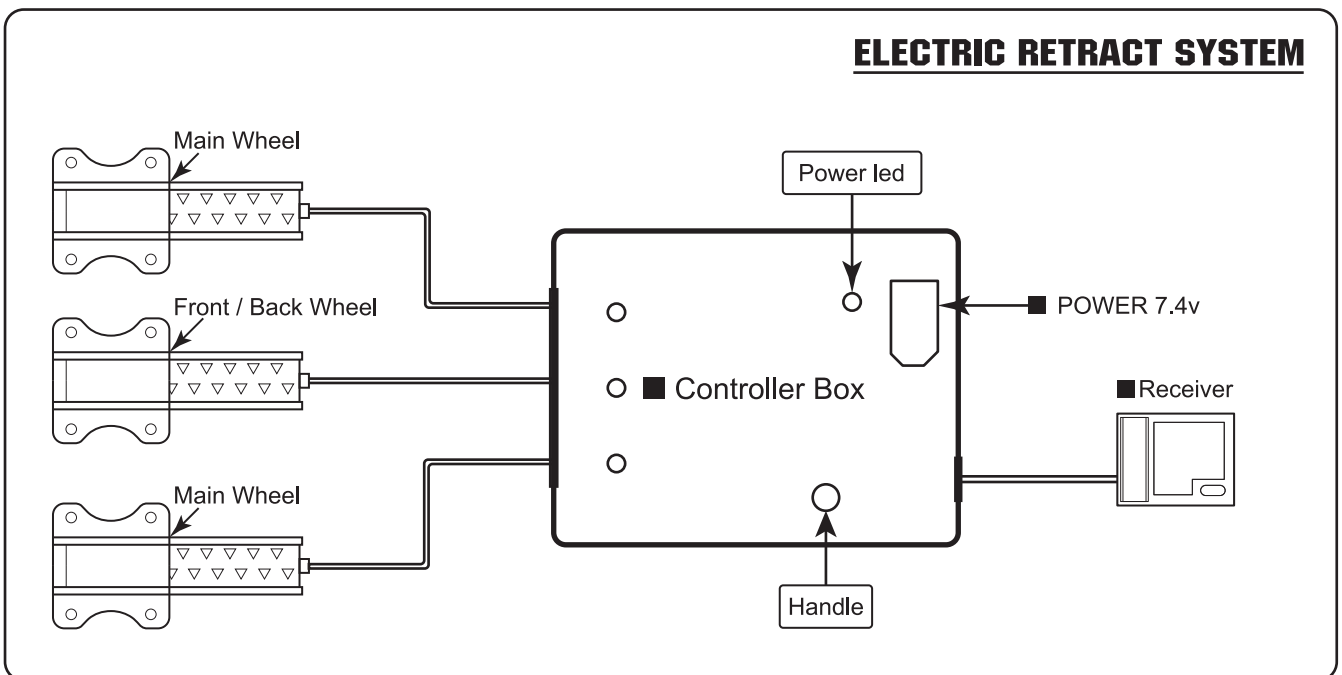
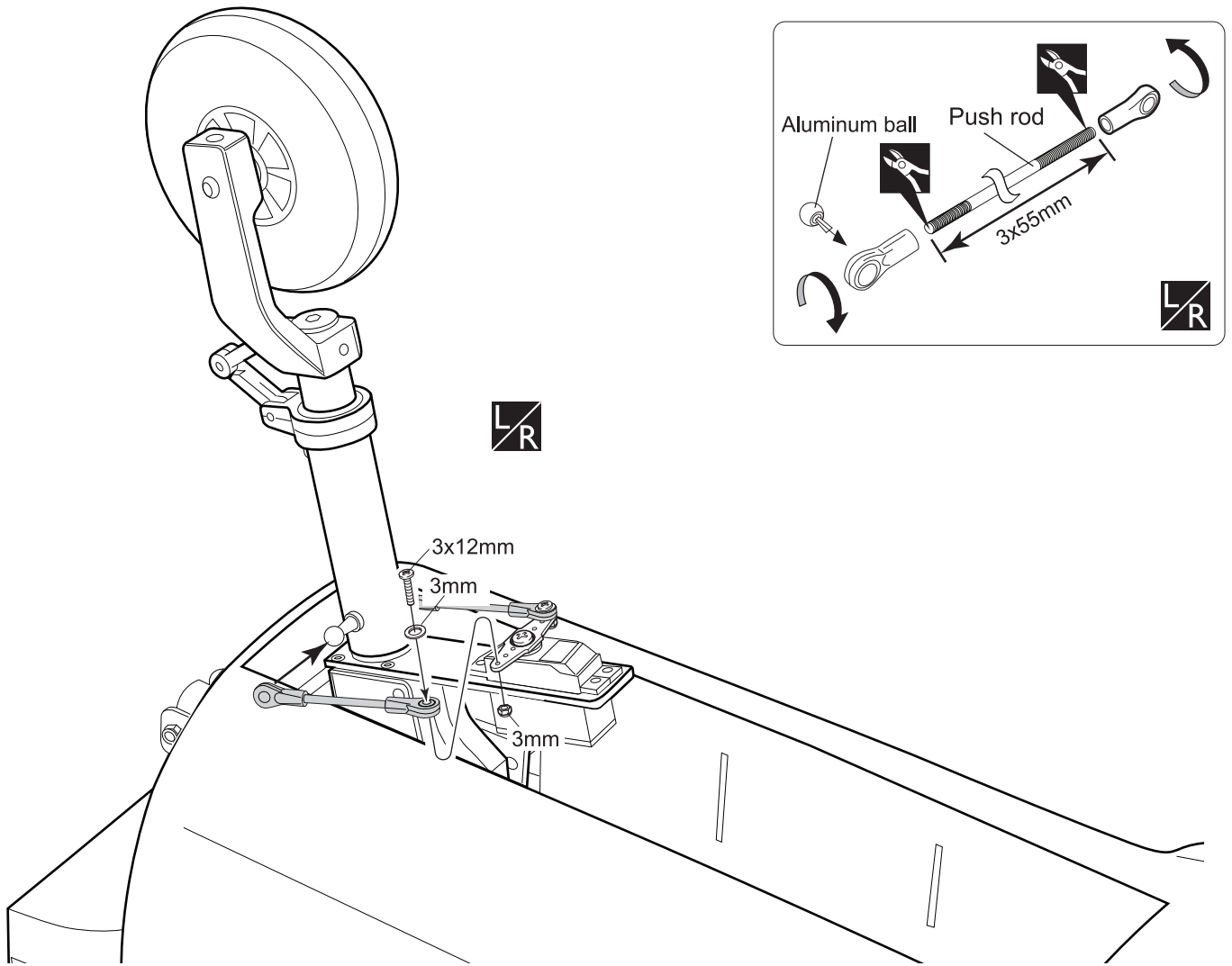


 Apply threadlocker (screw cement).



X Must be purchased separately!

 Cut off shaded portion

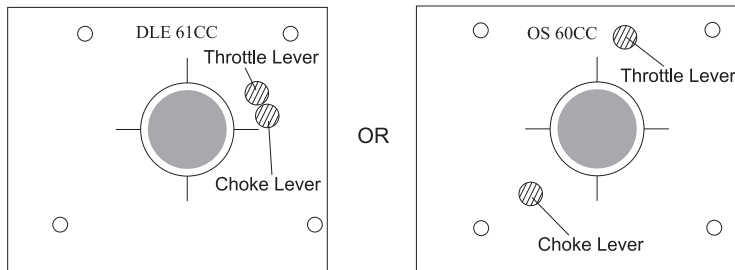


Cut off excess.

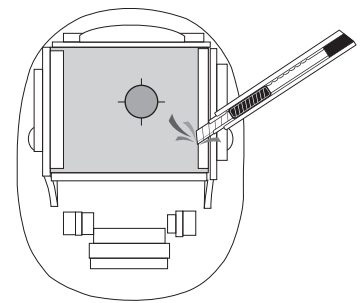
Assemble left and right sides the same way

INSTALLING THE ENGINE

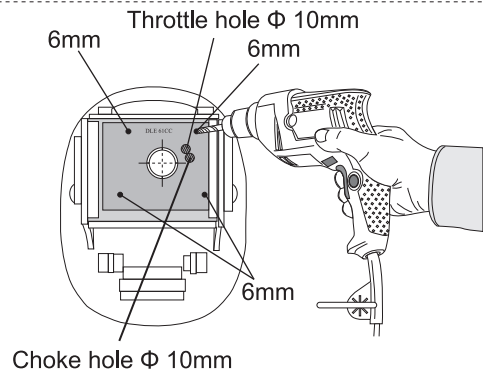
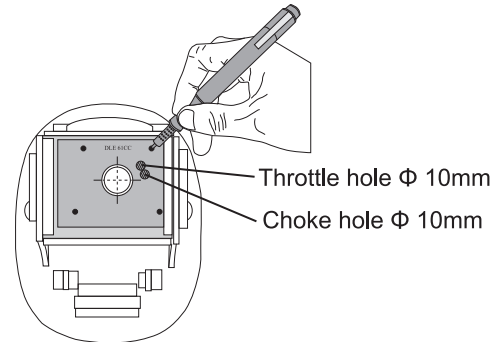
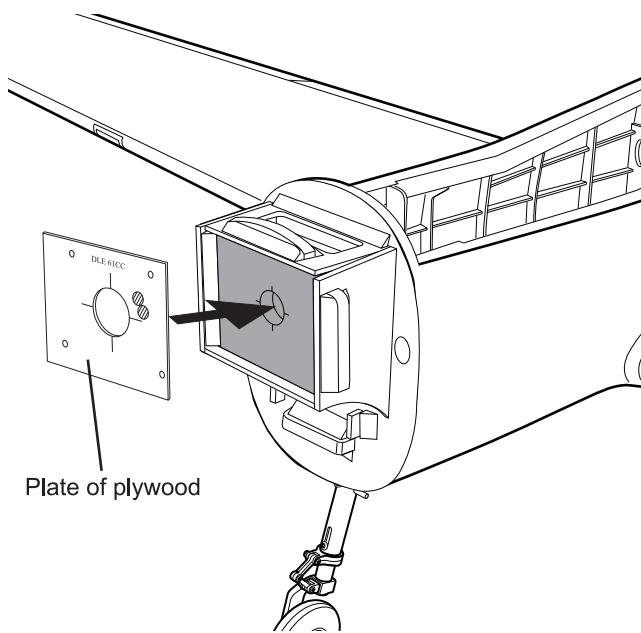
Using plate of plywood (supplied with the kit) mark the holes onto the fire wall for installing the engine mount for DLE-61CC or OS-GT60.



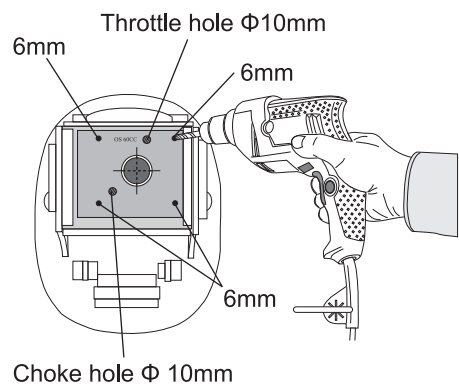
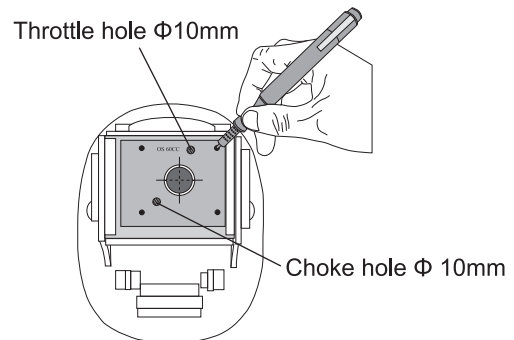
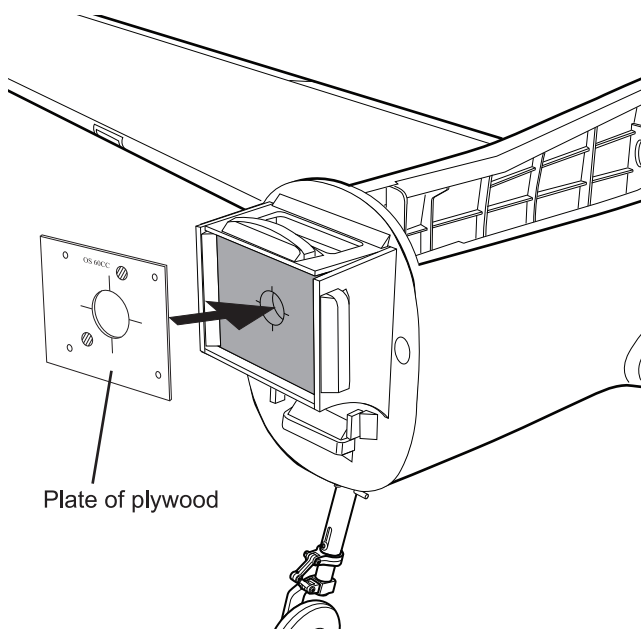
May be you also need to trim some wood from the tri-angle wood for the installation is easy.

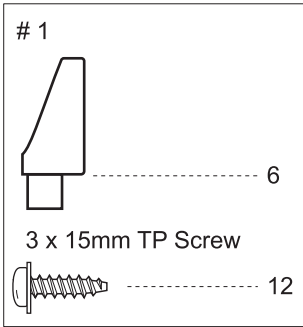


DLE-61CC



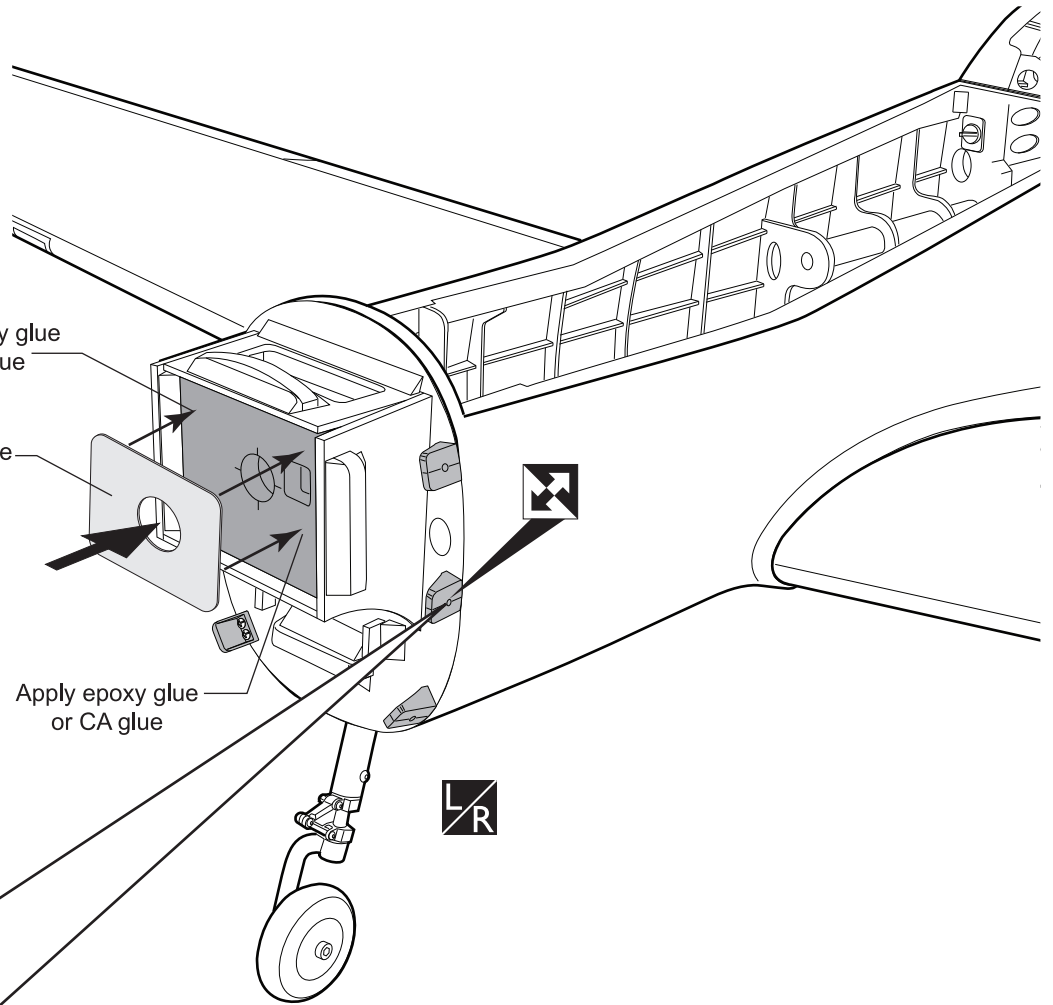
OS-GT60





Apply epoxy glue
or CA glue

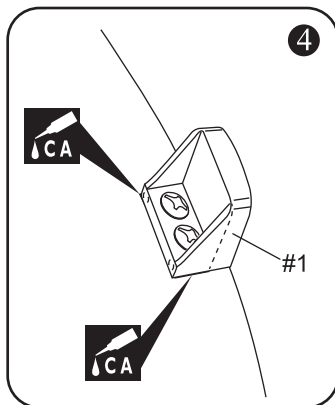
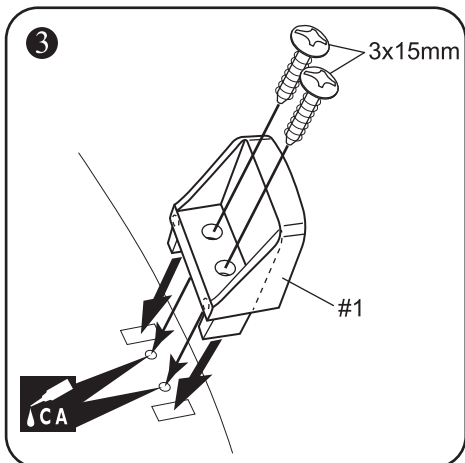
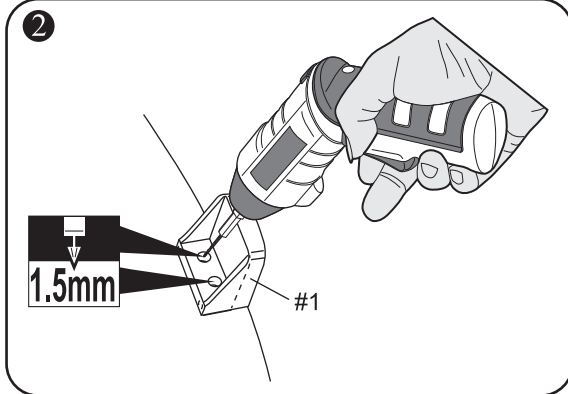
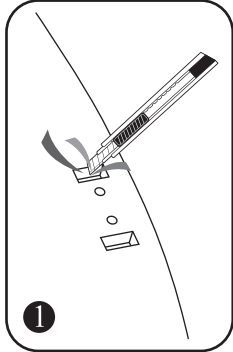
Fiberglass plate







< Important notes >

Apply epoxy glue
or CA glue

L/R

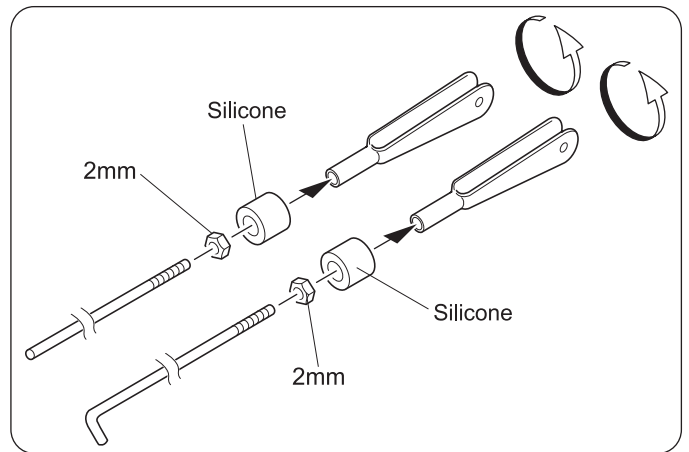


-  Apply instant glue (CA glue, super glue).
-  Note the direction.
-  Assemble left and right sides the same way
-  Drill holes with the specified diameter.

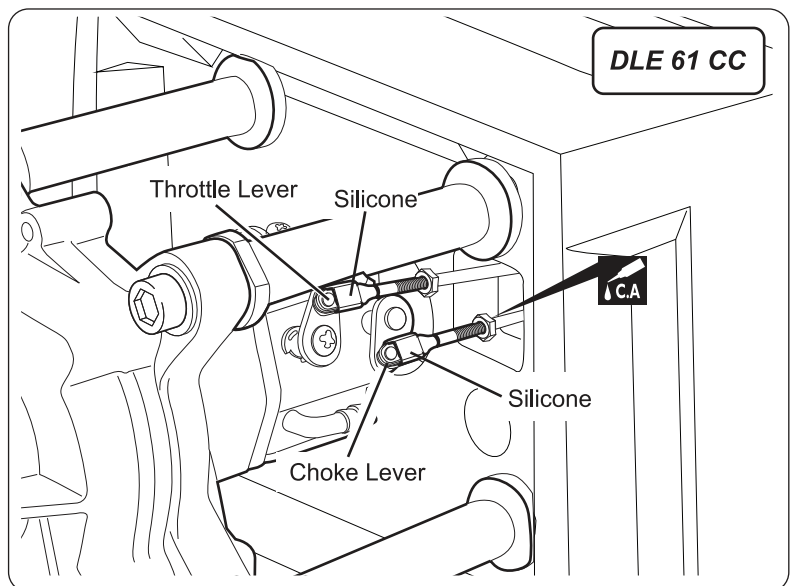
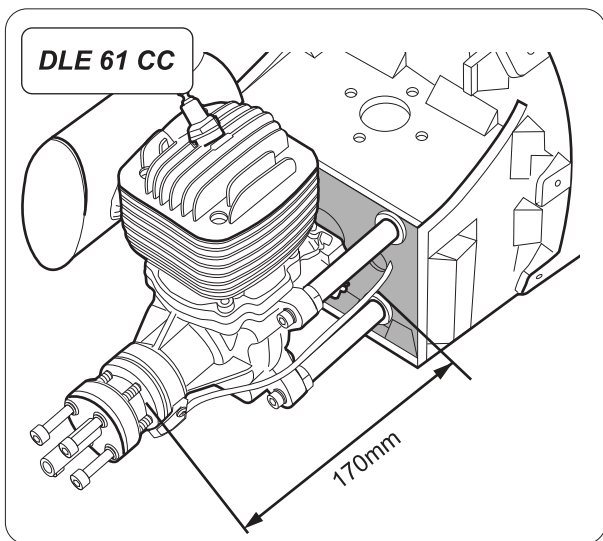
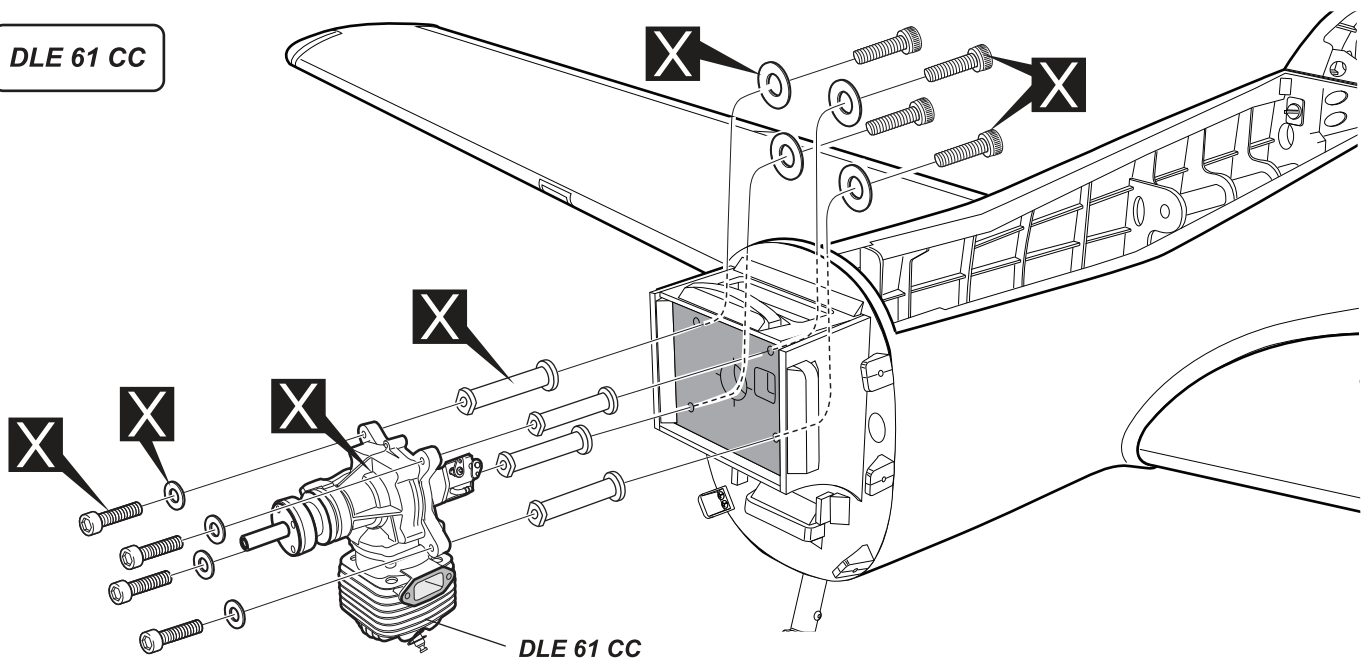
Metal Kwik link (M2) 2

Silicone 2

1.7x350mm Push rod 2



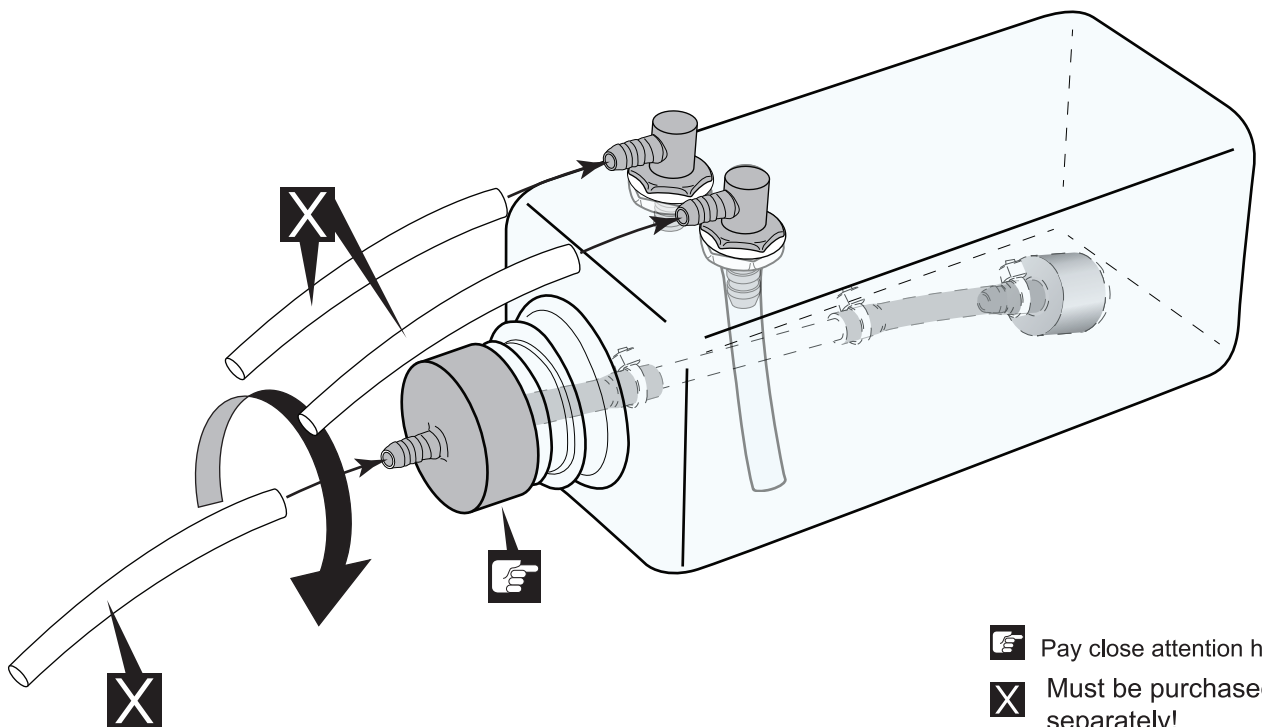
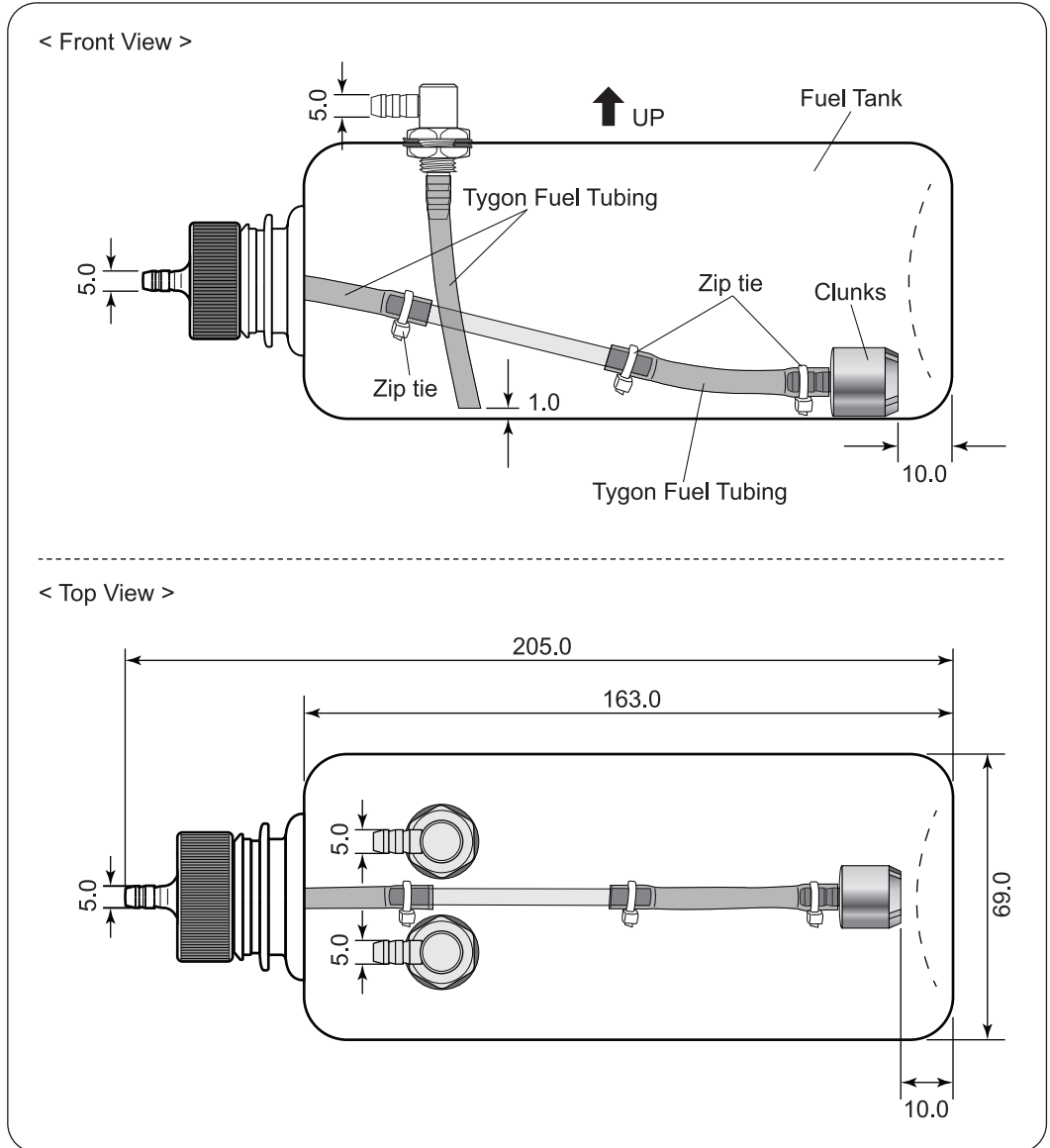
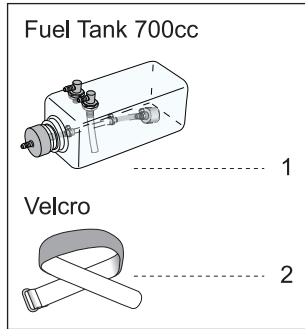
DLE 61 CC

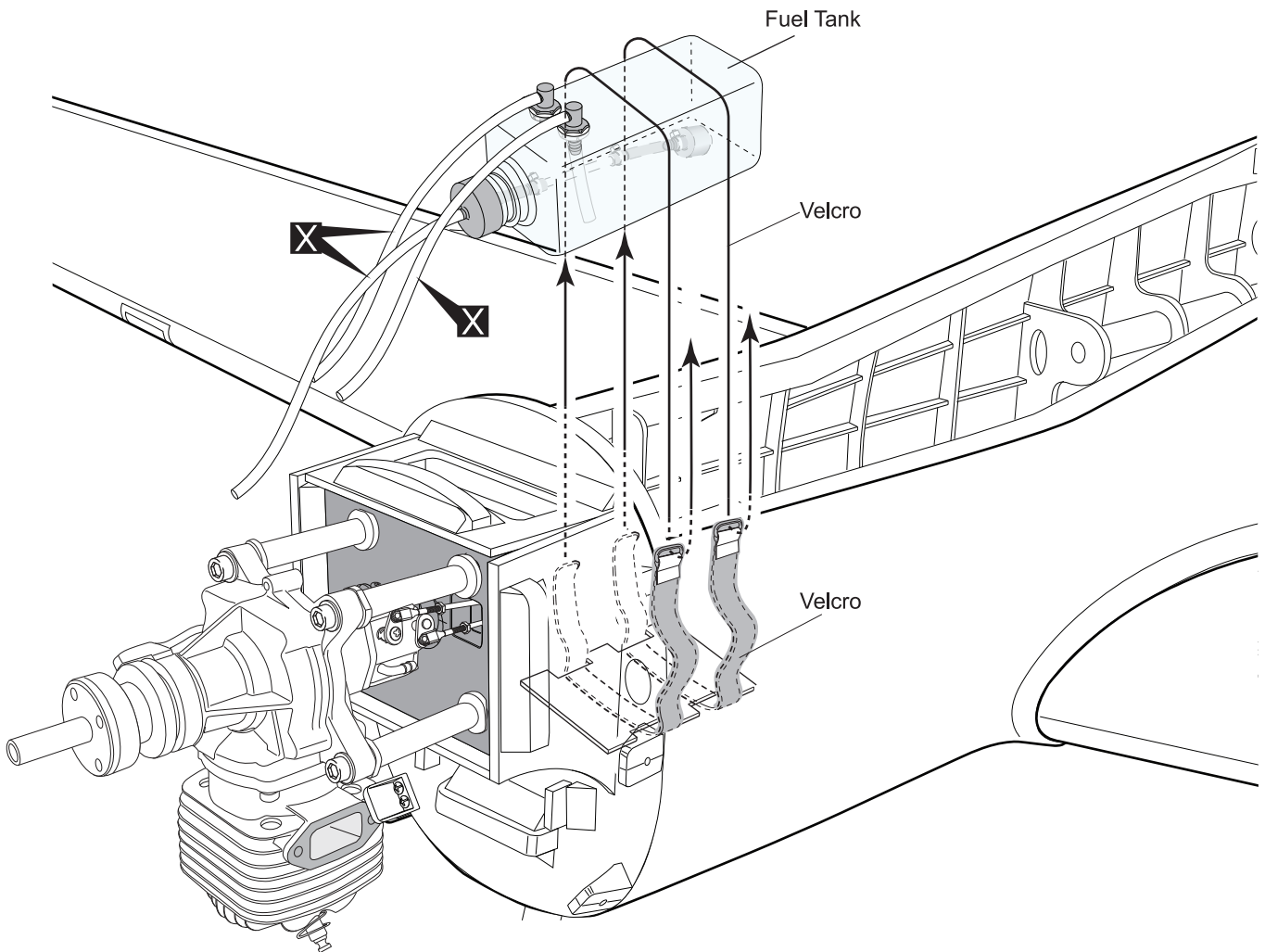


Apply instant glue (CA glue, super glue).

Must be purchased separately!

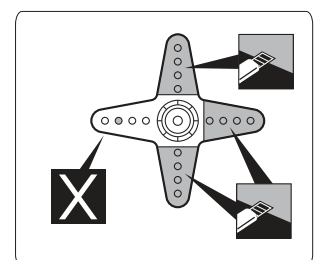
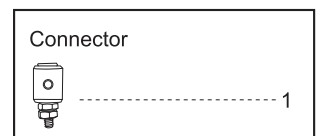
INSTALLING THE FUEL TANK







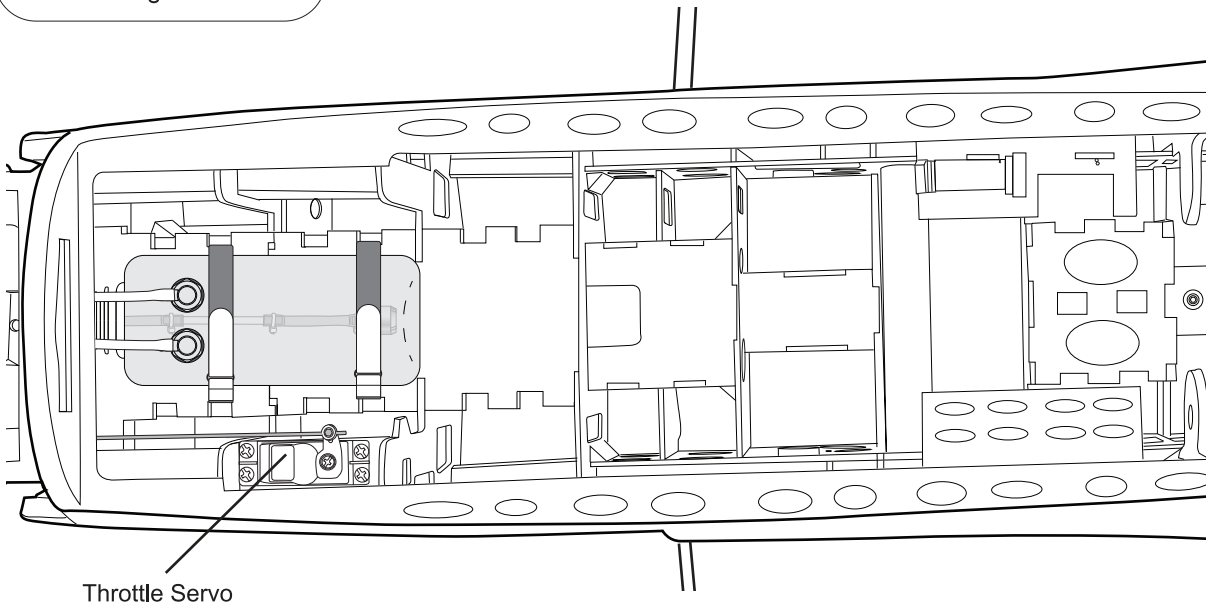
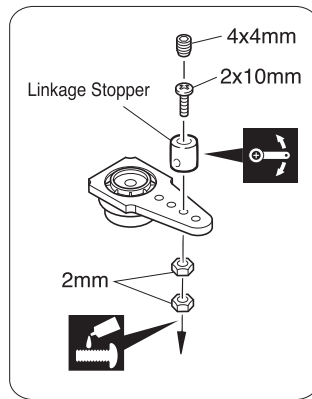
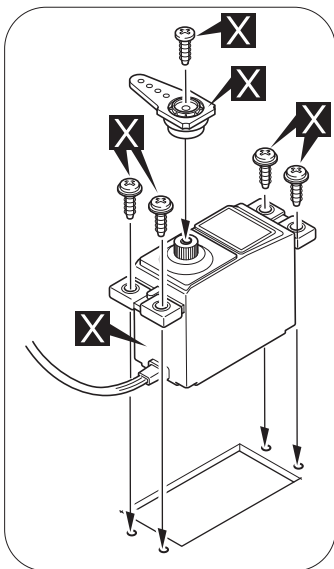
INSTALLING THE THROTTLE

1. Plug the throttle servo into the receiver and turn on the radio system. Check to ensure that the throttle servo output shaft is moving in the correct direction. When the throttle stick is moved forward from idle to full throttle, the throttle barrel should also open and close using this motion. If not, reverse the direction of the servo, using the transmitter.







 Cut off shaded portion

 Must be purchased separately!



Throttle Servo

-  Apply threadlocker (screw cement).
-  Cut off shaded portion

-  Must be purchased separately!
-  Ensure smooth, non-binding movement when assembling

MOUNTING THE COWL

1. Remove the muffler and needle valve assembly from the engine. Slide the fiberglass cowl over the engine.
2. Measure and mark the locations to be cut out for engine head clearance, needle valve, muffler. Remove the cowl and make these cutouts using a rotary tool with a cutting disc and a rotary sanding drum attachment.
3. Slide the cowl back into place. Align the front of the cowl with the crankshaft of the engine. The front of the cowl should be positioned so the crankshaft is in the middle of the precut opening. Hold the cowl firmly in place using several pieces of masking tape.

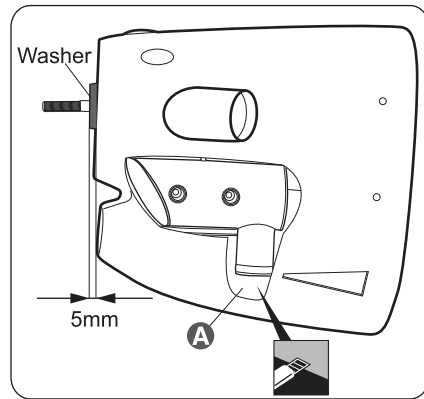
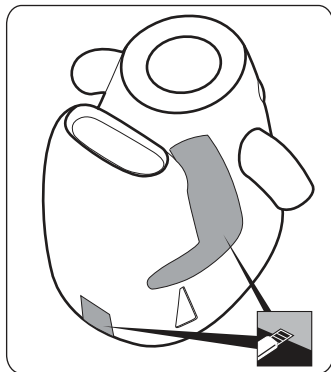
4. While holding the cowl firmly in position, drill 1,6mm pilot holes through both the cowl and the side edges of the firewall.
5. Using a 3mm drill bit, enlarge the holes in the cowl.



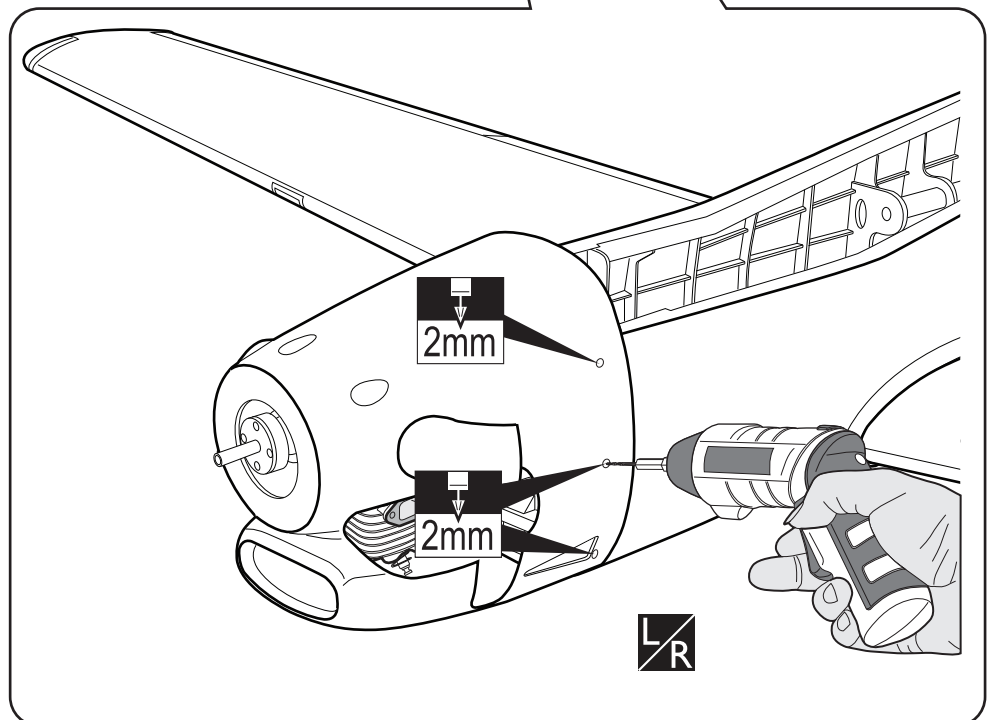
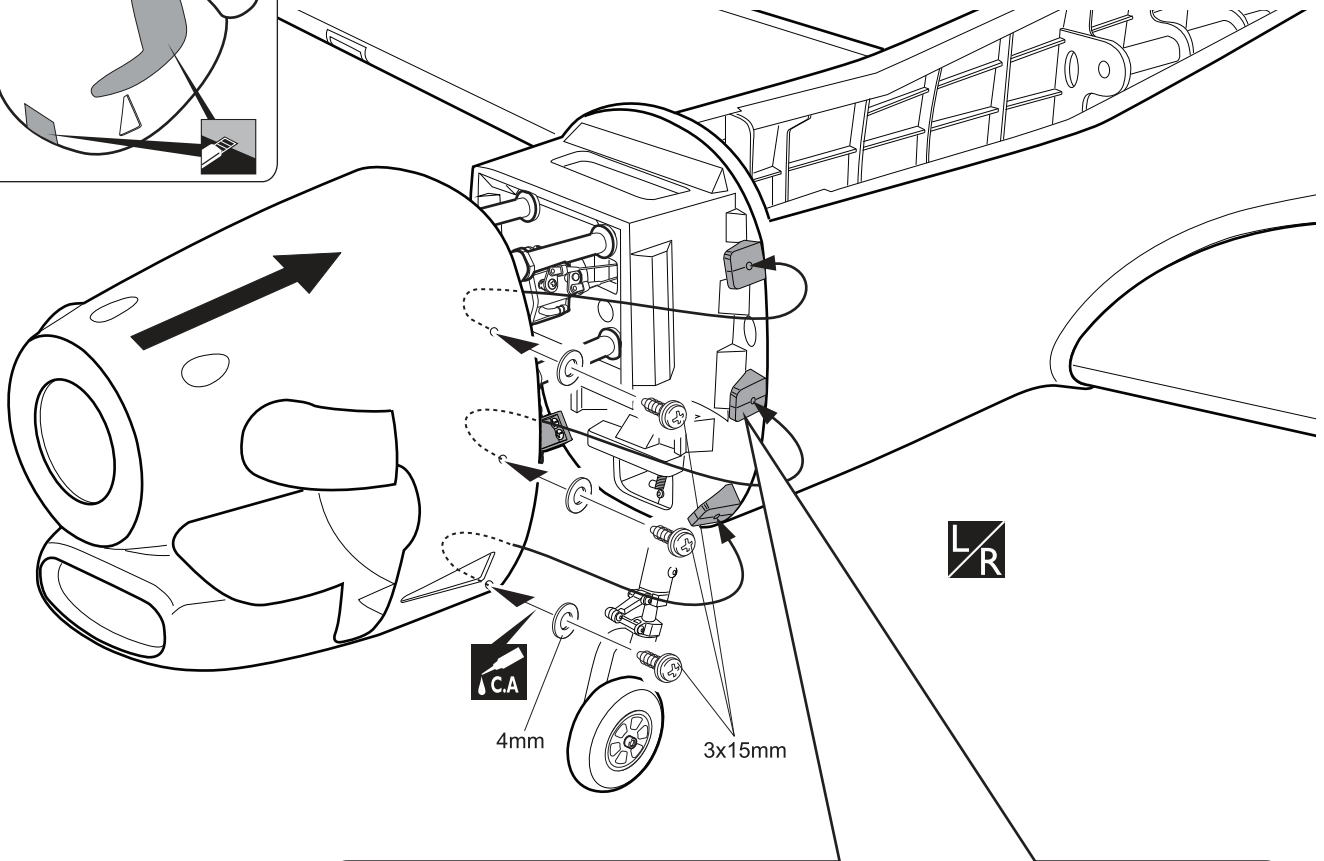
Enlarging the holes through the cowl will prevent the fiberglass from splitting when the mounting screws are installed.

6. Slide the cowl back over the engine and secure it in place using screws.
7. Install the muffler. Connect the fuel and pressure lines to the carburator, muffler and fuel filler valve. Tighten the screws completely.

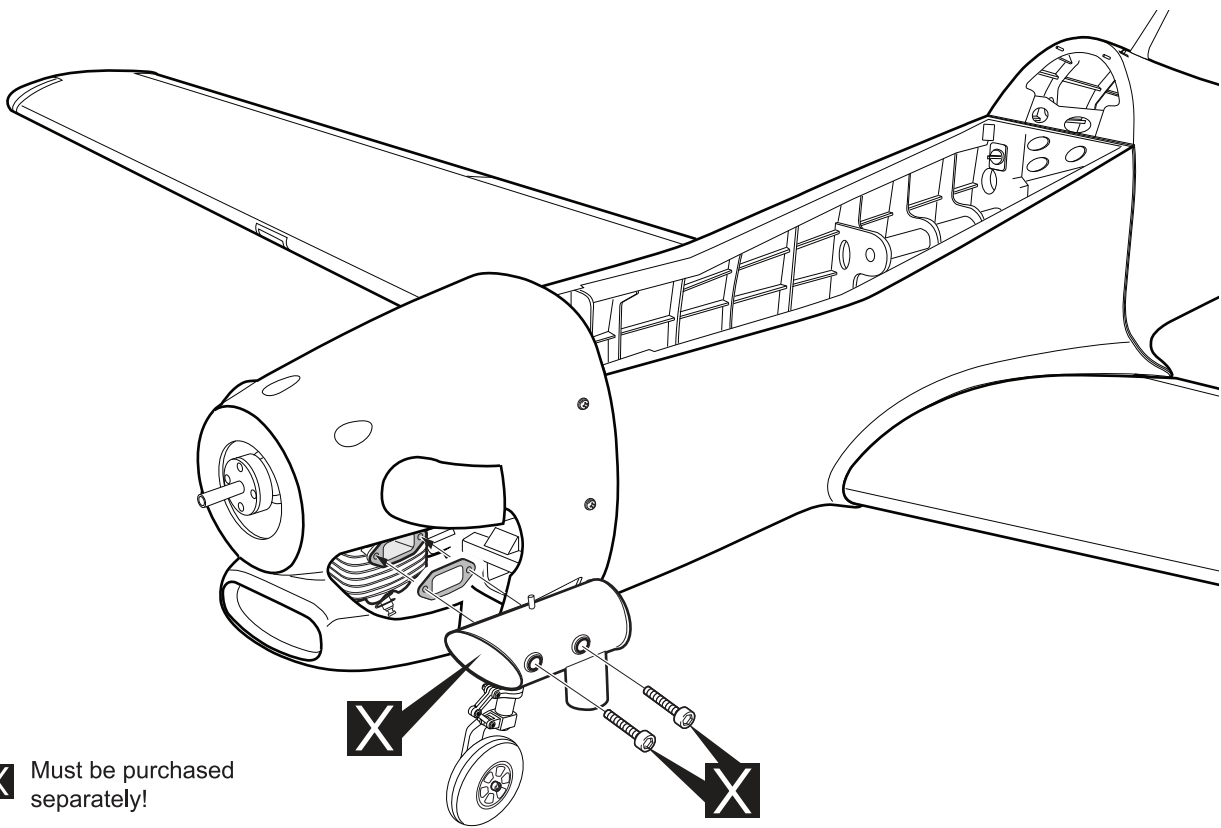
- 3 x 15mm TP Screw
- 4mm Washer



A Trim the cowling so it will match your engine



- Cut off shaded portion
- Apply instant glue (CA glue, super glue).
- Assemble left and right sides the same way.
- Drill holes with the specified diameter.



X Must be purchased separately!

INSTALLING THE SPINNER

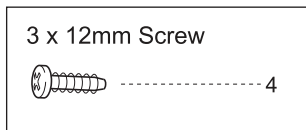
Install the spinner back-plate, propeller and spinner cone.

! *The propeller should not touch any part of the spinner cone. If it does, use a sharp modeling knife and carefully trim away the spinner cone where the propeller comes in contact with it.*



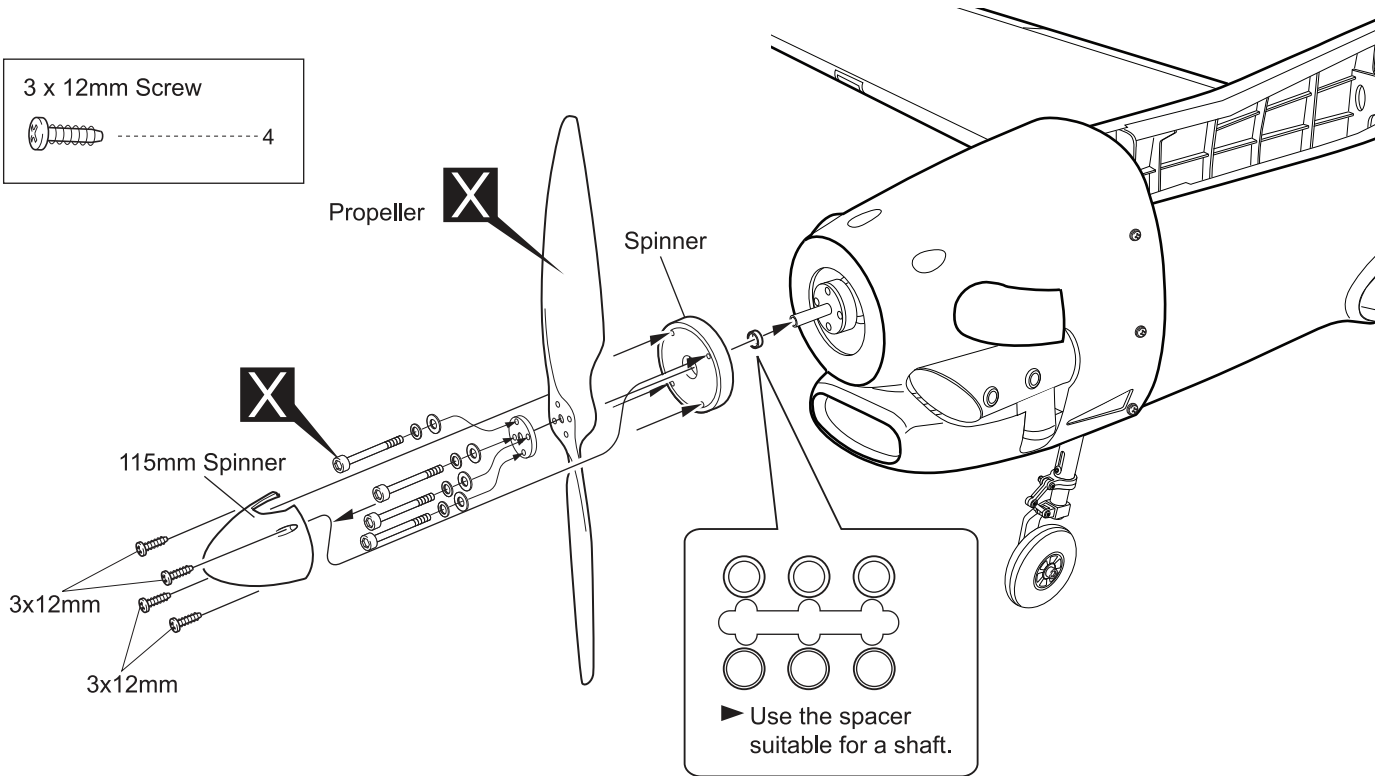
Warning!

- ▶ Securely tighten the nut holding the propeller for it not come off when the motor is spinning. If coming off, there is a high risk of injury!
- ▶ Always ensure propeller and spinner are balanced. If unbalanced, vibration may result at high rotation and cause damage or injury.



3 x 12mm Screw

----- 4



Propeller **X**

Spinner

115mm Spinner **X**

3x12mm


3x12mm

▶ Use the spacer suitable for a shaft.

X Must be purchased separately!

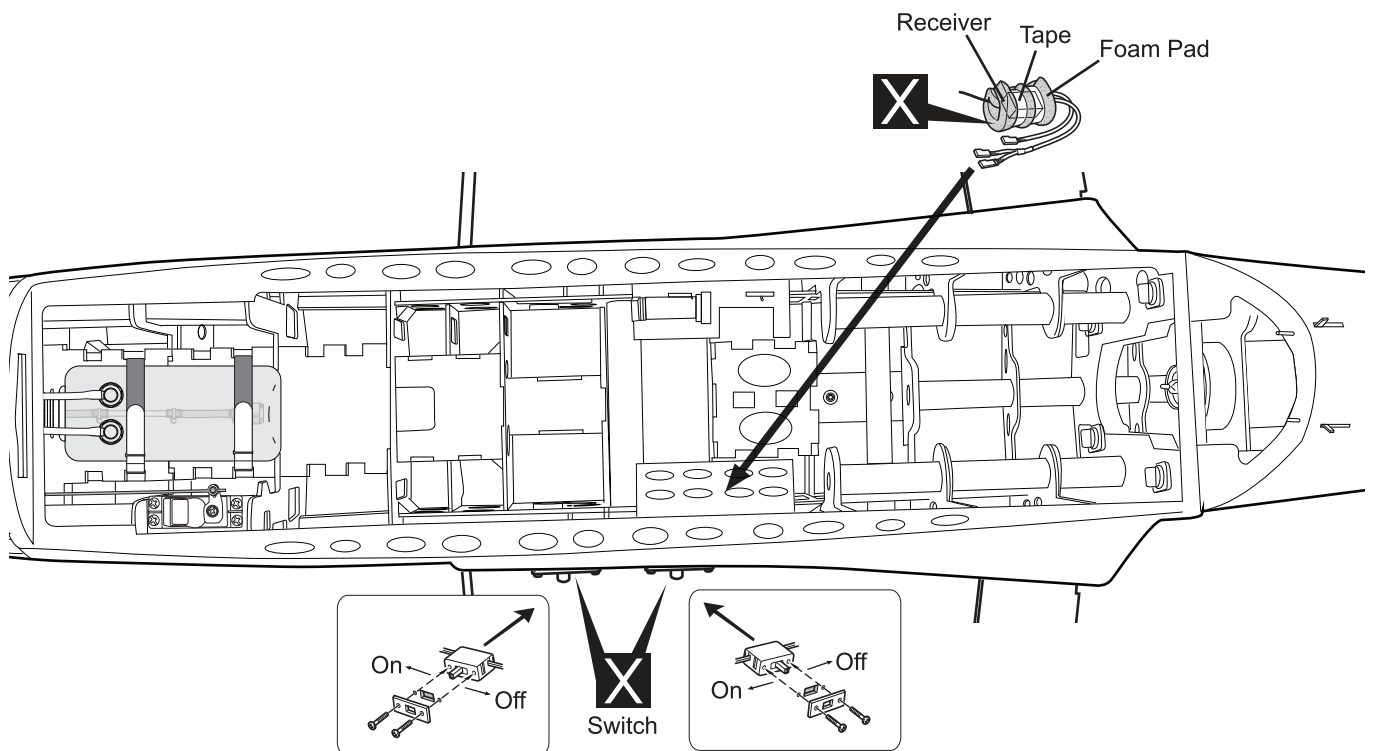
INSTALLING THE RECEIVER AND BATTERY


1. Plug the servo leads and the switch lead into the receiver. You may want to plug an aileron extension into the receiver to make plugging in the aileron servo lead easier when you are installing the wing. Plug the battery pack lead into the switch.
2. Wrap the receiver and battery pack in the protective foam to protect them from vibration. Use a rubber band or masking tape to hold the foam in place.


 **Do not permanently secure the receiver and battery until after balancing the model.**

INSTALLING THE SWITCH

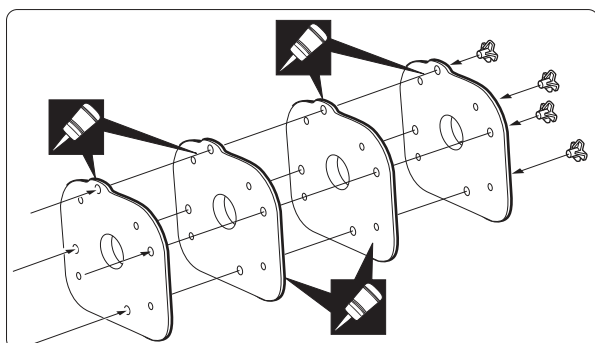
1. The switch should be mounted on the fuselage side, opposite the muffler, close enough to the receiver so the lead will reach. Use the face plate of the switch cut out and locate the mounting holes.
2. Cut out the switch hole using a modeling knife. Use a 2mm drill bit and drill out the two mounting holes through the fuselage side.
3. Secure the switch in place using the two machine screws provided with the radio system.



 **Warning!** Attach securely. Disconnection during flight will cause loss of control and may result in an accident

 Must be purchased separately!

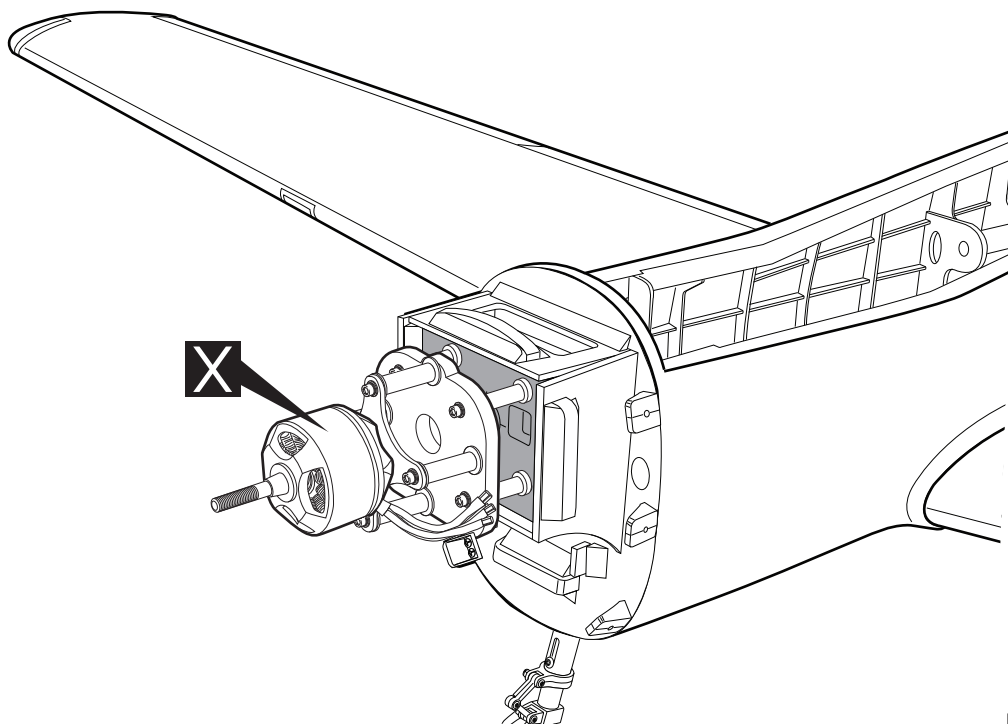
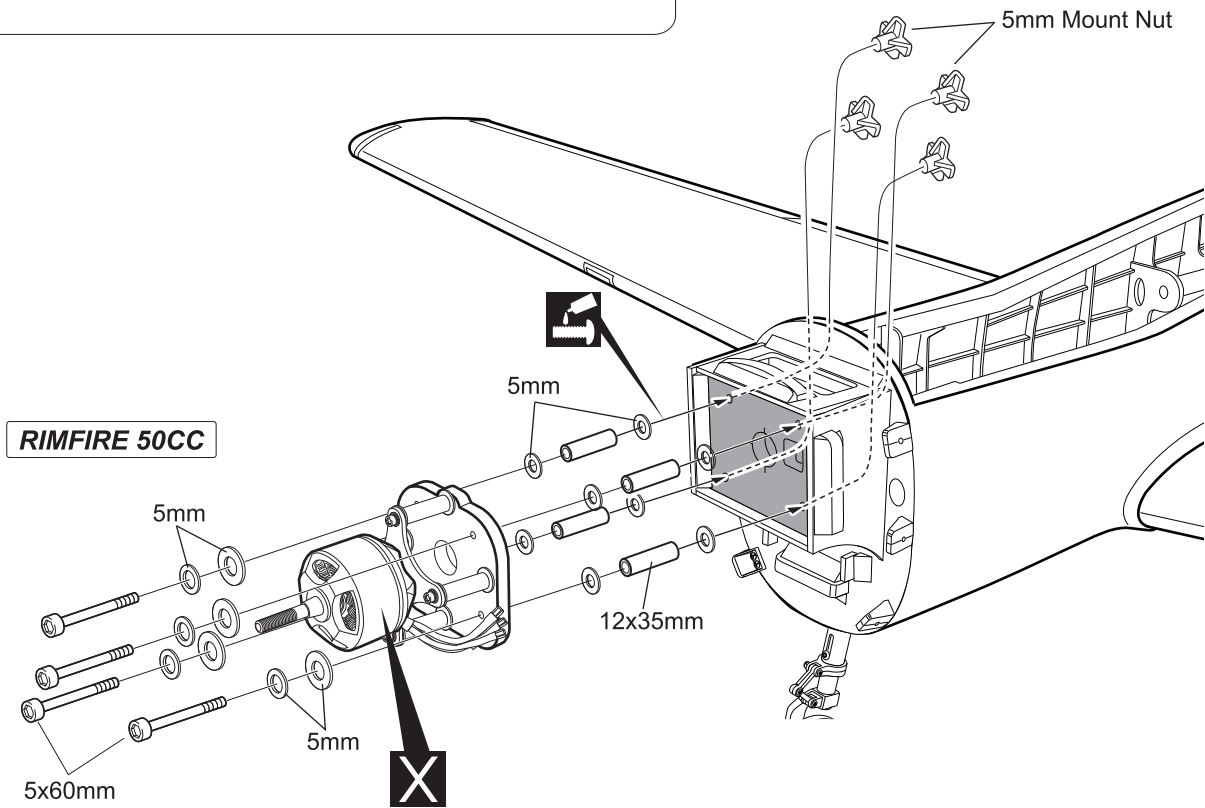
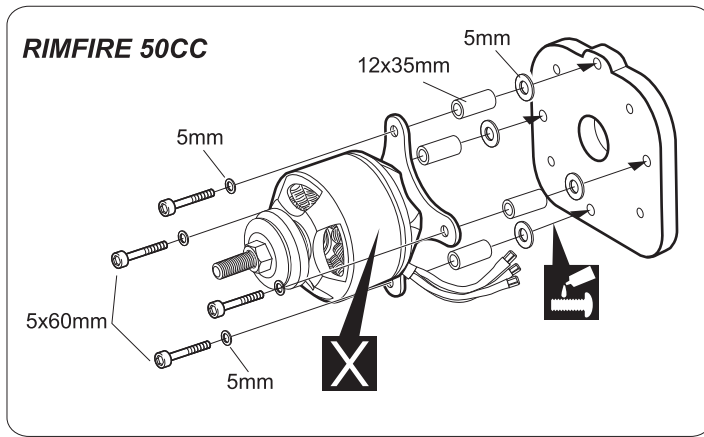
INSTALLING THE ELECTRIC MOTOR (EP VERSION)





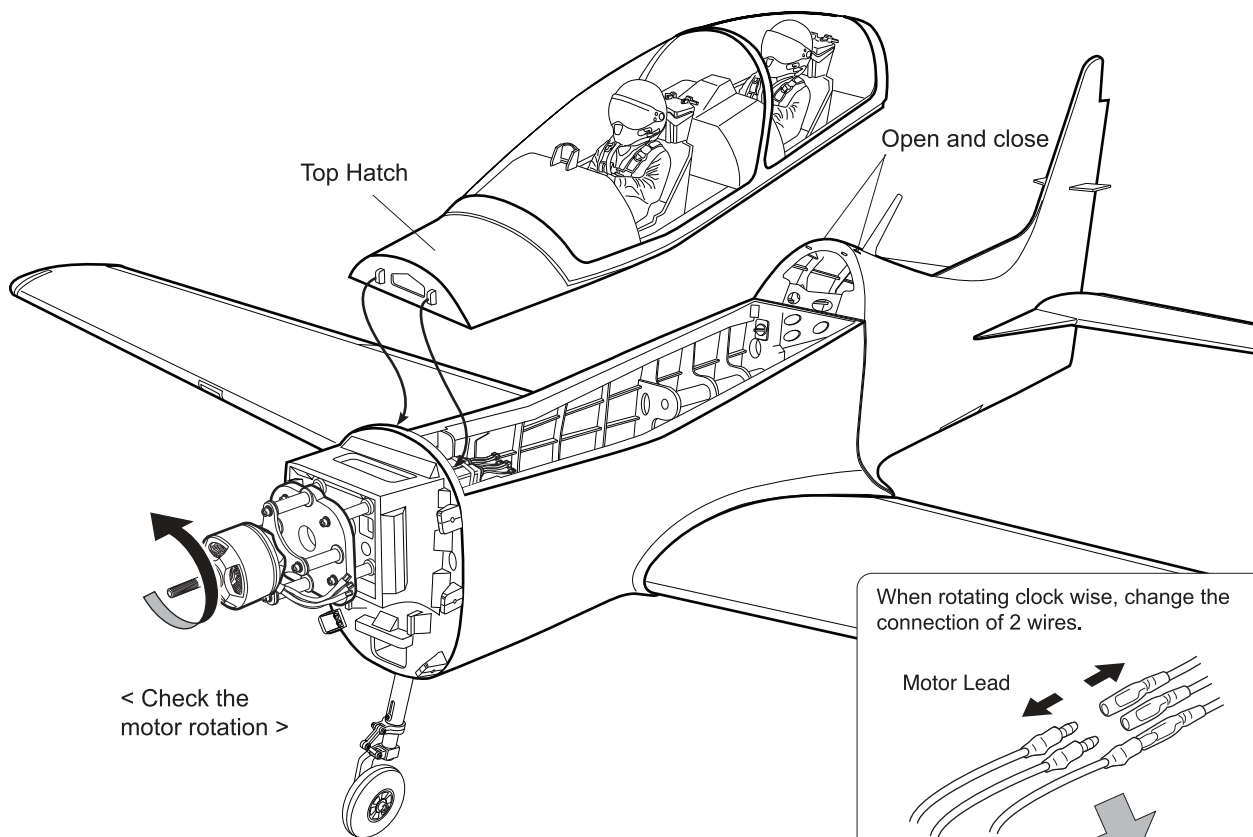
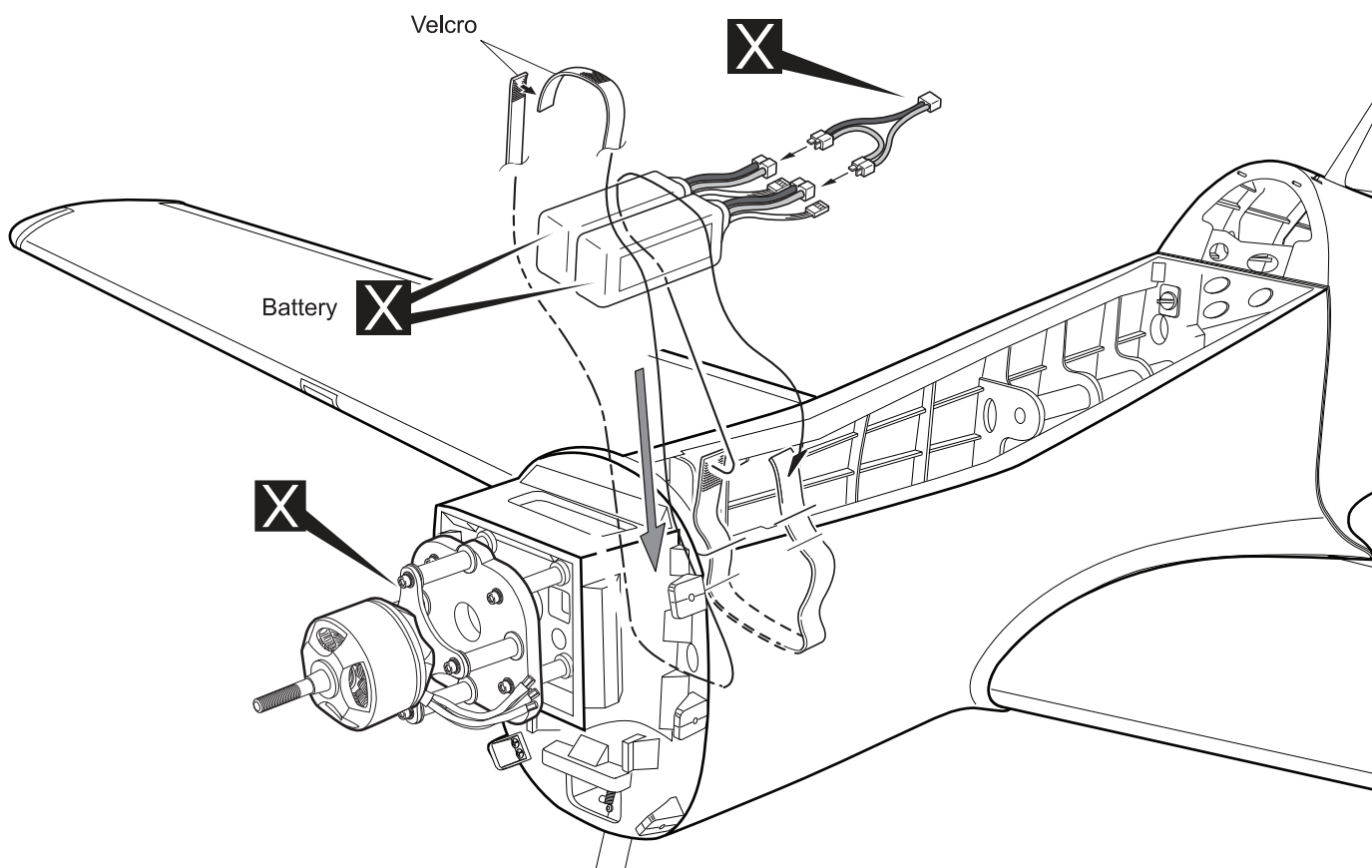
5mm Washer	12
5mm Mount Nut	8

5 x 60mm Cap Screw	8
5mm Spring Washer	8
5mm Washer	4
12 x 35mm Aluminum	8

 White glue



-  Must be purchased separately!
-  Apply threadlocker (screw cement).



When rotating clock wise, change the connection of 2 wires.

Motor Lead

The diagram shows two sets of motor leads. In the top set, two wires are connected to a specific terminal. A large downward arrow indicates a transition to the bottom set, where the two wires have been swapped, demonstrating the required change in connection for clockwise rotation.

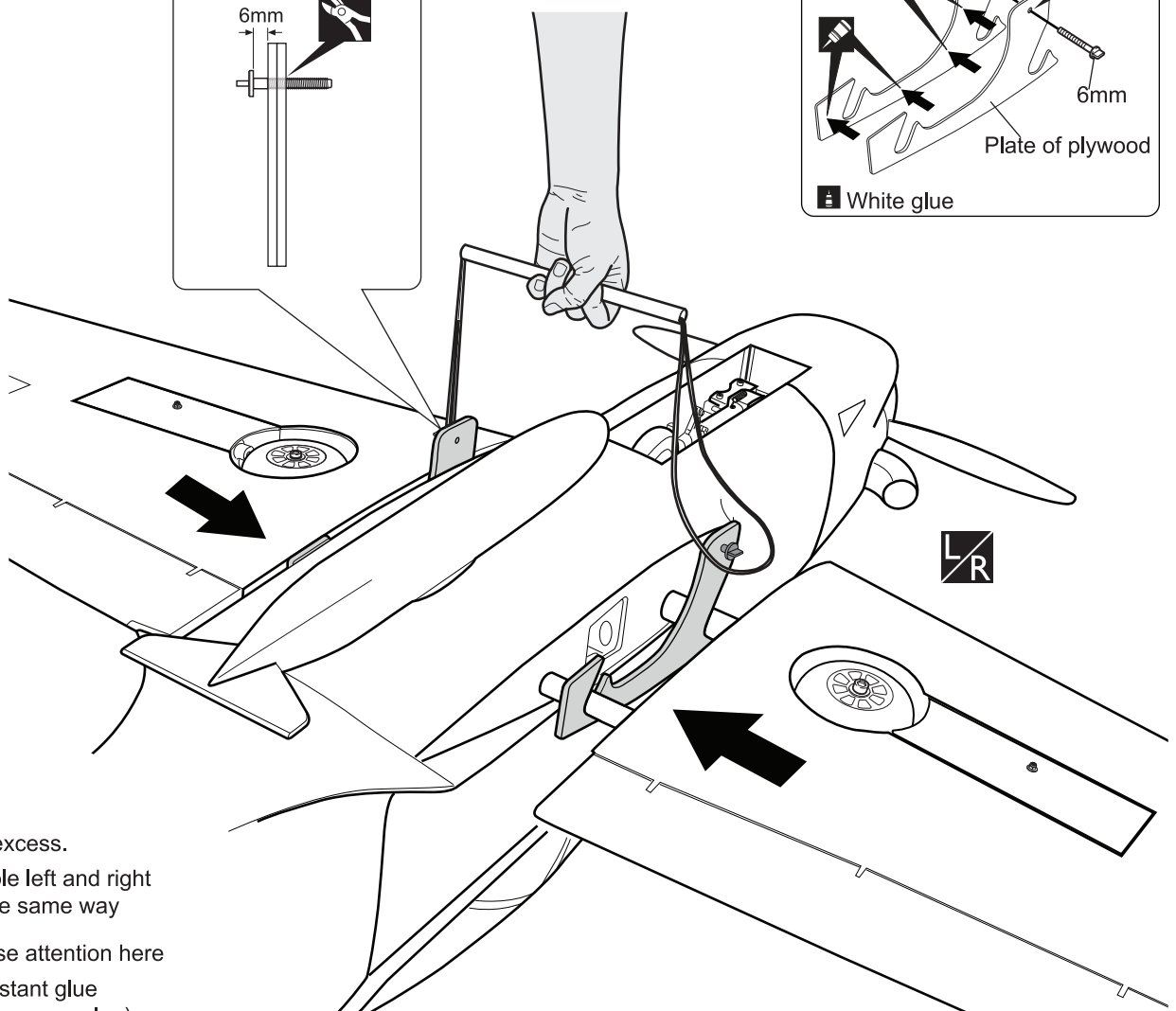
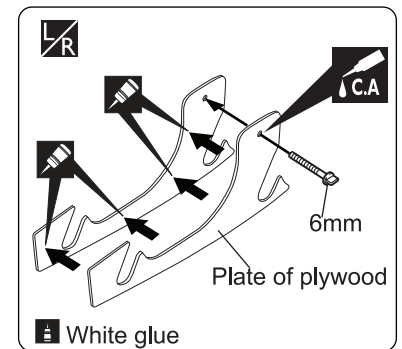
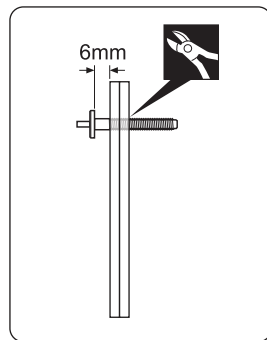
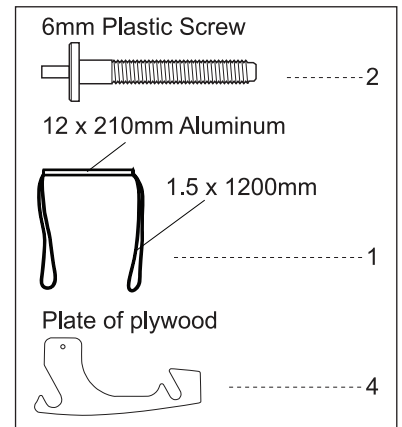
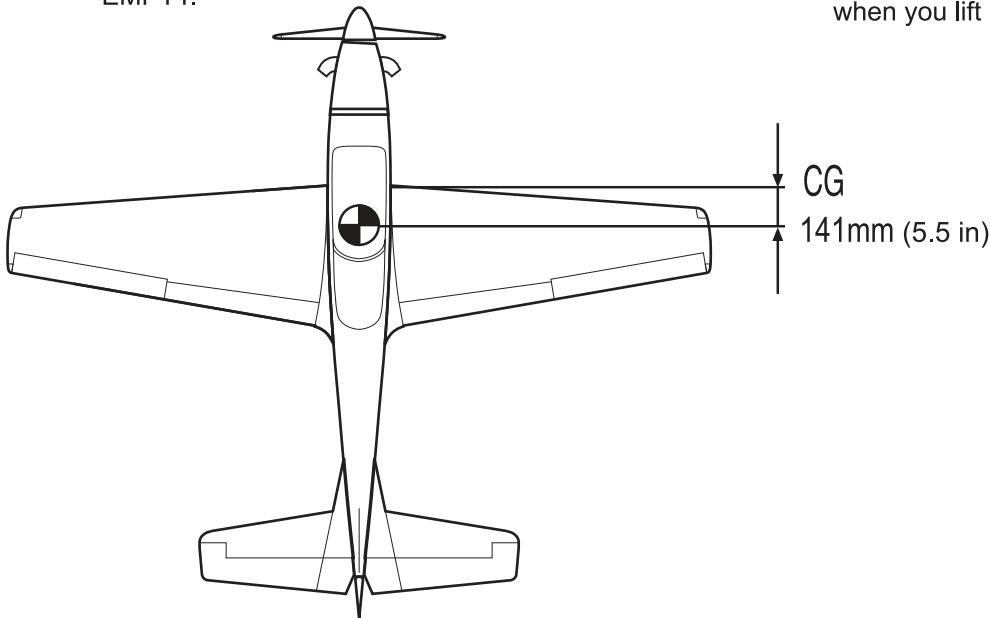
X Must be purchased separately!

BALANCING

1. It is critical that your airplane be balanced correctly. Improper balance will cause your plane to lose control and crash.

THE CENTER OF GRAVITY IS LOCATED 141mm (5.5 in) BACK FROM THE LEADING EDGE OF THE WING, AT THE FUSELAGE. BALANCE A PLANE UPSIDE DOWN WITH THE FUEL TANK EMPTY.

2. If the nose of the plane falls, the plane is nose heavy. To correct this first move the battery pack further back in the fuselage. If this is not possible or does not correct it, stick small amounts of lead weight on the fuselage under the horizontal stabilizer. If the tail of the plane falls, the plane is tail heavy. To correct this, move the battery and receiver forward or if this is not possible, stick weight into the firewall. When balanced correctly, the airplane should sit level or slightly nose down when you lift it up with your fingers.

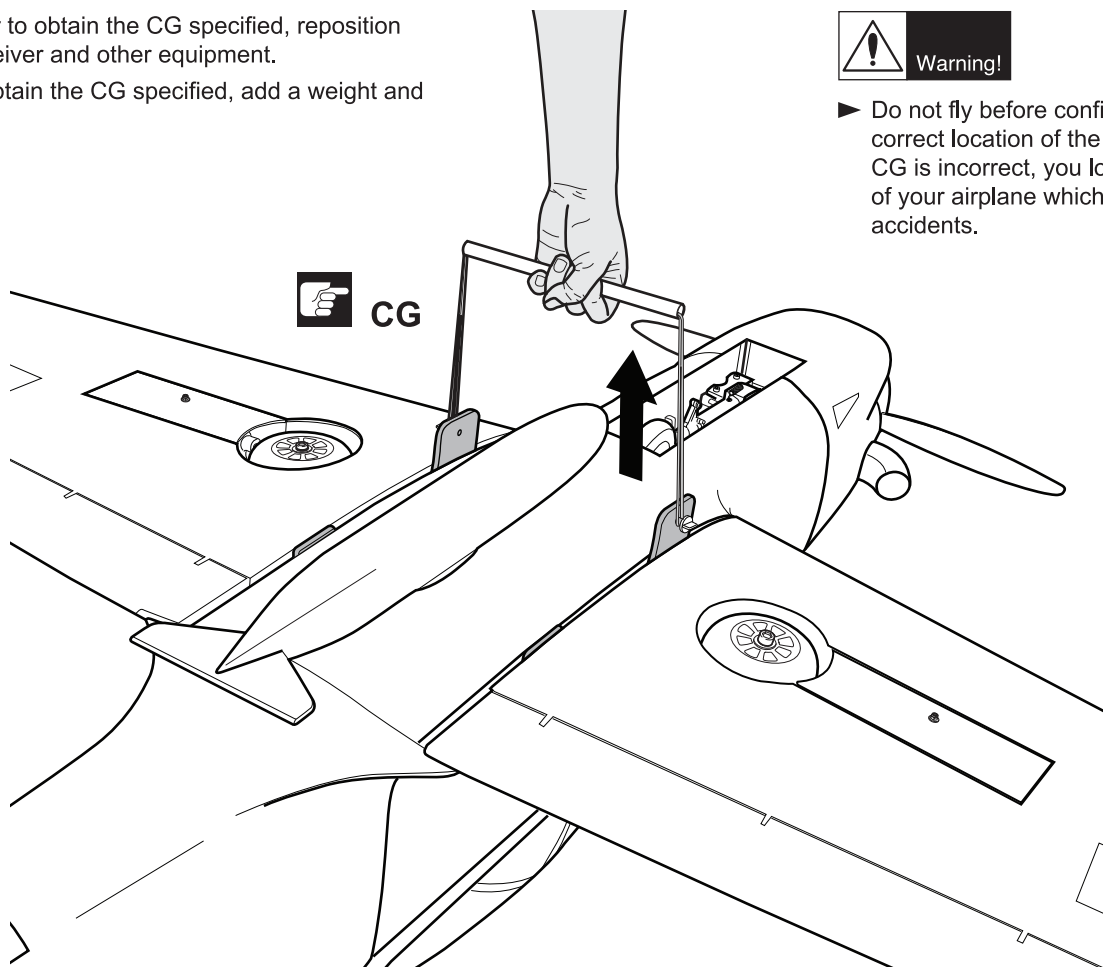


- Cut off excess.
- Assemble left and right sides the same way
- Pay close attention here
- Apply instant glue (CA glue, super glue).

- ▶ In order to obtain the CG specified, reposition the receiver and other equipment.
- ▶ If not obtain the CG specified, add a weight and adjust.



- ▶ Do not fly before confirming the correct location of the CG. If the CG is incorrect, you lose control of your airplane which leads to accidents.



LATERAL BALANCE

! After you have balanced a plane on the C.G. You should laterally balance it. Doing this will help the airplane track straighter.

1. Turn the airplane upside down. Attach one loop of heavy string to the engine crankshaft and one to the tail wheel wire. With the wings level, carefully lift the airplane by the string. This may require two people to make it easier.
2. If one side of the wing fall, that side is heavier than the opposite. Add small amounts of lead weight to the bottom side of the lighter wing half's wing tip. Follow this procedure until the wing stays level when you lift the airplane.

● **LOW RATE**

Ailerons : 15 mm up	15 mm down
Elevator : 15 mm up	15 mm down
Rudder : 30 mm right	30 mm left
Flap : 25 mm down	

● **HIGH RATE**

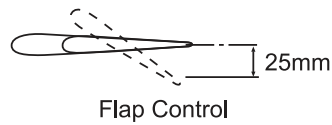
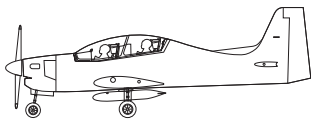
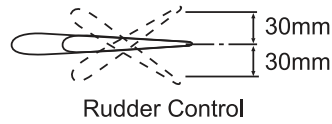
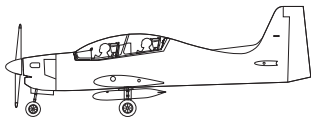
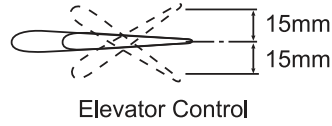
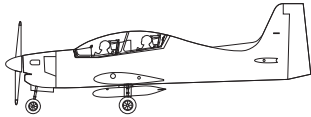
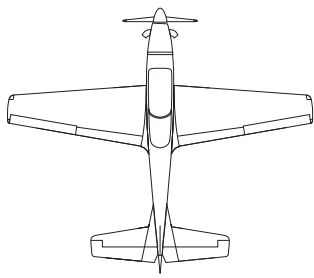
Ailerons : 20 mm up	20 mm down
Elevator : 20 mm up	20 mm down
Rudder : 45 mm right	45 mm left
Flap : 35 mm down	

FLIGHT PREPARATION PRE FLIGHT CHECK

1. Completely charge your transmitter and receiver batteries before your first day of flying.
2. Check every bolt and every glue joint in your plane to ensure that everything is tight and well bonded.
3. Double check the balance of the airplane
4. Check the control surface
5. Check the receiver antenna . It should be fully extended and not coiled up inside the fuselage.
6. Properly balance the propeller.

CONTROL THROWS

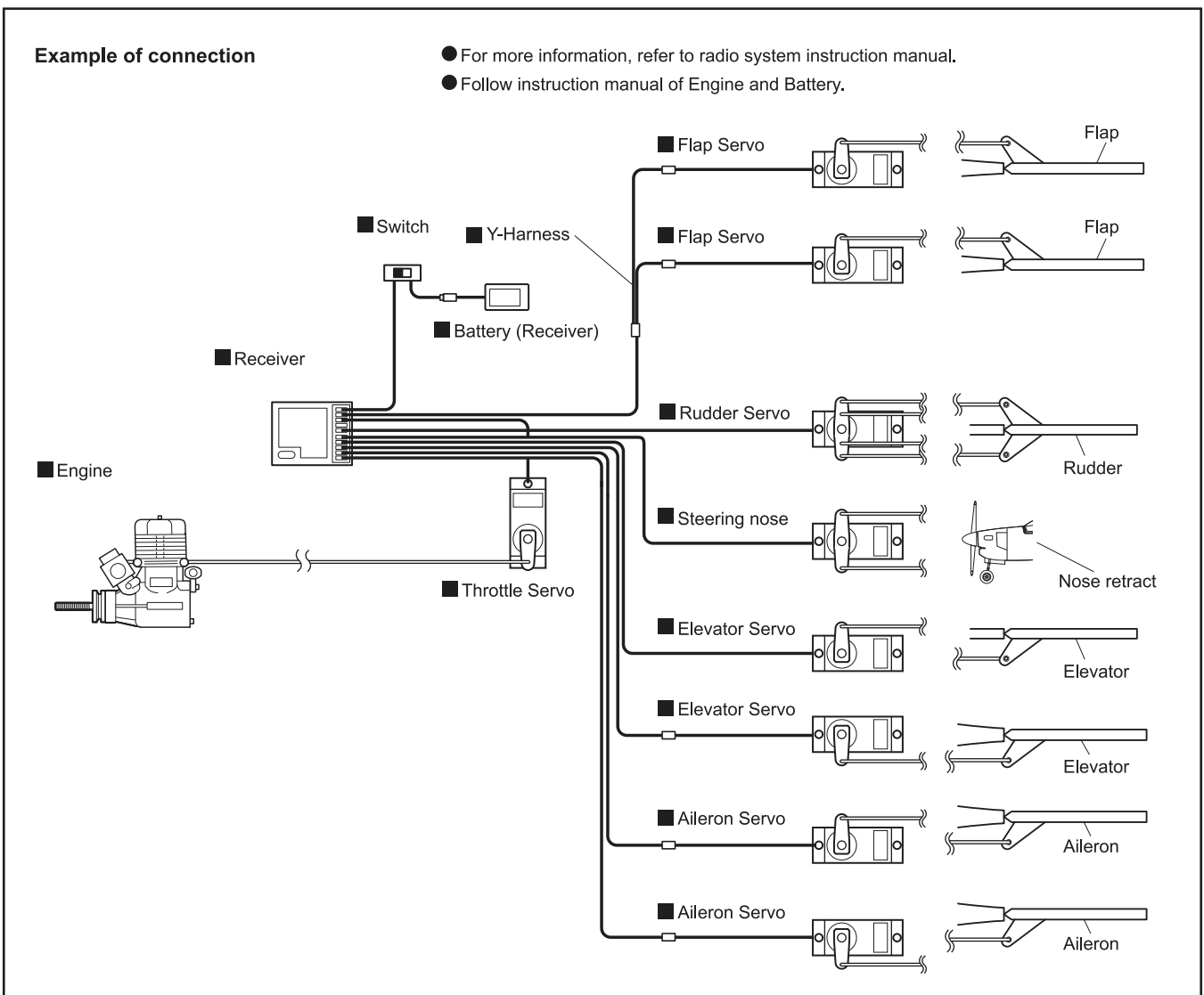
1. We highly recommend setting up a plane using the control throws listed.
2. The control throws should be measured at the widest point of each control surface.
3. Check to be sure the control surfaces move in the correct directions.



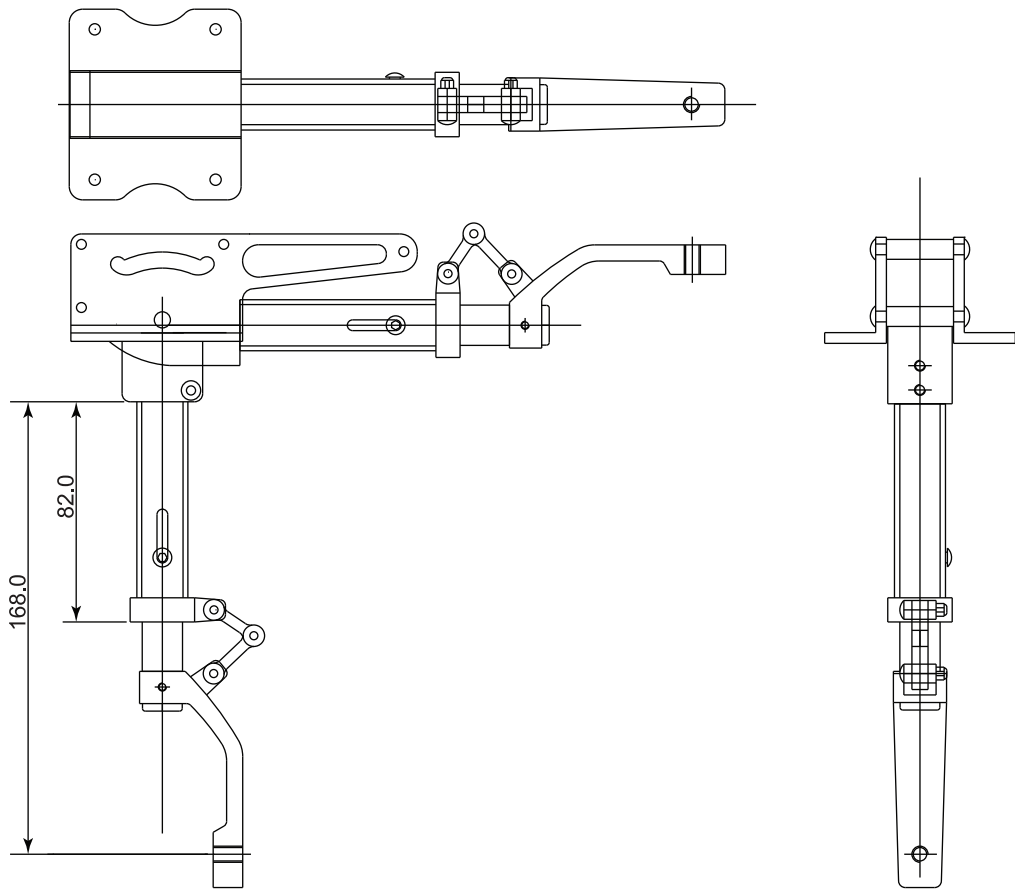
**FOR YOUR RADIO INSTALLATION
BASIC CONNECTION FOR AIRPLANE AND ADJUSTMENT OF SERVOS**

Example of connection

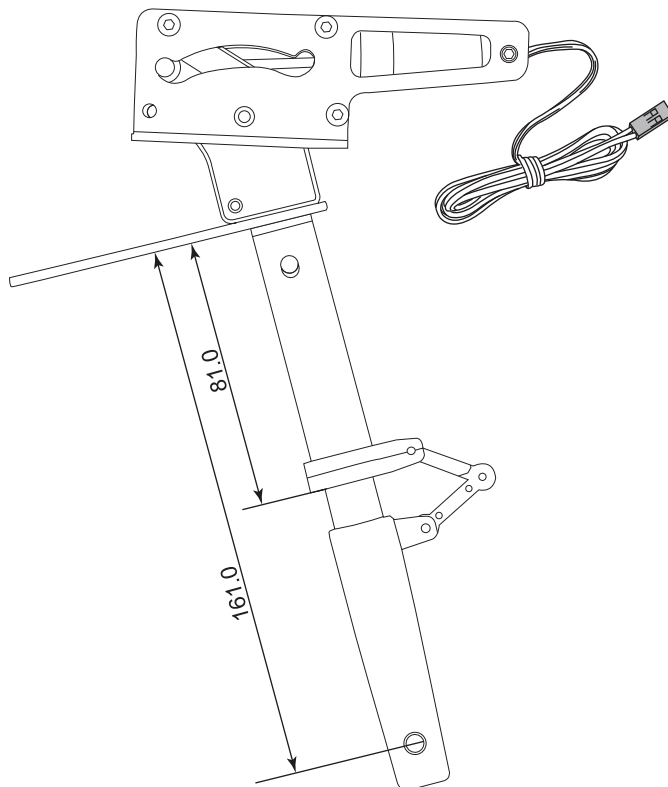
- For more information, refer to radio system instruction manual.
- Follow instruction manual of Engine and Battery.



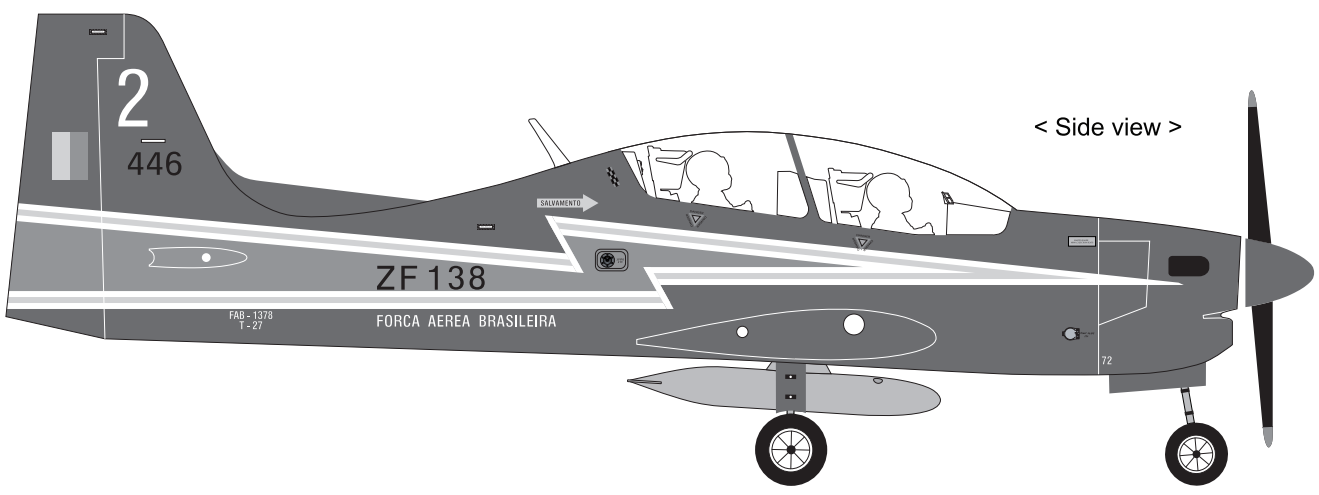
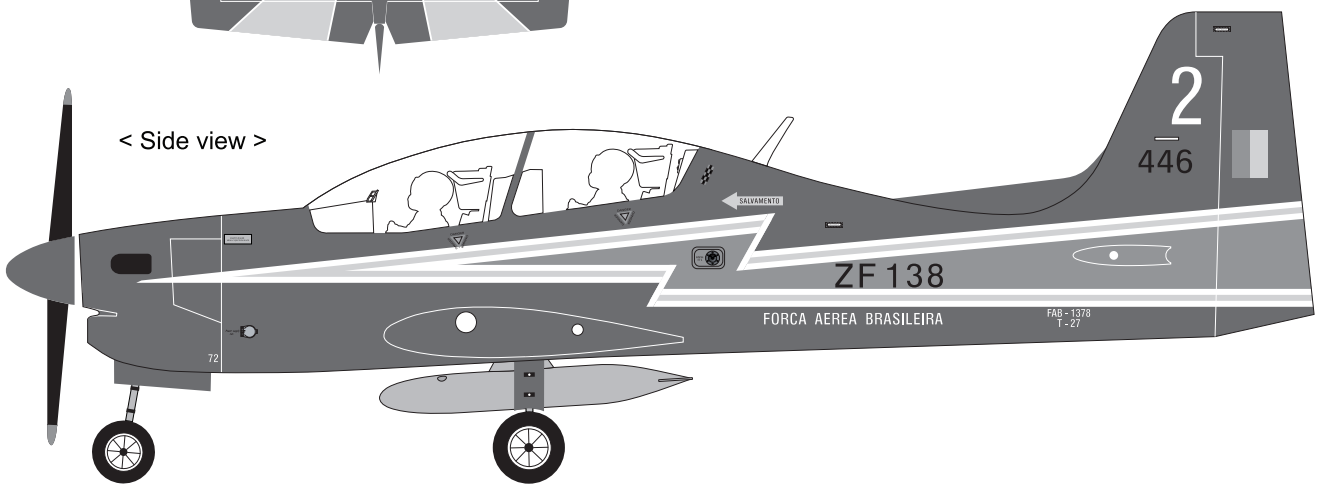
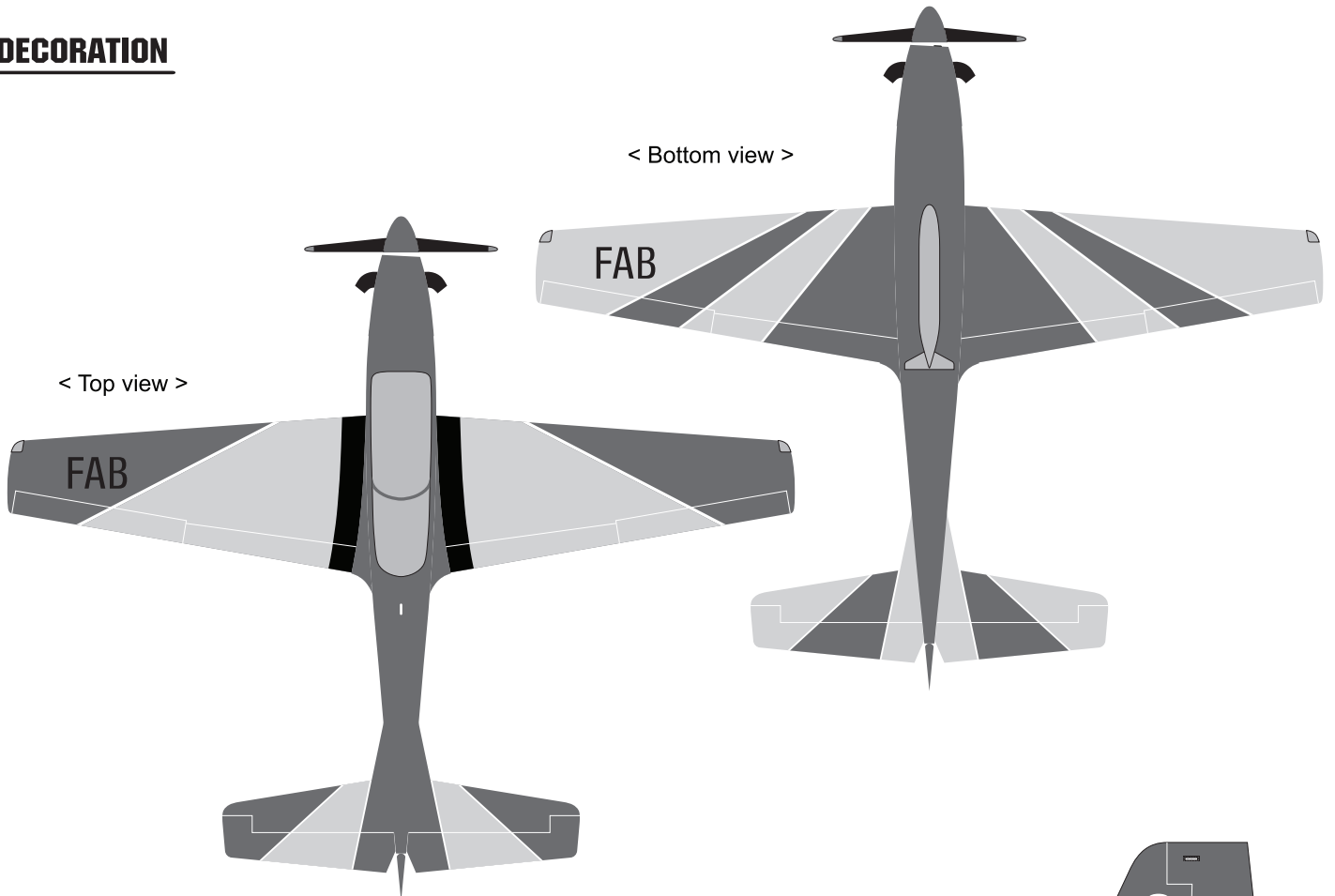
Main Gear Dimensional Detail



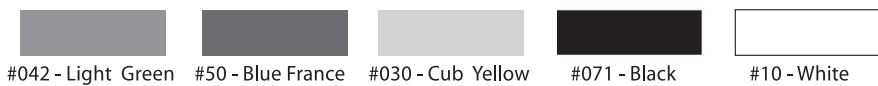
Nose Gear Dimensional Detail



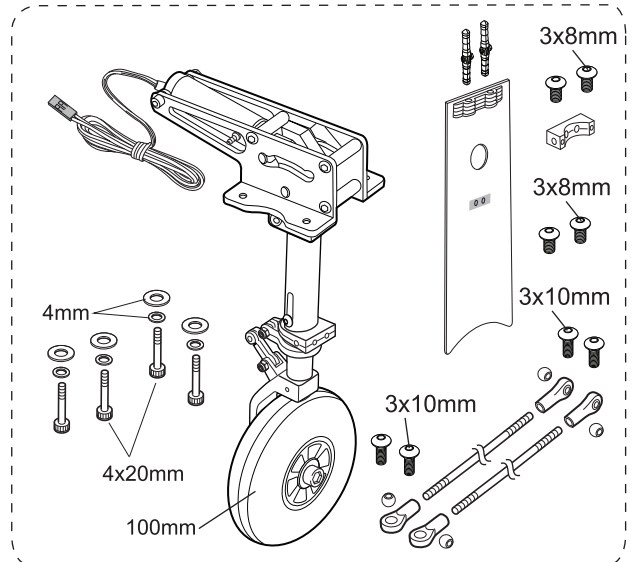
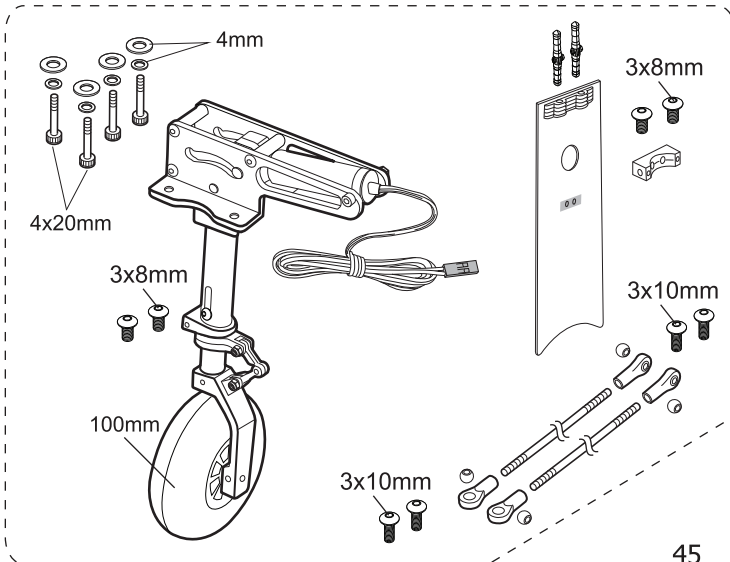
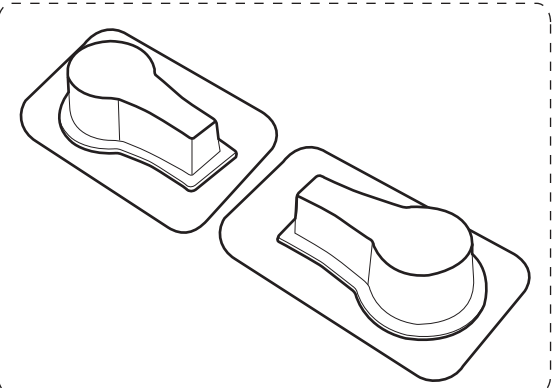
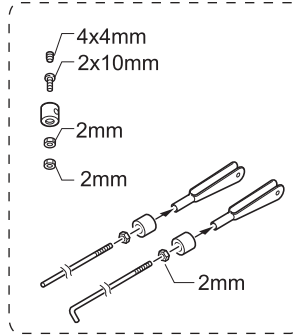
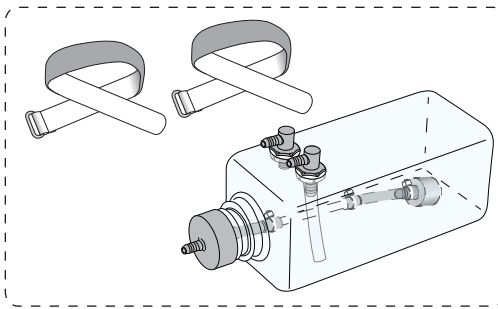
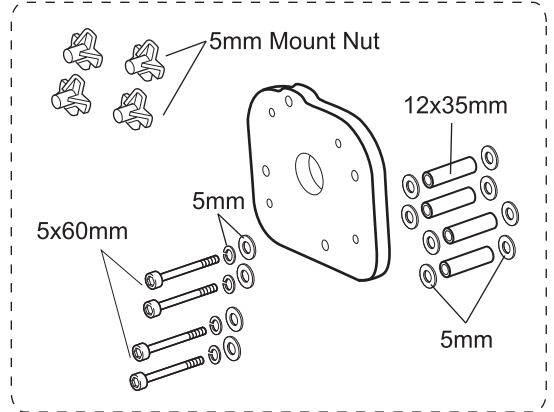
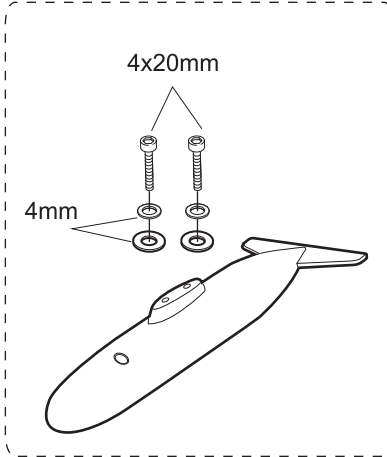
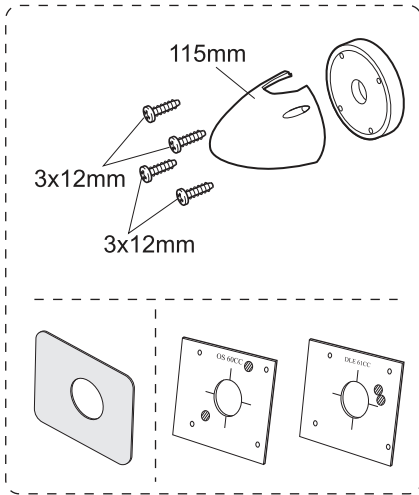
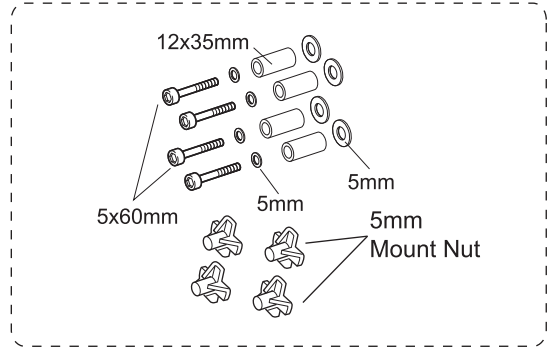
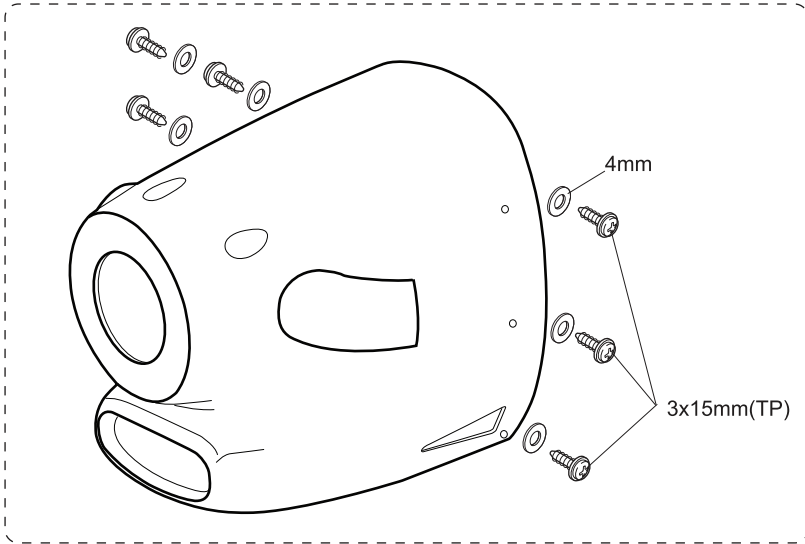
DECORATION



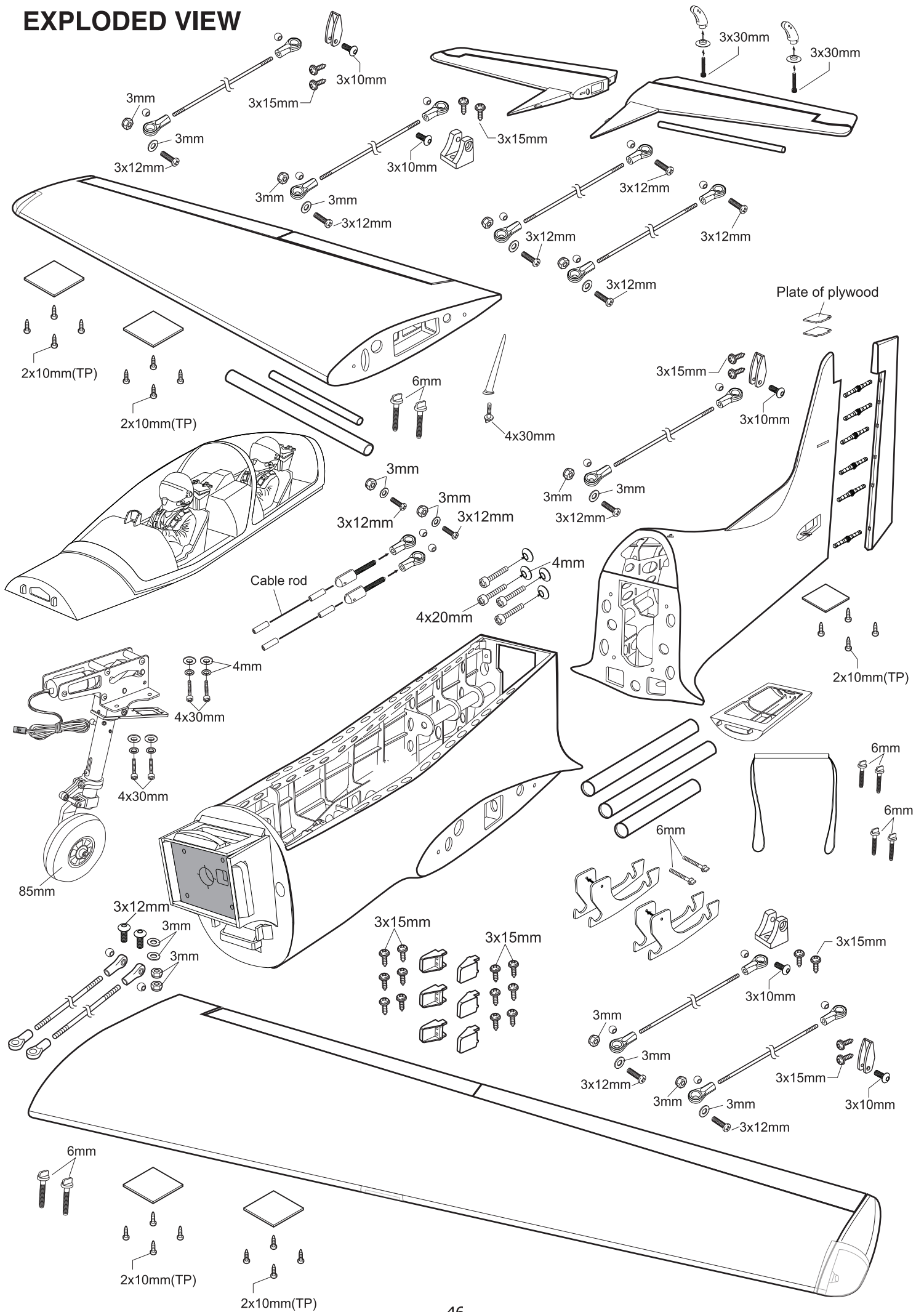
ORACCOVER



EXPLODED VIEW



EXPLODED VIEW



I/C FLIGHT GUIDELINES

