



**READ THROUGH THIS MANUAL BEFORE STARTING CONSTRUCTION. IT CONTAINS IMPORTANT INSTRUCTIONS AND WARNINGS CONCERNING THE ASSEMBLY AND USE OF THIS MODEL.**



**SPECIFICATION**

- Wingspan: 4500mm (177 in)
- Length: 2105mm (83 in)
- Flying weight: 7700gr – 7900gr
- Wing area: 123dm<sup>2</sup>
- Wing loading: 55g/dm<sup>2</sup>
- Air Foil: HQ airfoils
- Flap: 2 electric flaps 440mm (not included)
- Spinner size: Aluminum H hub propeller holder, shaft 8mm (not included)
- Motor: brushless outrunner 1480W, 450 KV (not included)
- Gravity CG: 120mm (4.7 in) Back from the leading edge of the wing, at the fuselage
- Control throw Ailerons: Low: 13mm up/down; High: 15mm up/down
- Control throw Elevators: Low: 12mm up/down; High: 14mm up/down

- Control throw Rudder: Low: 30mm right/left; High: 45mm right/left
  - Experience level: Intermediate
  - Plane type: Glider
- RECOMMENDED MOTOR AND BATTERY SET UP**
- Motor: RIMFIRE 1.20 (not included)
  - Lipo: 6cells X 2 (not included)
  - Esc: 100A (not included)

**⚠ UNDER SAFETY PRECAUTIONS**  
**This radio control model is not a toy!**

- It is highly recommended that first-time builders seek advice of experienced modelers before beginning assembly.
- Assemble this kit only in places out of children's reach!
- Take enough safety precautions prior to operating this model.  
 You are responsible for this model's assembly and safe operation!
- Always keep this instruction manual ready at hand for quick reference, even after completing the assembly.

**TABLE OF CONTENTS**

Introduction .....	1	Option 2: Installing the electric retract gear.....	
Warranty.....	2	(not included with the kit) .....	14
Disclaimer.....	2	Electric retract system.....	16
Safety precaution .....	2	Horizontal stabilizer installation .....	18
Important building notes.....	2	Installing the vertical stabilizer.....	19
Suggestion.....	2	Installing the rudder pushrod .....	20
Flight warnings.....	2	Installing the rudder servos.....	21
Flight warnings.....	3	Installing the elevator pushrod.....	22
Covering tools.....	3	Installing the elevator servos.....	23
Adhesives and required tools .....	3	Installing the electric motor .....	24
Academy of model aeronautics national		Balancing.....	26
Model aircraft safety code.....	3	Lateral balance.....	29
Preparations .....	5	Control throws.....	29
Installing the ailerons.....	5	Flight preparation pre flight check.....	30
Installing the ailerons servos .....	6	For your radio installation.....	
Installing the aileron linkages .....	7	Basic connection for airplane .....	
Installing the electric air brakes.....	9	And adjustment of servos .....	30
Secure the fuselage .....	11	Decoration .....	31
Installing the main wheel: .....		Fix gear dimension.....	32
they have 2 option.....	12	Electric retract gear dimension (not included) .....	32
Option 1: Installing the fix landing gear .....		Exploded view .....	33
(included with the kit). .....	12	Exploded view .....	34

**INTRODUCTION**

Thank you for purchasing Phoenix Model products. With over 20 years experience in production and fly testing, Phoenix Model is committed to bring the best quality products and good service to customers. Along with a team of creative engineers and skilled workers, we will always accompany with customers by our great experiences, fully enthusiasm... which will burn our passion!! Joining with us to explore and conquer challenges in the sky ...

Your satisfaction is our success. Please read through this manual before starting construction.

**Academy of Model Aeronautics:** If you are not already a member of the AMA, please join! The AMA is the governing body of model aviation and membership provides liability insurance coverage, protects modelers' rights and interests and is required to fly at most R/C sites.

**Academy of Model Aeronautics**  
5151 East Memorial Drive Muncie, IN 47302-9252

Tele. (800) 435-9262  
Fax (765) 741-0057

Or via the Internet at: <http://www.modelaircraft.org>



**WARRANTY**

Phoenix Model guarantees the component parts in this kit to be free from defects in both material and workmanship at the date of purchase by the purchaser.

This warranty does not cover cosmetic damage or damage due to acts of God, accident, misuse, abuse, negligence, commercial use, or modification of or to any part of the Product.

This warranty does not cover damage due to improper installation, operation, maintenance, or attempted repair by anyone other than Phoenix Model.

Further, Phoenix Model reserves the right to change or modify this warranty without notice.

**DISCLAIMER**

Read this disclaimer carefully before using this product. Please strictly follow the instruction manual to assemble and use this.

In that Phoenix Model has no control over the final assembly or material used for final assembly, Phoenix Model is not responsible for loss of use, or other incidental or consequential damages.

Furthermore, Phoenix Model cannot be held liable for personal injury or property damage caused by the use or misuse of Phoenix Model products. By the act of using the user-assembled products, the user accepts all resulting liability.

**SAFETY PRECAUTION**

- This is not a toy and pilots must be over the age of 14
- Be sure that no other flyers are using your radio frequency.
- Do not smoke near fuel
- Store fuel in a cool, dry place, away from children and pets.
- Wear safety glasses.
- The glow plug clip must be securely attached to the glow plug.
- Do not flip the propeller with your fingers.
- Keep loose clothing and wires away from the propeller.
- Do not start the engine if people are near. Do not stand in line with the side of the propeller.
- Make engine adjustments from behind the propeller only. Do not reach around the spinning propeller.
- Moisture causes damage to electronics. Avoid water exposure to all equipment not specifically designed and protected for this purpose.

**IMPORTANT BUILDING NOTES**

- Please trial fit all the parts. Make sure you have the correct parts and that they fit and are aligned properly before gluing! This will assure proper assembly. This kit is hand made from natural materials, every plane is unique and minor adjustments may have to be made. However, you should find the fit superior and assembly simple.

- The painted and plastic parts used in this kit are fuel proof. However, they are not tolerant of many harsh chemicals including the following: paint thinner, C/A glue accelerator, C/A glue debonder and acetone. Do not let these chemicals come in contact with the colors on the covering and the plastic parts.

- Some parts included in this kit such as the cowl or wheel pants are made of fiberglass, the fibers of which may cause eye, skin and respiratory tract irritation. Never blow into a part to remove fiberglass dust, as the dust will blow back into your eyes. Always wear safety goggles, a particle mask and rubber gloves when grinding, drilling and sanding fiberglass parts. Vacuum the parts and the work area thoroughly after working with fiberglass parts.

**SUGGESTION**

To avoid scratching your new airplane, do not unwrap the pieces until they are needed for assembly. Cover your workbench with an old towel or brown paper, both to protect the aircraft and to protect the table. Keep a couple of jars or bowls handy to hold the small parts after you open the bag.

**FLIGHT WARNINGS**

- Always operate in open areas, away from factories, hospitals, schools, buildings and houses etc.
- NEVER fly your aircraft close to people or built up areas.
- NEVER fly near power lines, aerials or other dangerous areas including airports, motorways etc.
- NEVER fly in wet conditions or on windy or stormy days.
- ALWAYS adjust the engine from behind the propeller, and do not allow any part of your body to be in line with the propeller.
- THE PROPELLER IS DANGEROUS Keep fingers, clothing (ties, shirt sleeves, scarves) or any other loose objects that could be caught or drawn in, away from the propeller. Take care at ALL times.
- NEVER use damaged or deformed propellers or spinners.
- Keep all onlookers (especially small children and animals) well back from the area of operation. This is a flying aircraft, which will cause serious injury in case of impact with a person or animal.
- DO NOT dispose of empty fuel containers on a fire, this can lead to an explosion.

**FLIGHT WARNINGS**

- When ready to fly, first extend the transmitter aerial.
- Switch on the transmitter.
- Switch on the receiver.
- Check that the wings are correctly fitted to the fuselage.
- Operate the control sticks on the transmitter and check that the control surfaces move freely and in the CORRECT directions.
- Check that the transmitter batteries have adequate power.
- ALWAYS take off into the wind.
- If the model does not respond correctly to the controls, land it as soon as possible and correct the fault.
- ALWAYS land the model INTO the wind, this ensures that the model lands at the slowest possible speed.
- Switch off the receiver.
- Switch off the transmitter.
- Empty the fuel tank after flying, fuel left in the tank can cause corrosion and lead to engine problems.

**COVERING TOOLS**

- Top Flite® MonoKote® Sealing Iron
- Top Flite Hot Sock Iron Cover
- Top Flite MonoKote Trim Seal Iron
- Top Flite MonoKote Heat Gun

**ADHESIVES AND REQUIRED TOOLS**

- Thin CA
- 30-minute epoxy
- 6-minute epoxy
- Threadlocker thread locking cement
- Mixing sticks
- Mixing cups (GPMR8056)
- Epoxy brushes
- Denatured alcohol
- Canopy Glue
- Felt-tipped pen or pencil
- Flat screwdriver
- Adjustable wrench
- Drill
- Hobby knife
- Masking tape
- Phillips screwdriver (large)
- Phillips screwdriver (small)
- Ruler
- Sandpaper
- Soldering iron
- Solder
- Hex wrench
- Drill bit: 1/16-inch (1.5mm), 5/64-inch (2mm), 1/8-inch (3,2mm), 3/16-inch (4,8mm), 11/64-inch (4.5mm), 13/64-inch (5,2mm), 1/4-inch (6,4mm)

**Academy of Model Aeronautics National Model Aircraft Safety Code****Effective January 1, 2014**

A. GENERAL: A model aircraft is a non-human-carrying aircraft capable of sustained flight in the atmosphere. It may not exceed limitations of this code and is intended exclusively for sport, recreation, education and/or competition. All model flights must be conducted in accordance with this safety code and any additional rules specific to the flying site.

1. Model aircraft will not be flown:
  - (a) In a careless or reckless manner.
  - (b) At a location where model aircraft activities are prohibited.
2. Model aircraft pilots will:
  - (a) Yield the right of way to all human-carrying aircraft.
  - (b) See and avoid all aircraft and a spotter must be used when appropriate. (AMA Document #540-D.)
  - (c) Not fly higher than approximately 400 feet above ground level within three (3) miles of an airport without notifying the airport operator.
  - (d) Not interfere with operations and traffic patterns at any airport, heliport or seaplane base except where there is a mixed use agreement.
  - (e) Not exceed a takeoff weight, including fuel, of 55 pounds unless in compliance with the AMA Large Model Airplane program. (AMA Document 520-A.)
  - (f) Ensure the aircraft is identified with the name and address or AMA number of the owner on the inside or affixed to the outside of the model aircraft. (This does not apply to model aircraft flown indoors.)
  - (g) Not operate aircraft with metal-blade propellers or with gaseous boosts except for helicopters operated under the provisions of AMA Document #555.
  - (h) Not operate model aircraft while under the influence of alcohol or while using any drug that could adversely affect the pilot's ability to safely control the model.
  - (i) Not operate model aircraft carrying pyrotechnic devices that explode or burn, or any device which propels a projectile or drops any object that creates a hazard to persons or property.

**Exceptions:**

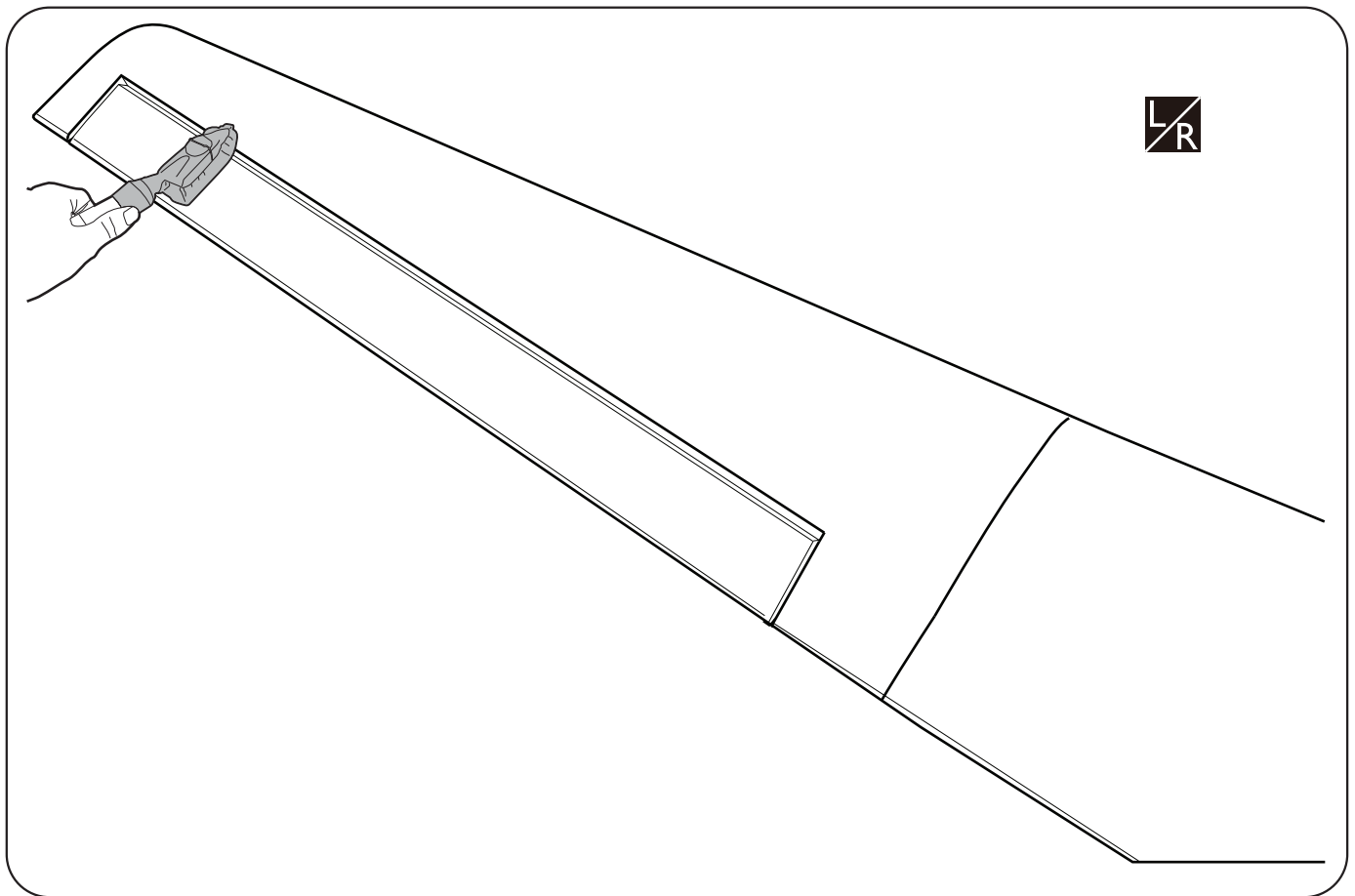
- Free Flight fuses or devices that burn producing smoke and are securely attached to the model aircraft during flight.
- Rocket motors (using solid propellant) up to a G-series size may be used provided they remain attached to the model during flight. Model rockets may be flown in accordance with the National Model Rocketry Safety Code but may not be launched from model aircraft.



- Officially designated AMA Air Show Teams (AST) are authorized to use devices and practices as defined within the Team AMA Program Document. (AMA Document #718.)
- (j) Not operate a turbine-powered aircraft, unless in compliance with the AMA turbine regulations. (AMA Document #510-A.)
- 3. Model aircraft will not be flown in AMA sanctioned events, air shows or model demonstrations unless:
  - (a) The aircraft, control system and pilot skills have successfully demonstrated all maneuvers intended or anticipated prior to the specific event.
  - (b) An inexperienced pilot is assisted by an experienced pilot.
- 4. When and where required by rule, helmets must be properly worn and fastened. They must be OSHA, DOT, ANSI, SNELL or NOCSAE approved or comply with comparable standards.
- B. RADIO CONTROL (RC)
  - 1. All pilots shall avoid flying directly over unprotected people, vessels, vehicles or structures and shall avoid endangerment of life and property of others.
  - 2. A successful radio equipment ground-range check in accordance with manufacturer's recommendations will be completed before the first flight of a new or repaired model aircraft.
  - 3. At all flying sites a safety line(s) must be established in front of which all flying takes place. (AMA Document #706.)
    - (a) Only personnel associated with flying the model aircraft are allowed at or in front of the safety line.
    - (b) At air shows or demonstrations, a straight safety line must be established.
    - (c) An area away from the safety line must be maintained for spectators.
    - (d) Intentional flying behind the safety line is prohibited.
  - 4. RC model aircraft must use the radio-control frequencies currently allowed by the Federal Communications Commission (FCC). Only individuals properly licensed by the FCC are authorized to operate equipment on Amateur Band frequencies.
  - 5. RC model aircraft will not knowingly operate within three (3) miles of any pre-existing flying site without a frequency-management agreement. (AMA Documents #922 and #923.)
  - 6. With the exception of events flown under official AMA Competition Regulations, excluding takeoff and landing, no powered model may be flown outdoors closer than 25 feet to any individual, except for the pilot and the pilot's helper(s) located at the flightline.
  - 7. Under no circumstances may a pilot or other person touch an outdoor model aircraft in flight while it is still under power, except to divert it from striking an individual.
  - 8. RC night flying requires a lighting system providing the pilot with a clear view of the model's attitude and orientation at all times. Hand-held illumination systems are inadequate for night flying operations.
  - 9. The pilot of an RC model aircraft shall:
    - (a) Maintain control during the entire flight, maintaining visual contact without enhancement other than by corrective lenses prescribed for the pilot.
    - (b) Fly using the assistance of a camera or First-Person View (FPV) only in accordance with the procedures outlined in AMA Document #550.
    - (c) Fly using the assistance of autopilot or stabilization system only in accordance with the procedures outlined in AMA Document #560.
- C. FREE FLIGHT
  - 1. Must be at least 100 feet downwind of spectators and automobile parking when the model aircraft is launched.
  - 2. Launch area must be clear of all individuals except mechanics, officials, and other fliers.
  - 3. An effective device will be used to extinguish any fuse on the model aircraft after the fuse has completed its function.
- D. CONTROL LINE
  - 1. The complete control system (including the safety thong where applicable) must have an inspection and pull test prior to flying.
  - 2. The pull test will be in accordance with the current Competition Regulations for the applicable model aircraft category.
  - 3. Model aircraft not fitting a specific category shall use those pull-test requirements as indicated for Control Line Precision Aerobatics.
  - 4. The flying area must be clear of all utility wires or poles and a model aircraft will not be flown closer than 50 feet to any above-ground electric utility lines.
  - 5. The flying area must be clear of all nonessential participants and spectators before the engine is started.

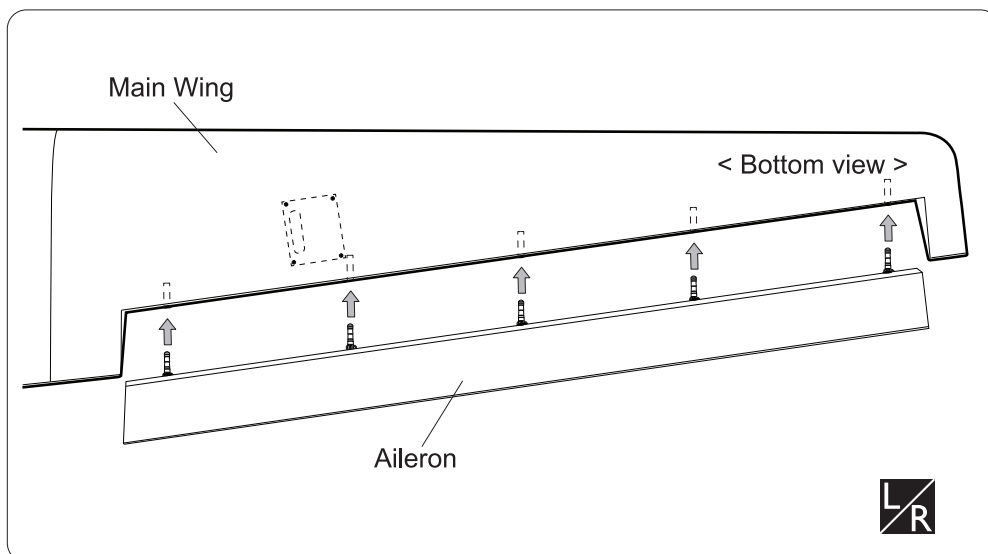
**PREPARATIONS**

Use a covering iron with a covering sock on high heat to tighten the covering if necessary. Apply pressure over sheeted areas to thoroughly bond the covering to the wood.



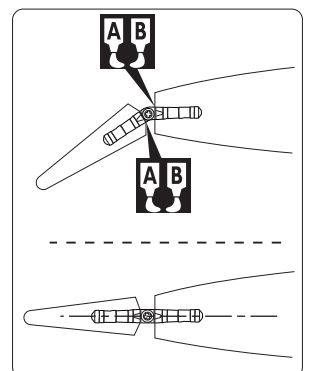
**L/R** Assemble left and right sides the same way

**INSTALLING THE AILERONS**



**A/B** Apply epoxy glue

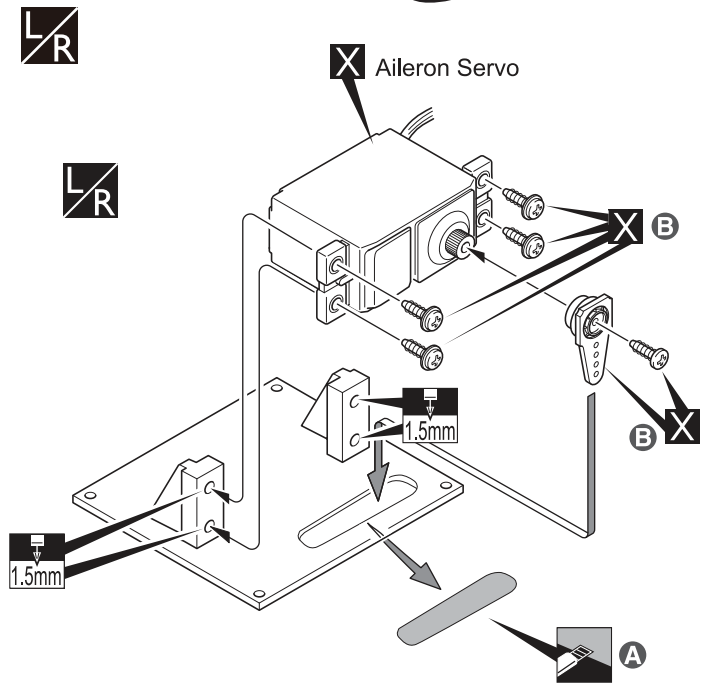
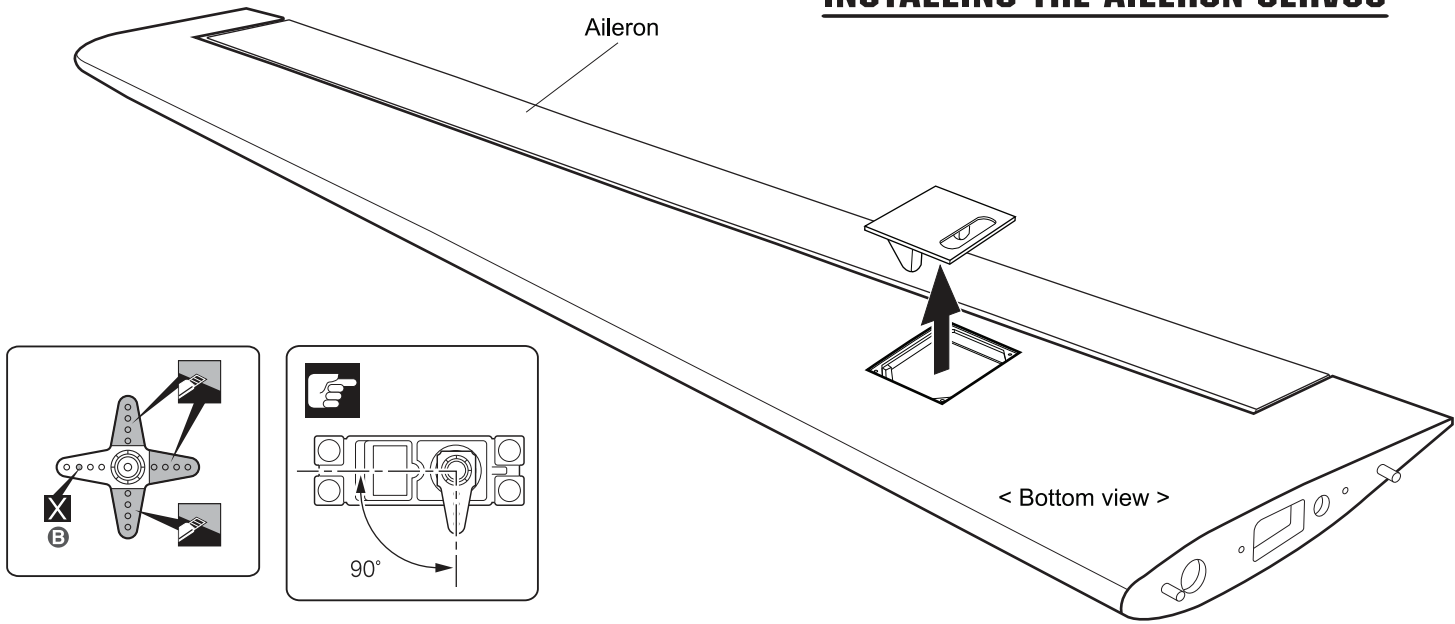
**L/R** Assemble left and right sides the same way



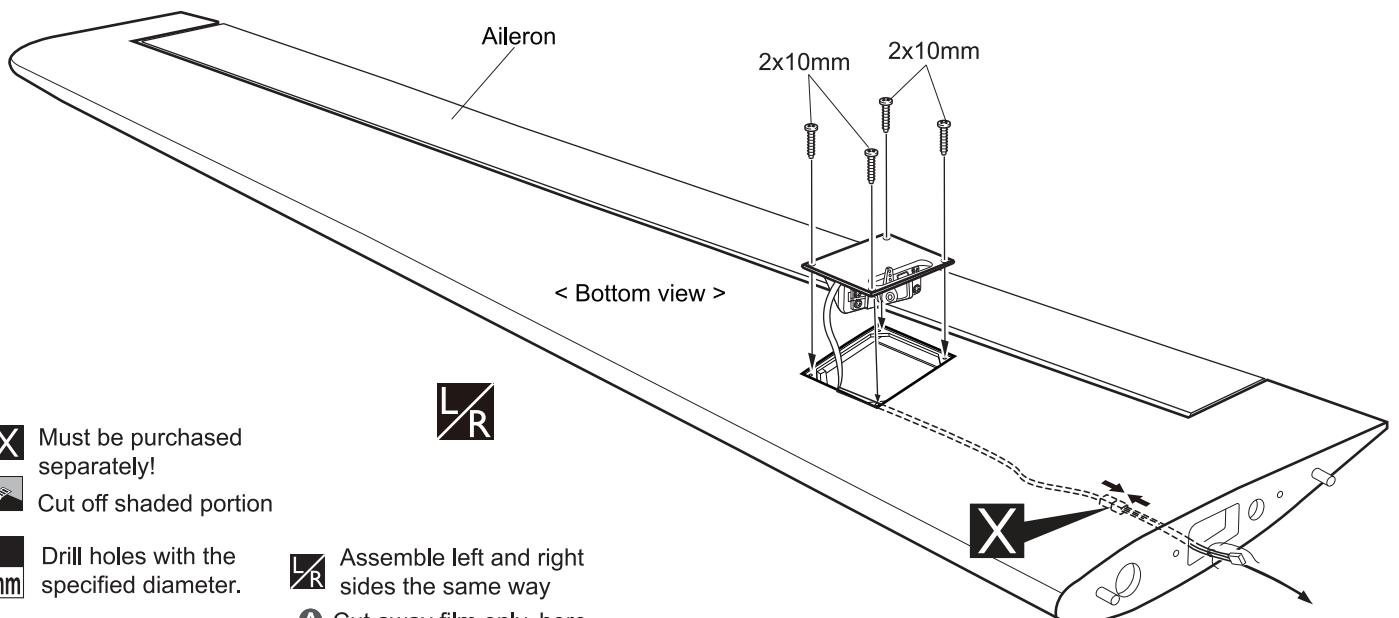
**Warning!**

► Make certain the hinges are adequately secured with glue. If they come loose in flight accidents may result.

**INSTALLING THE AILERON SERVOS**



2 x 10mm TP Screw  
..... 8

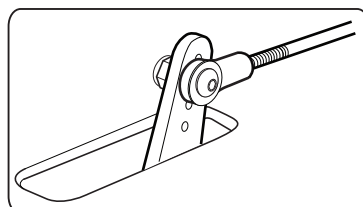
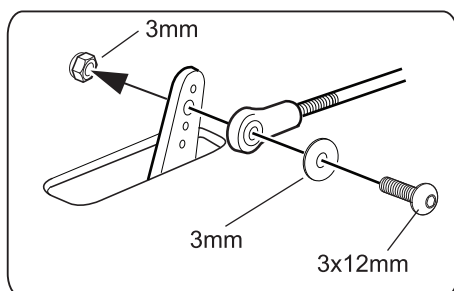
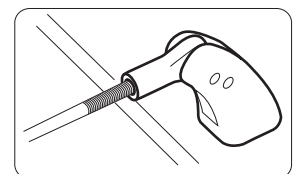
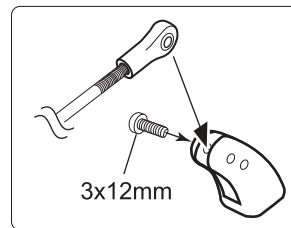
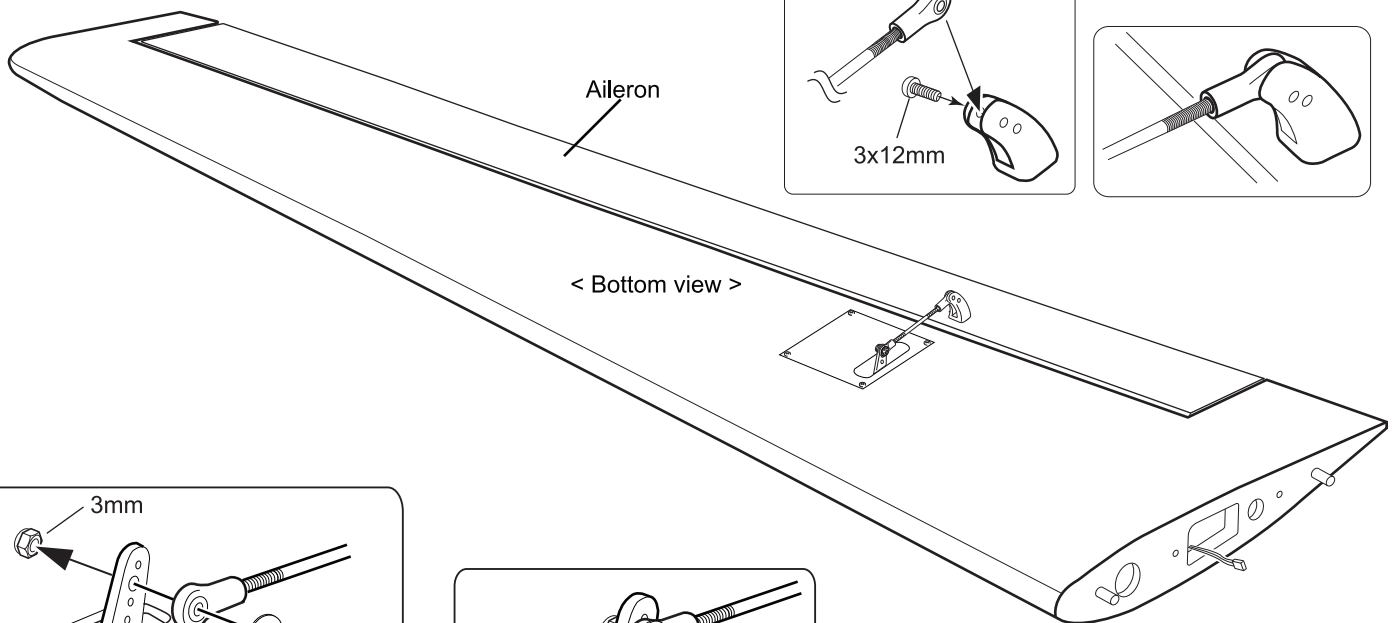
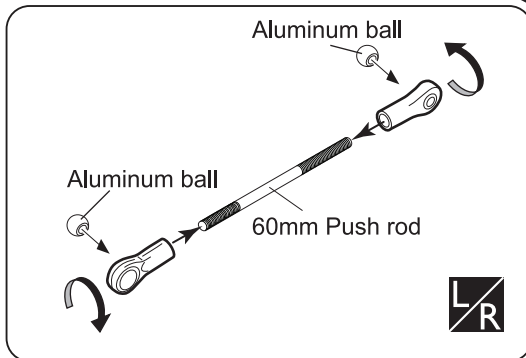
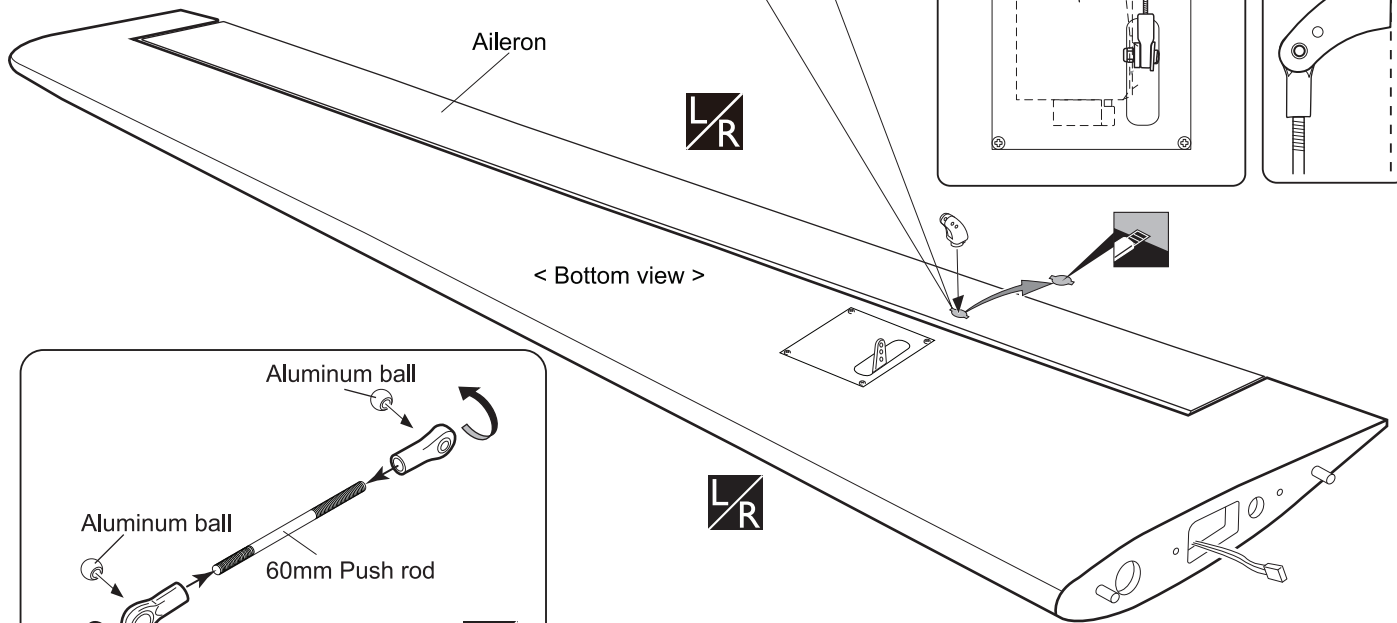
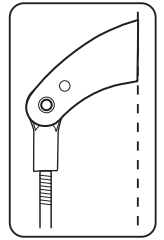
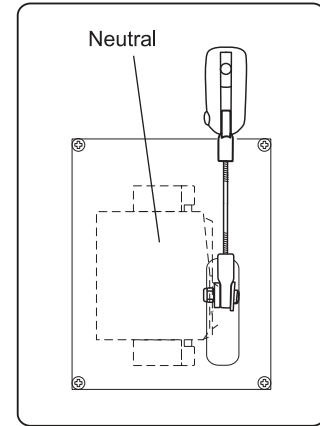
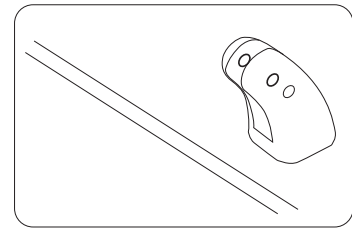
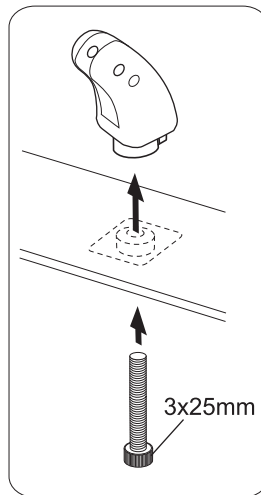
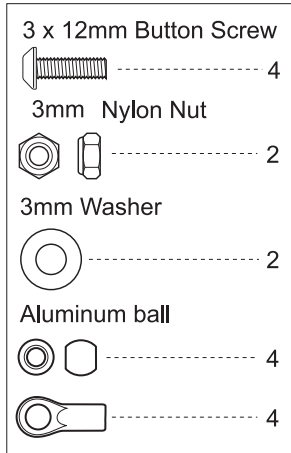
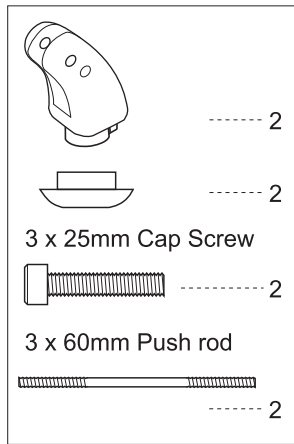


- Must be purchased separately!
- Cut off shaded portion

- Drill holes with the specified diameter.
- Drill holes with the specified diameter.

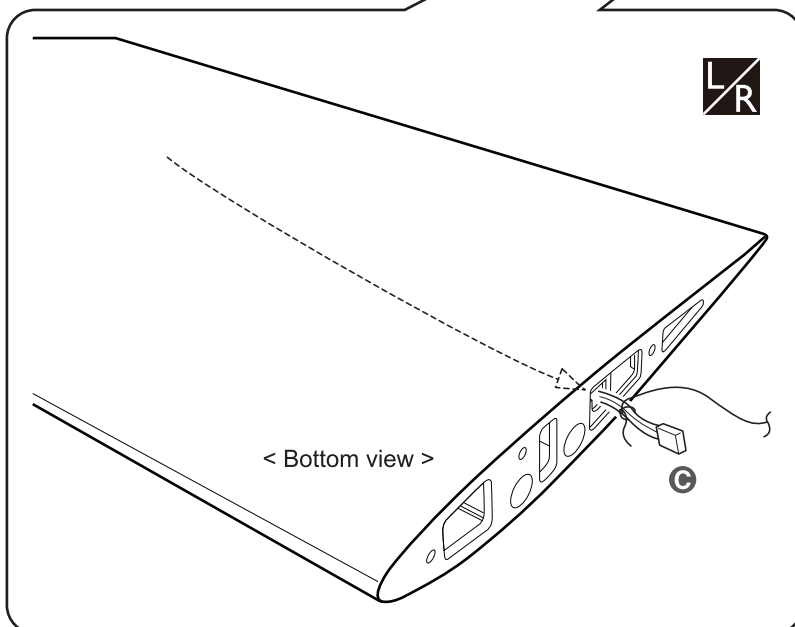
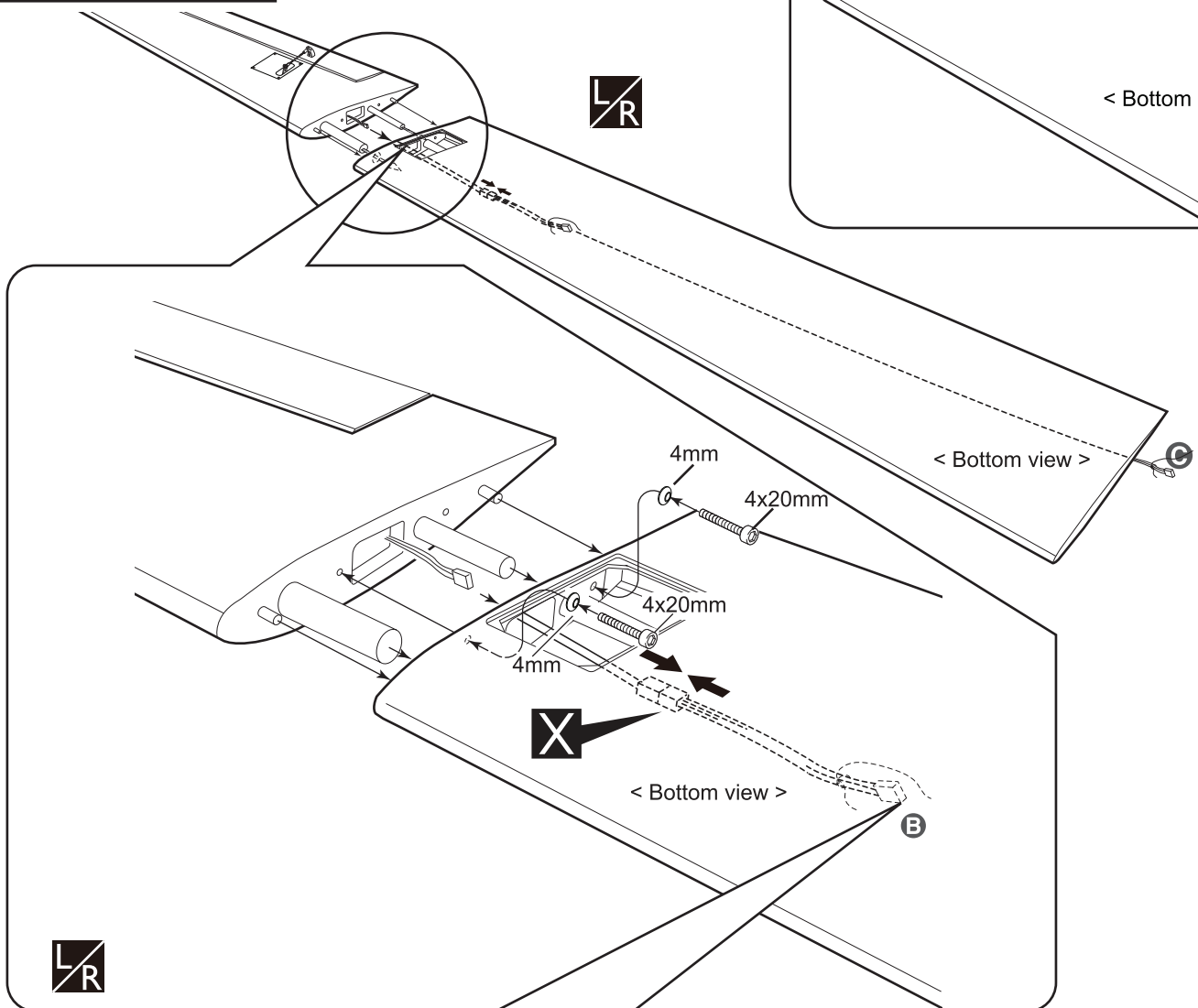
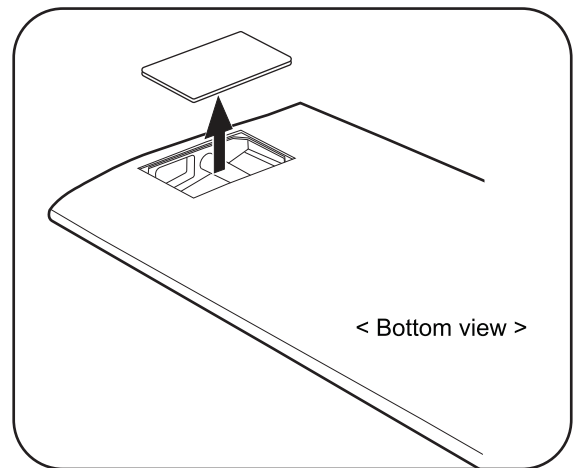
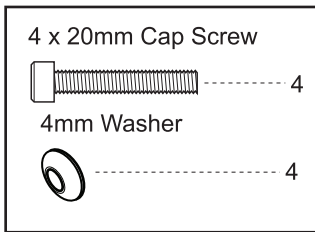
- Assemble left and right sides the same way
- Cut away film only, here
- Supplied with the servo

**INSTALLING THE AILERONS LINKAGES**



Cut off shaded portion  
 Assemble left and right sides the same way





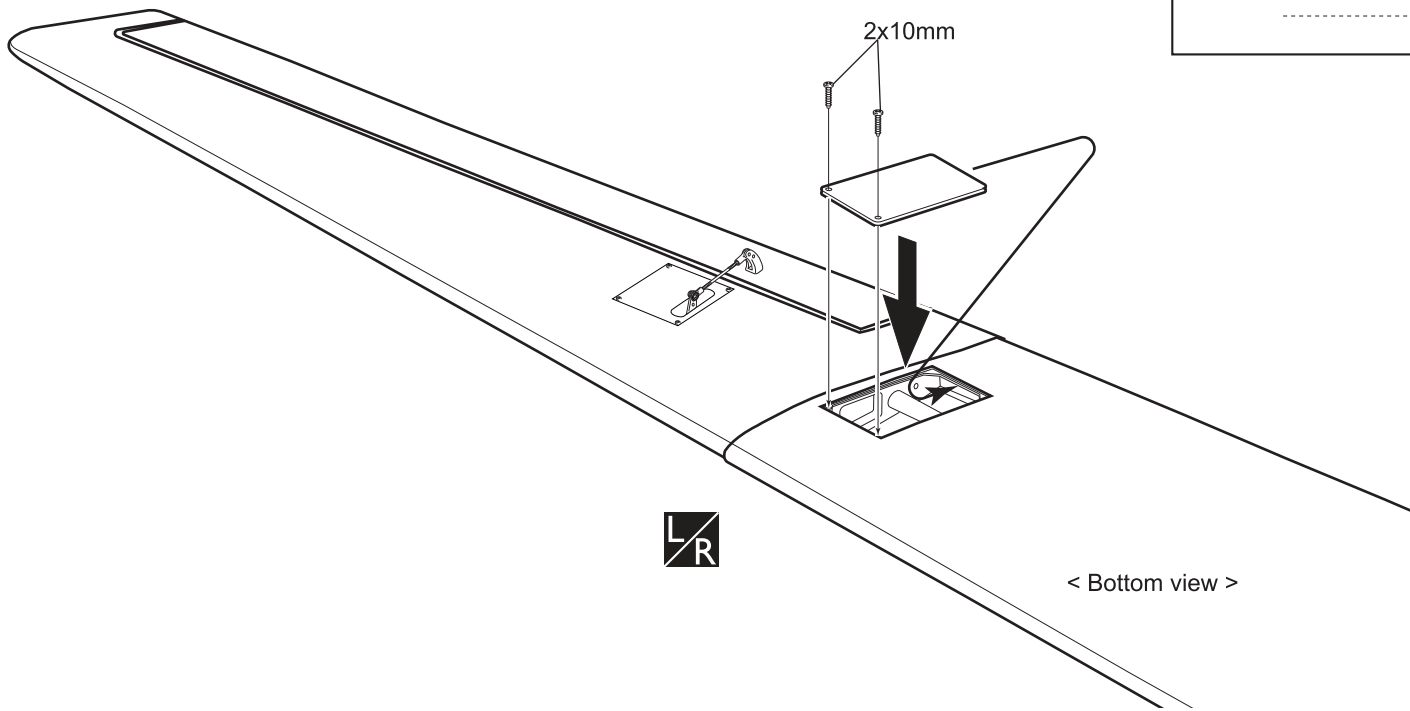
▶ Set all screws securely. If they come off during flight you will lose control of your aircraft!

- B** Tie the string.
- C** Pull out servo cord with string.

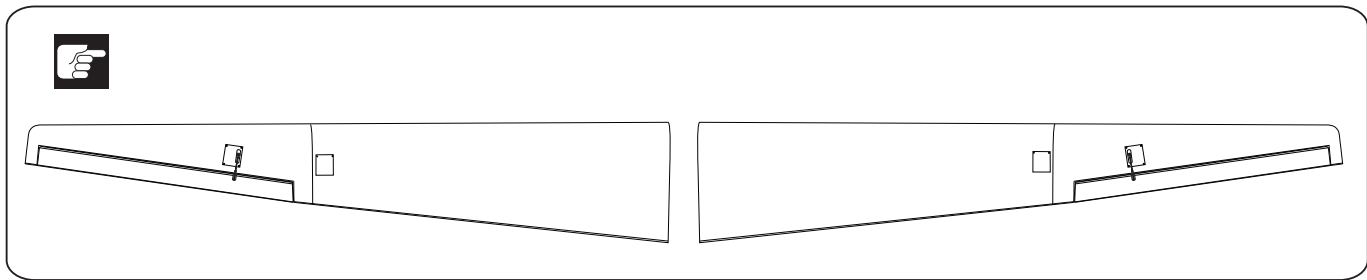
**X** Must be purchased separately!

**LR** Assemble left and right sides the same way

2 x 10mm TP Screw  
..... 4



< Bottom view >

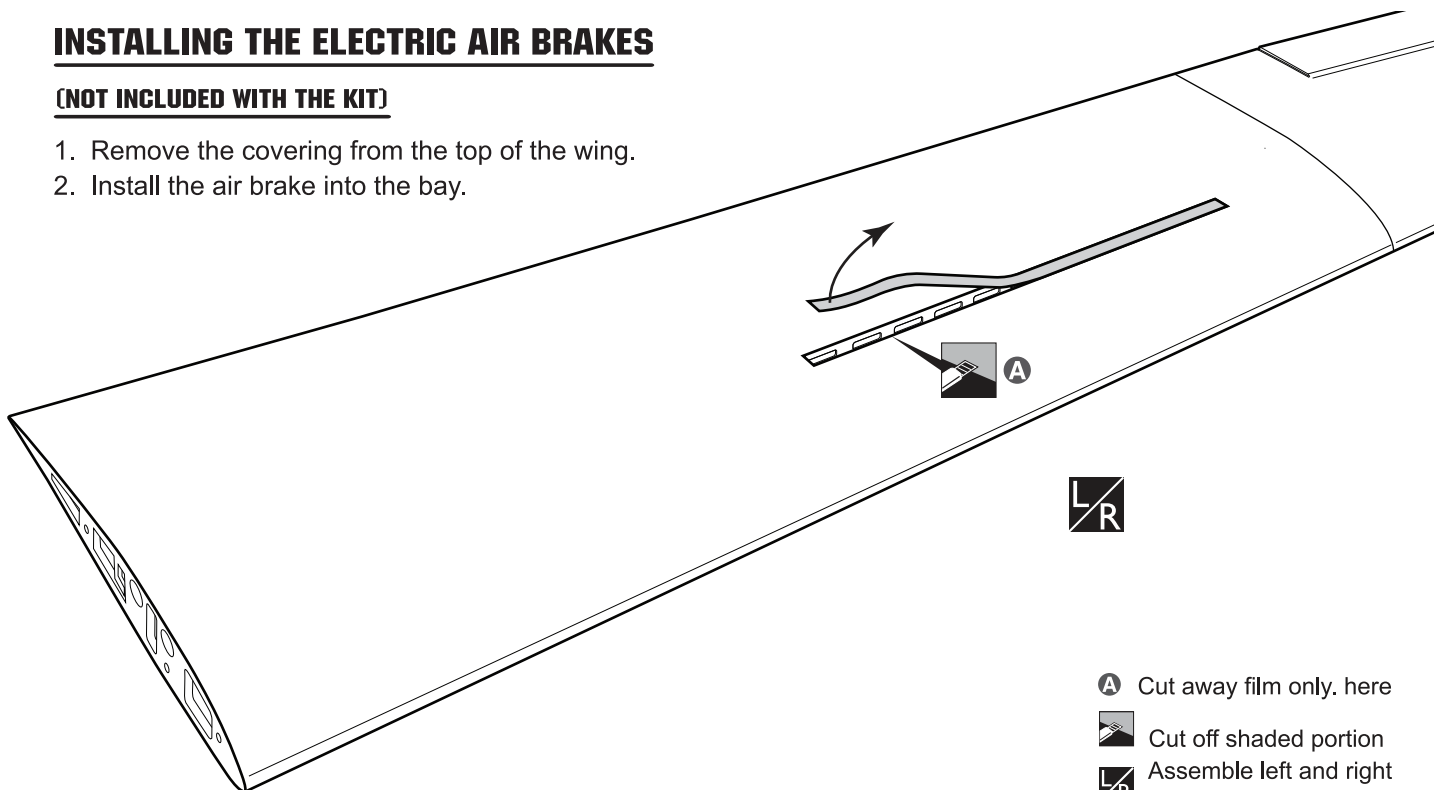


Pay close attention

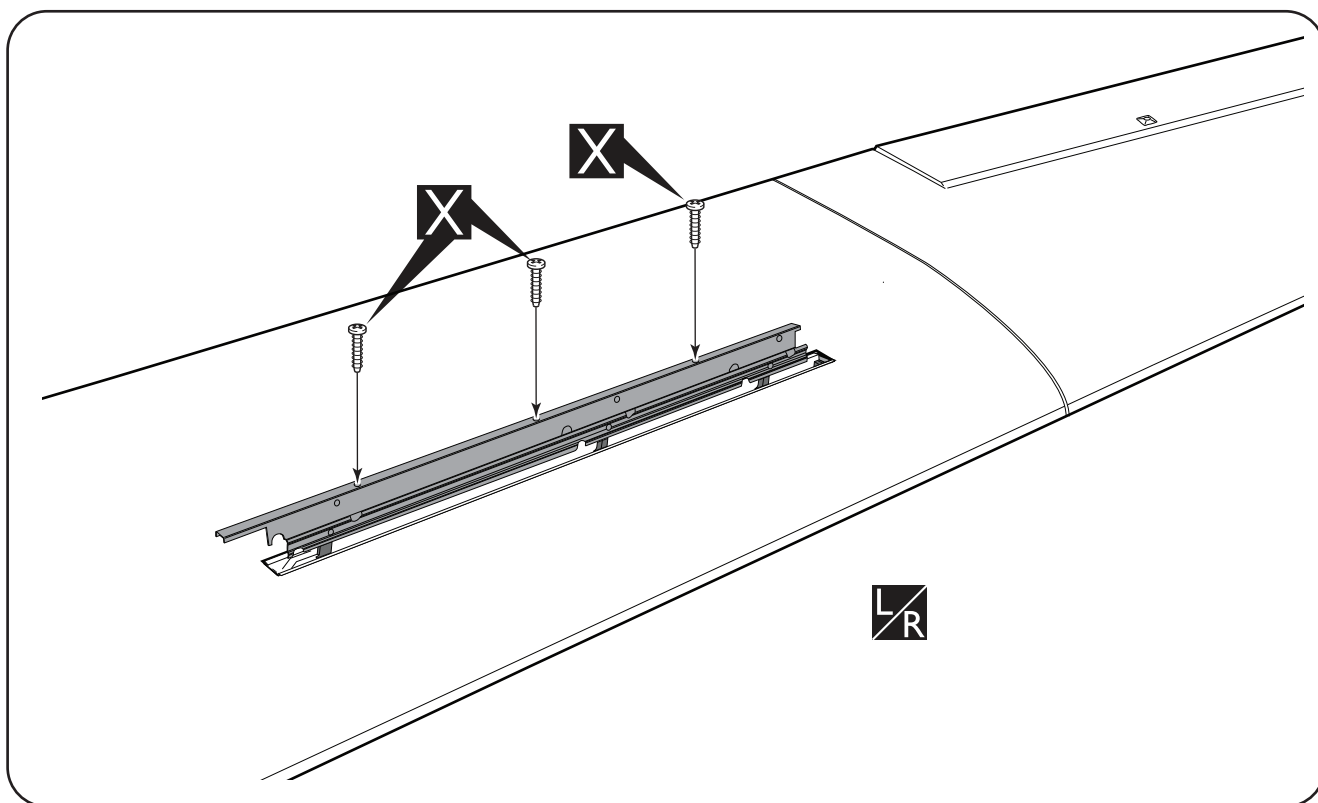
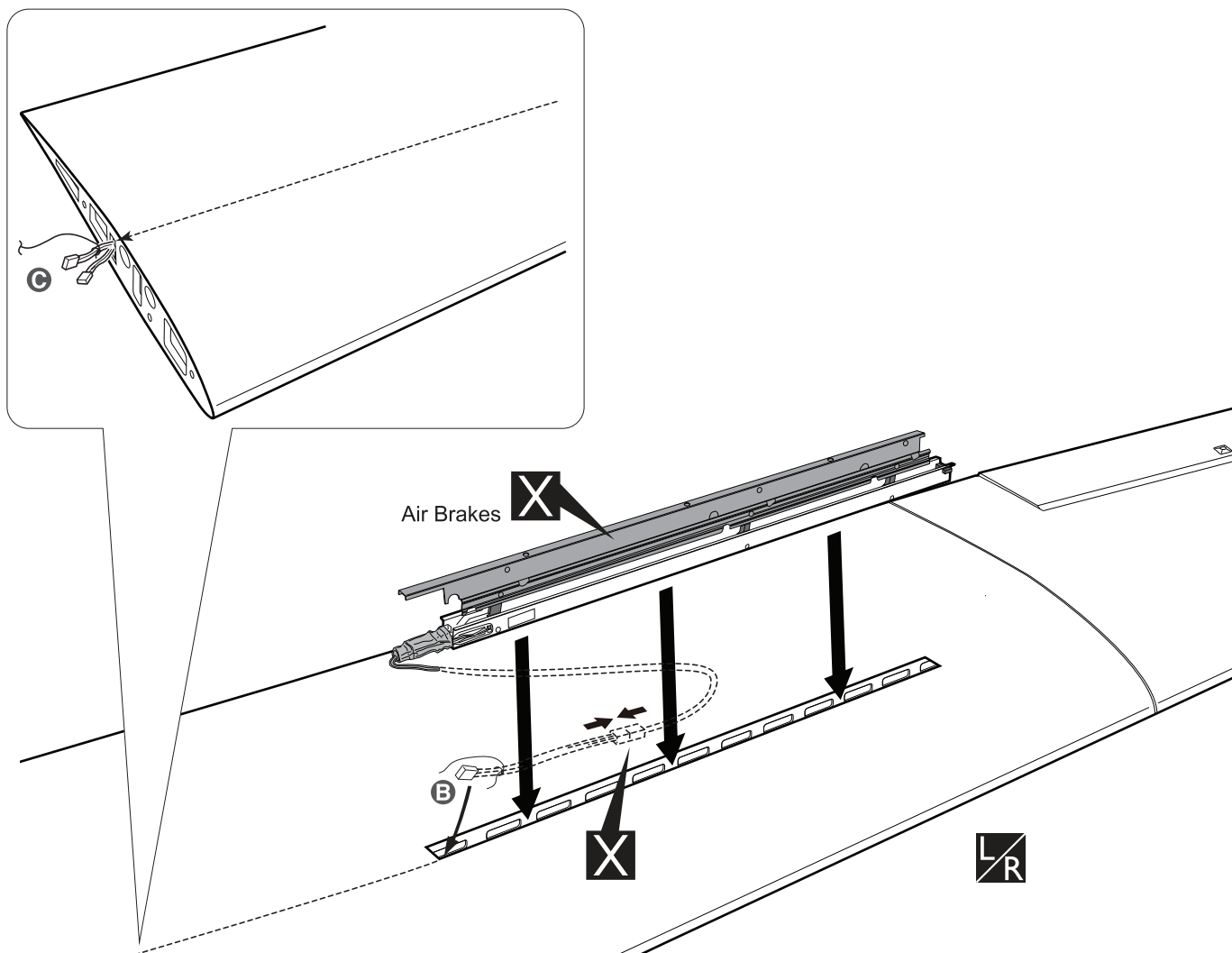
**INSTALLING THE ELECTRIC AIR BRAKES**

**(NOT INCLUDED WITH THE KIT)**

1. Remove the covering from the top of the wing.
2. Install the air brake into the bay.



- A Cut away film only. here
- Cut off shaded portion
- Assemble left and right sides the same way

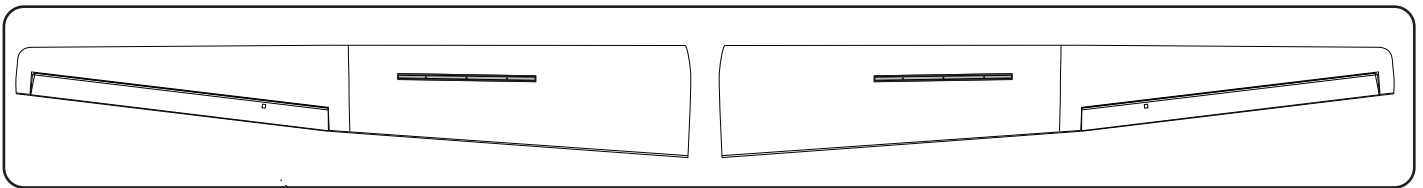
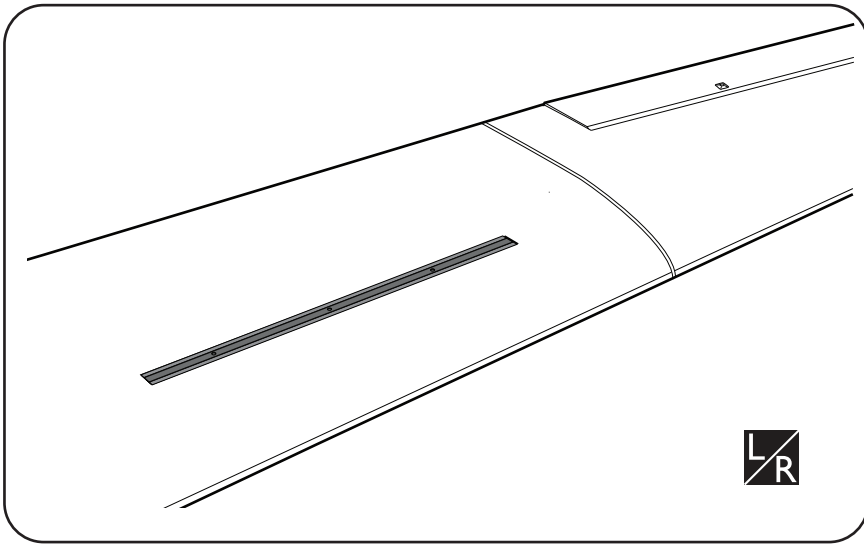



**B** Supplied with the servo

**LR** Assemble left and right sides the same way

**C** Pull out servo cord with string.

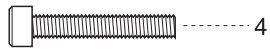
**X** Must be purchased separately!



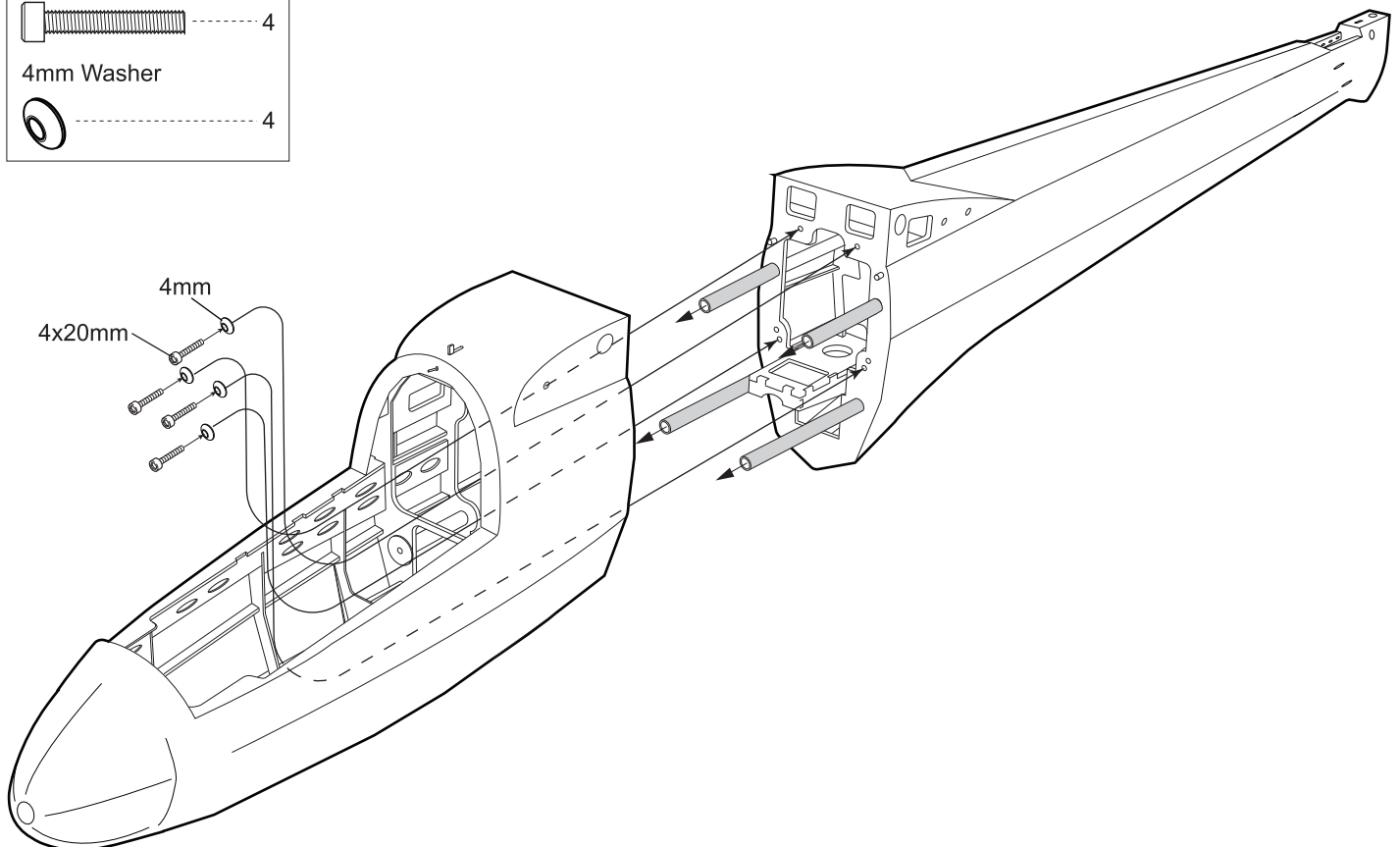
 Assemble left and right sides the same way

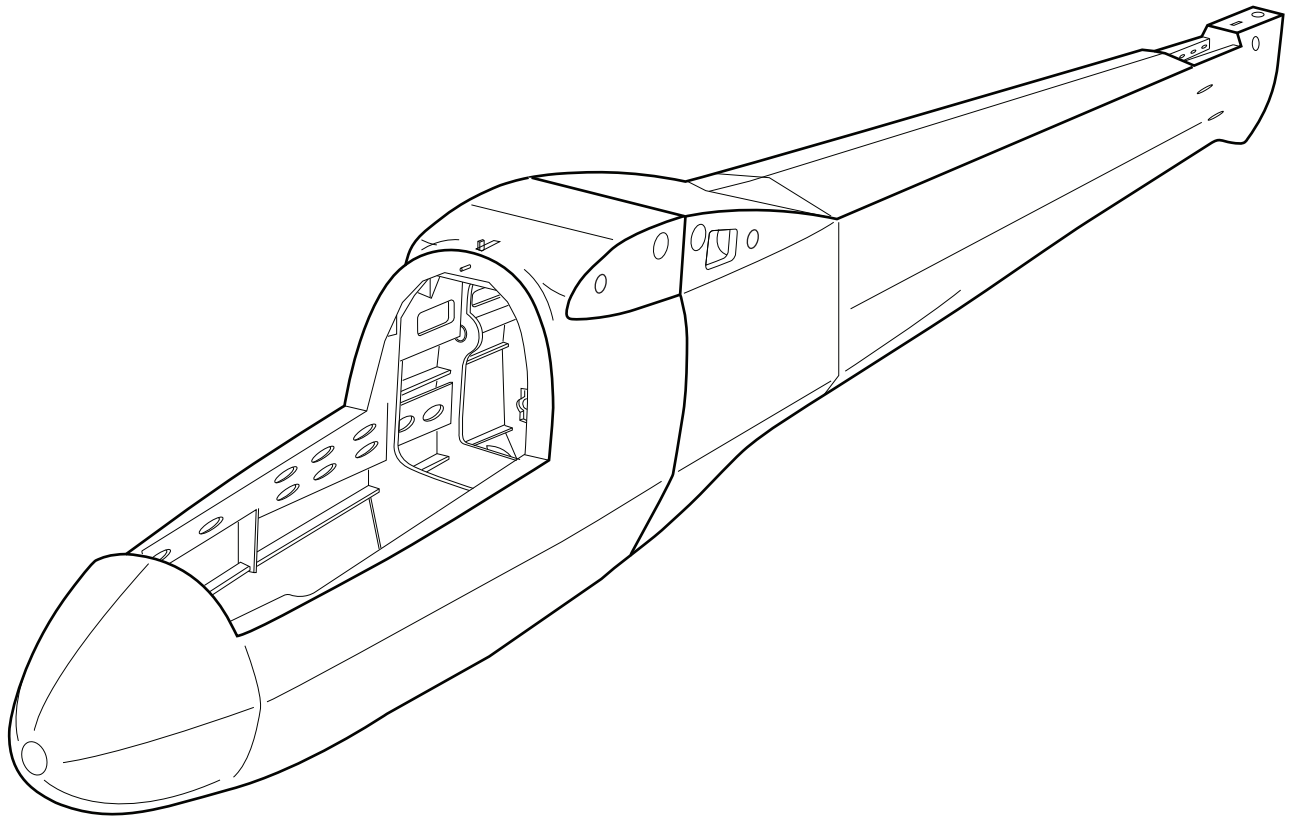
### SECURE THE FUSELAGE

4 x 20mm Cap Screw



4mm Washer

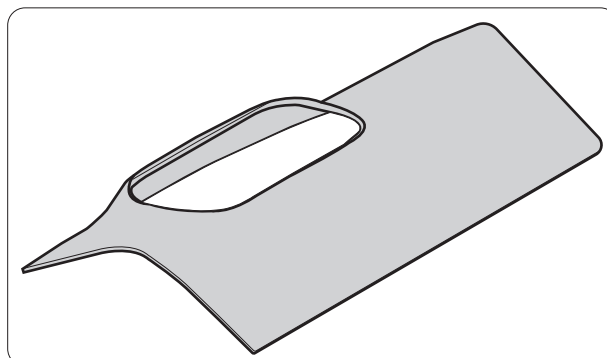
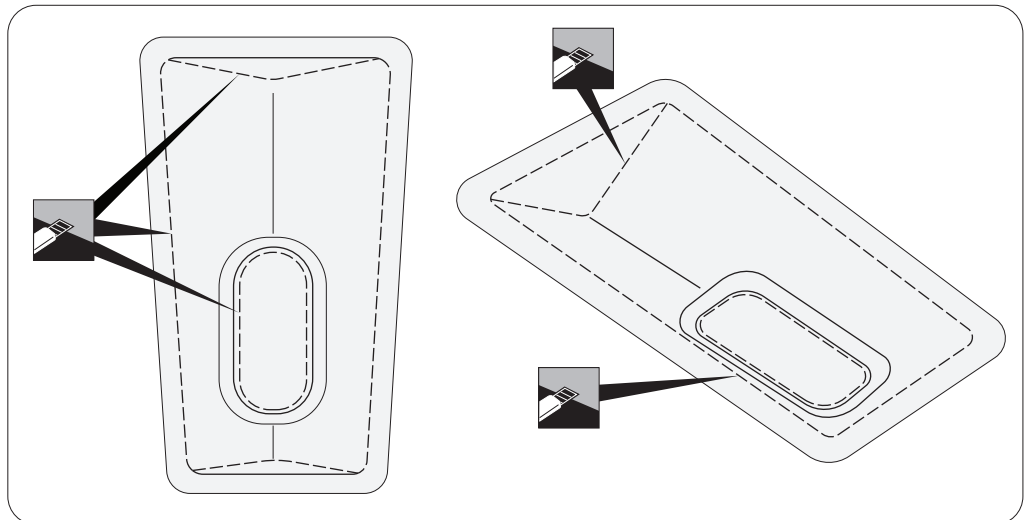




**INSTALLING THE MAIN WHEEL: THEY HAVE 2 OPTION**

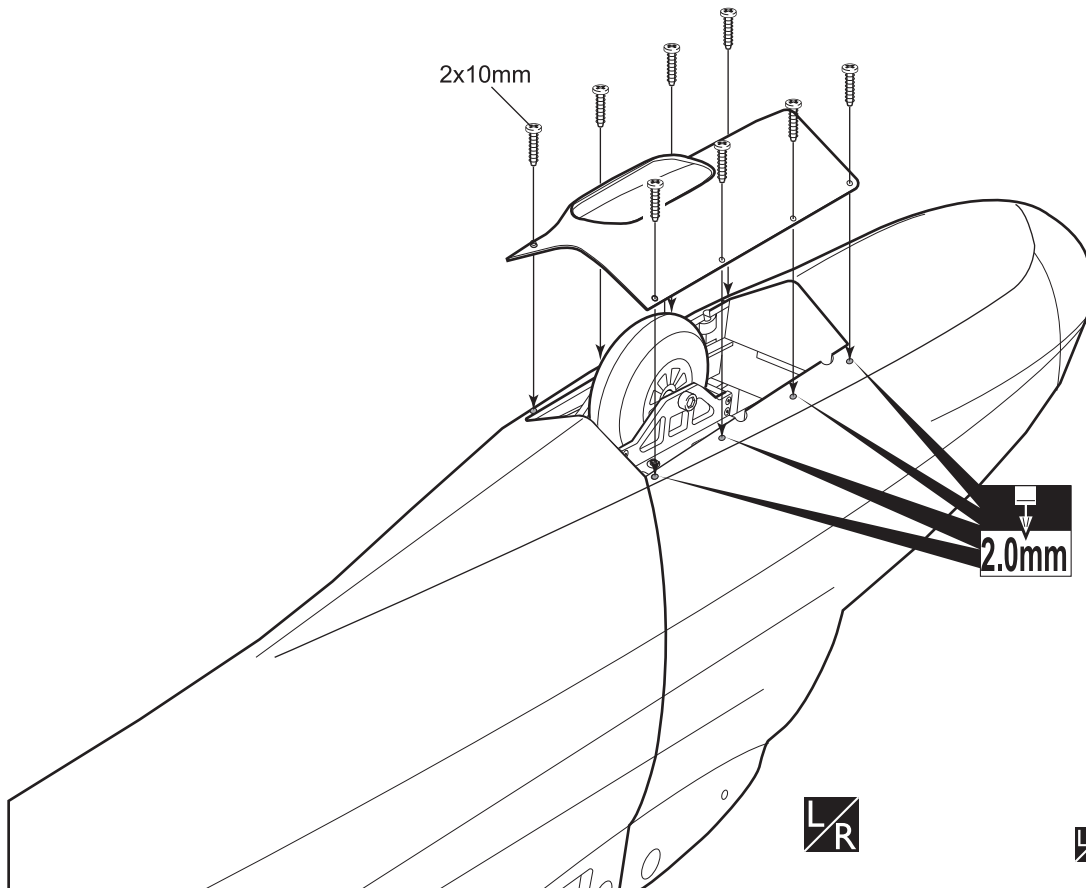
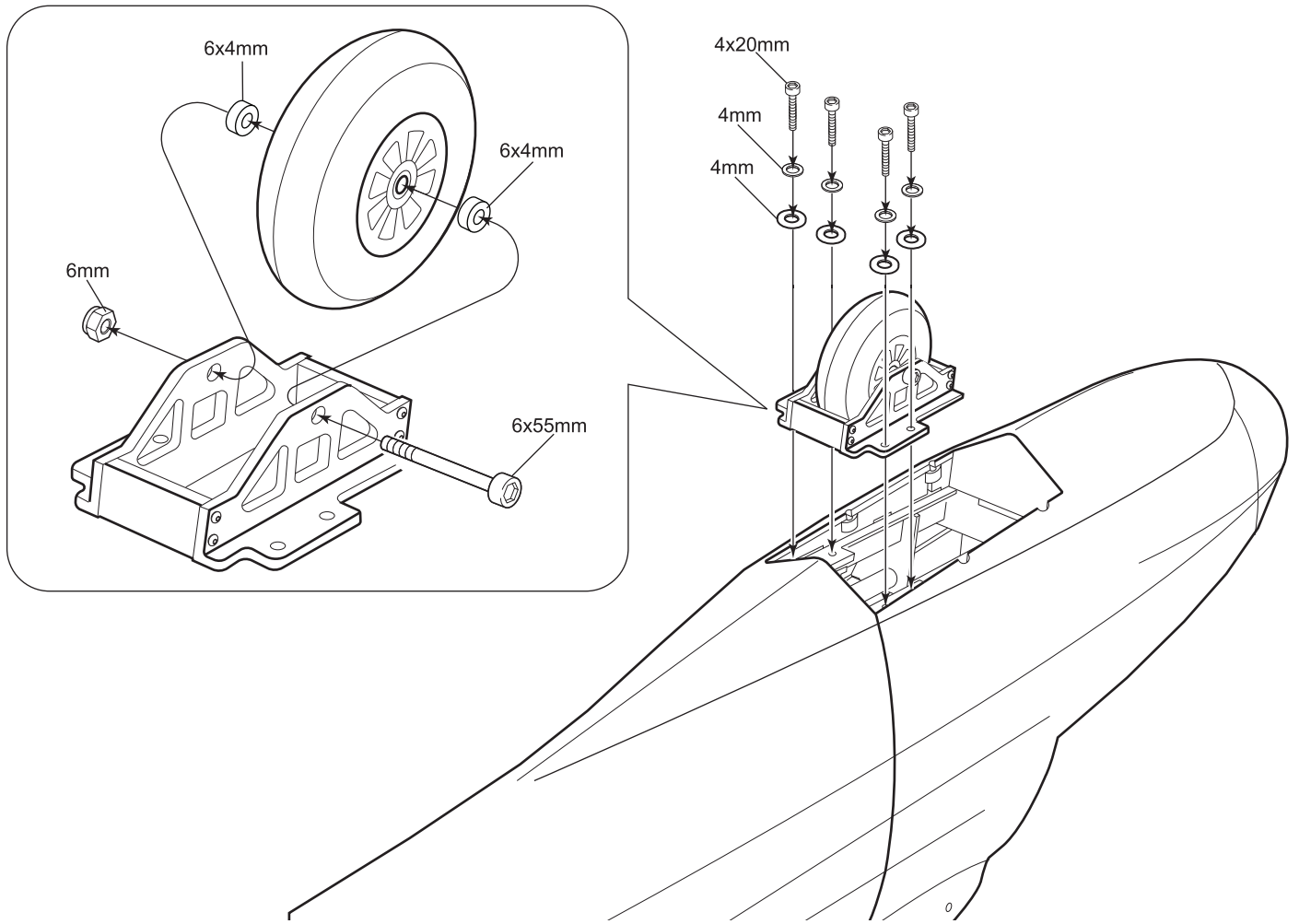
***Option 1: INSTALLING THE FIX LANDING GEAR (INCLUDED WITH THE KIT).***


- 6 x 55 mm Cap Screw ..... 1
- 6mm Nylon Nut ..... 1
- 4x6 mm Washer ..... 2
- 4 x 20mm Cap Screw ..... 4
- 4mm Washer ..... 4
- 4mm Spring Washer ..... 4
- 2 x 10mm TP Screw ..... 8




 Cut off shaded portion

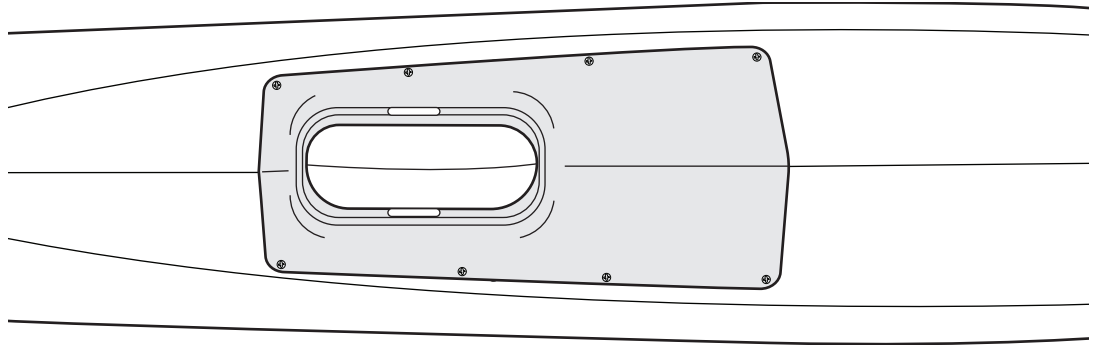




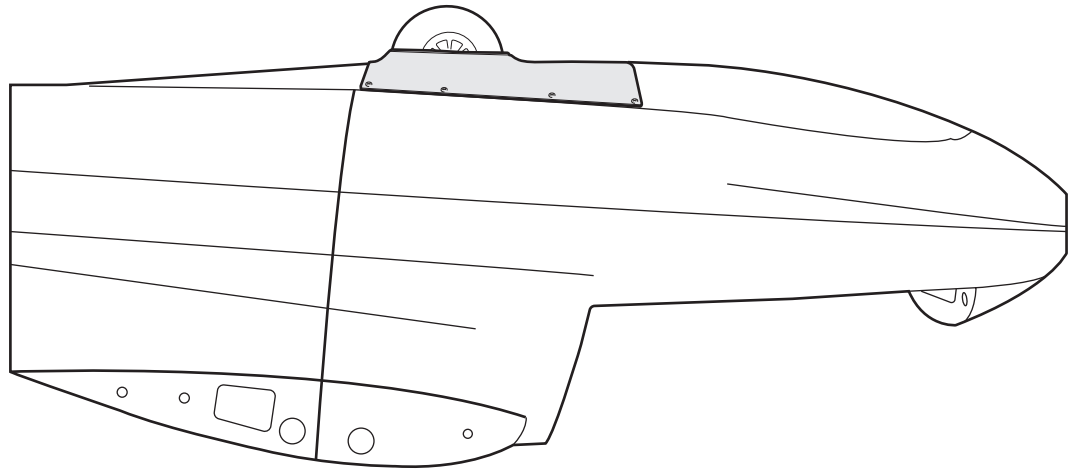
 Assemble left and right sides the same way

 Drill holes with the specified diameter.

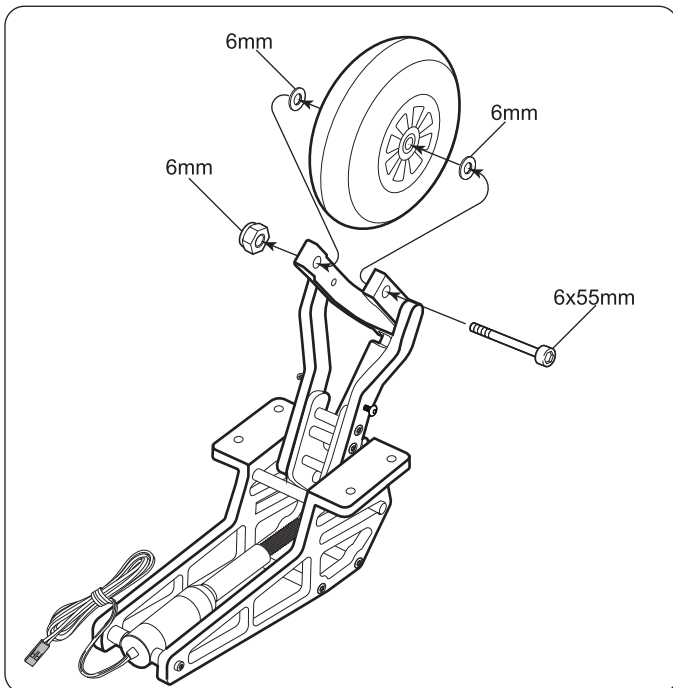
< Bottom view >



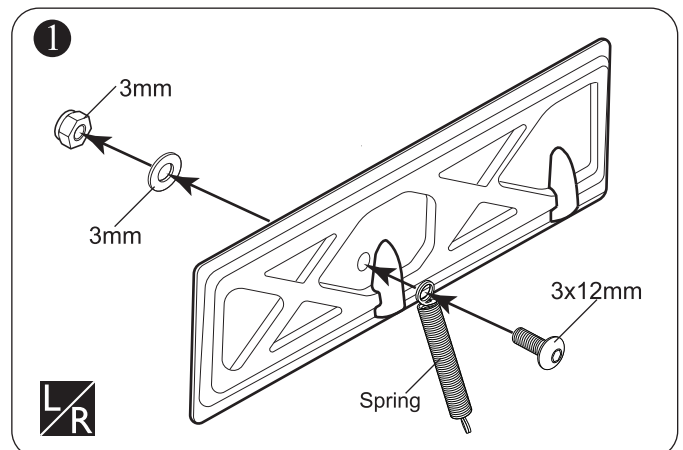
< Left view >




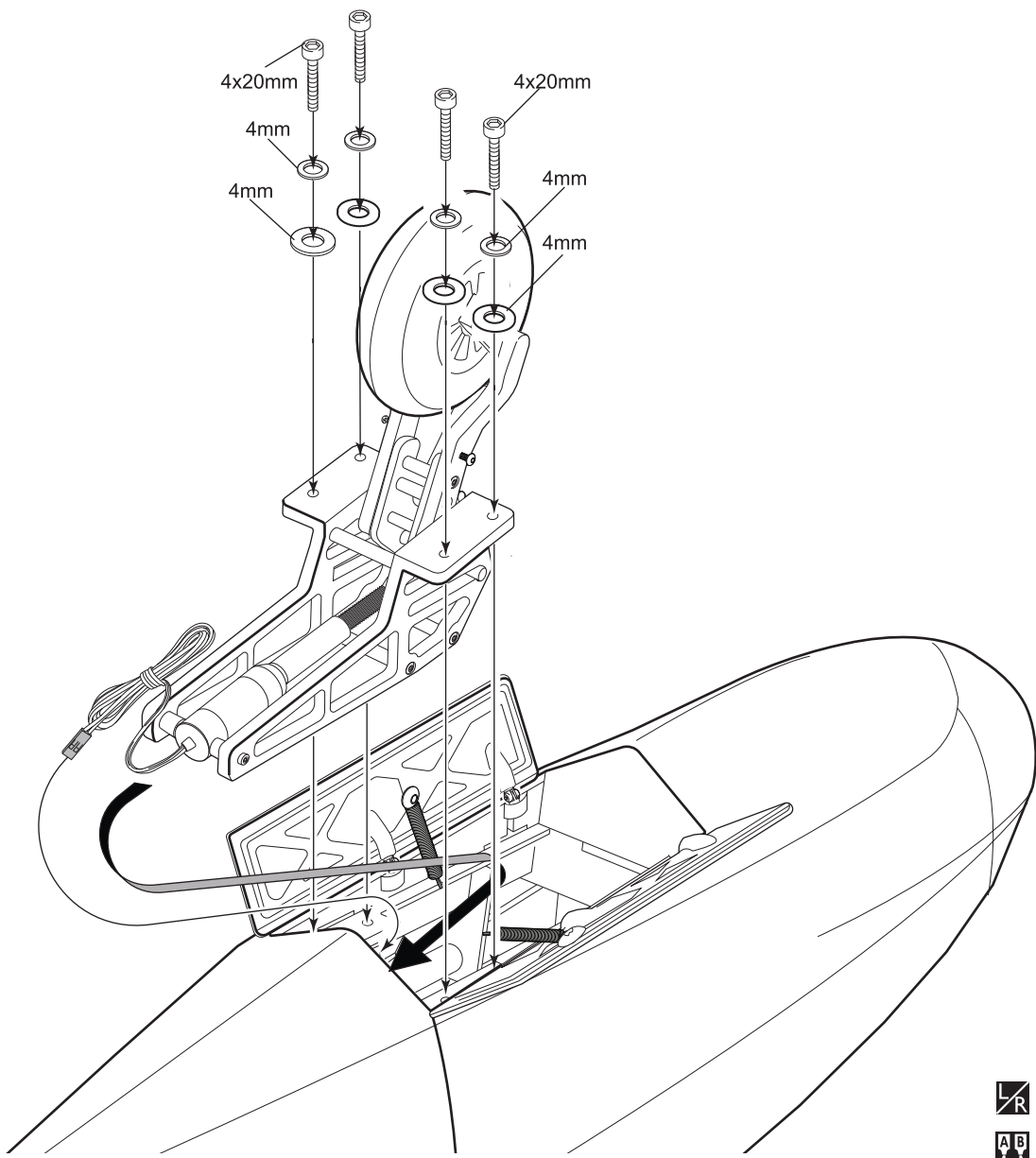
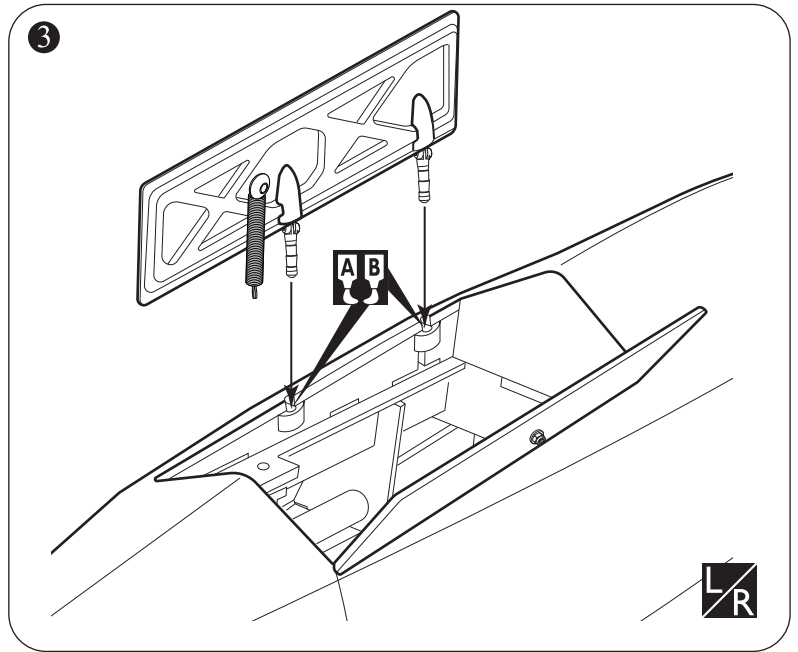
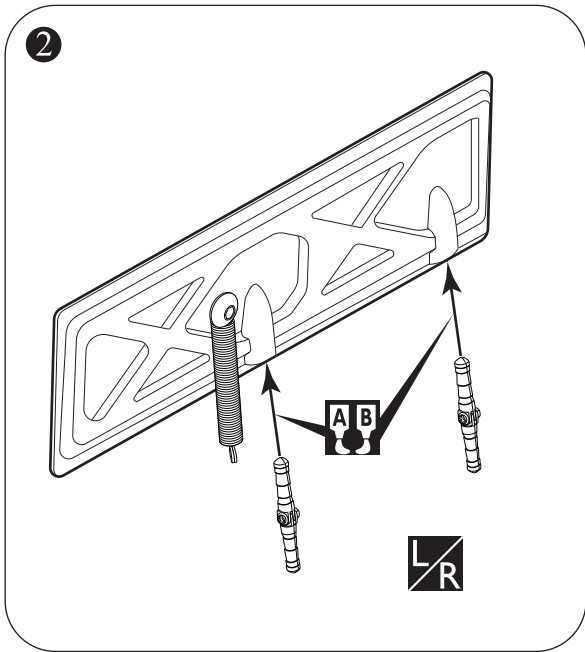
**Option 2: INSTALLING THE ELECTRIC RETRACT GEAR (NOT INCLUDED WITH THE KIT).**





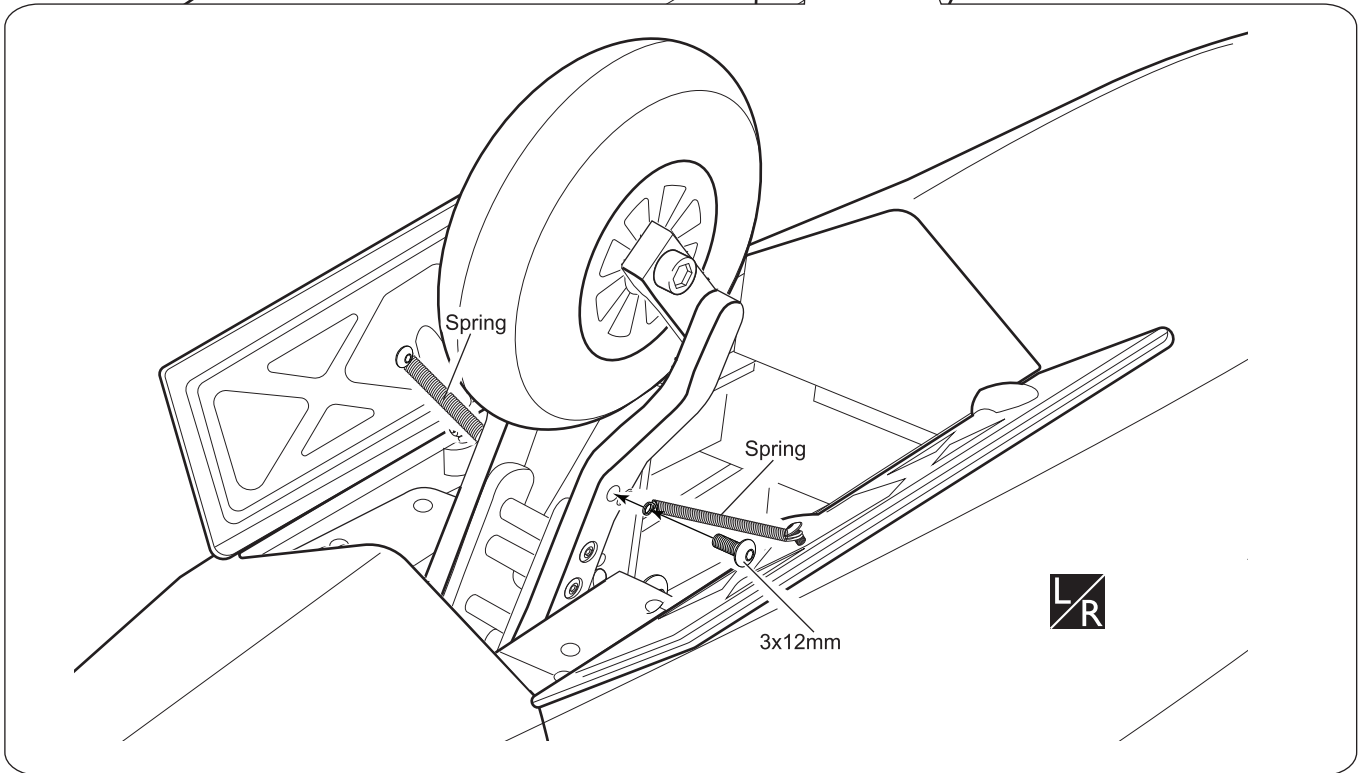
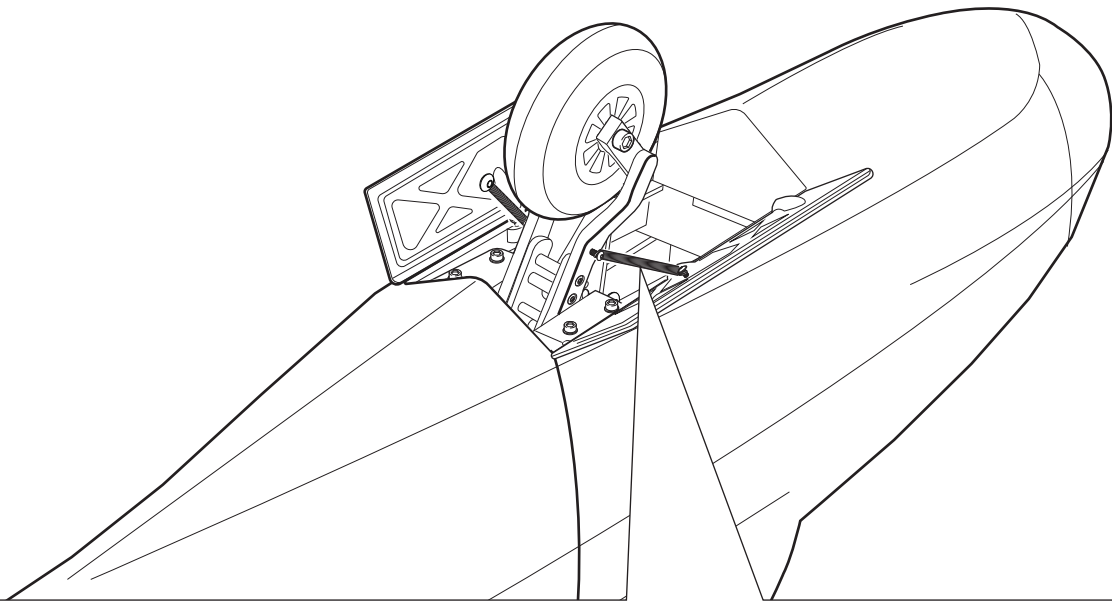
3mm Nylon Nut	2
3mm Washer	2
Spring	2
3 x 12 mm Button Screw	2



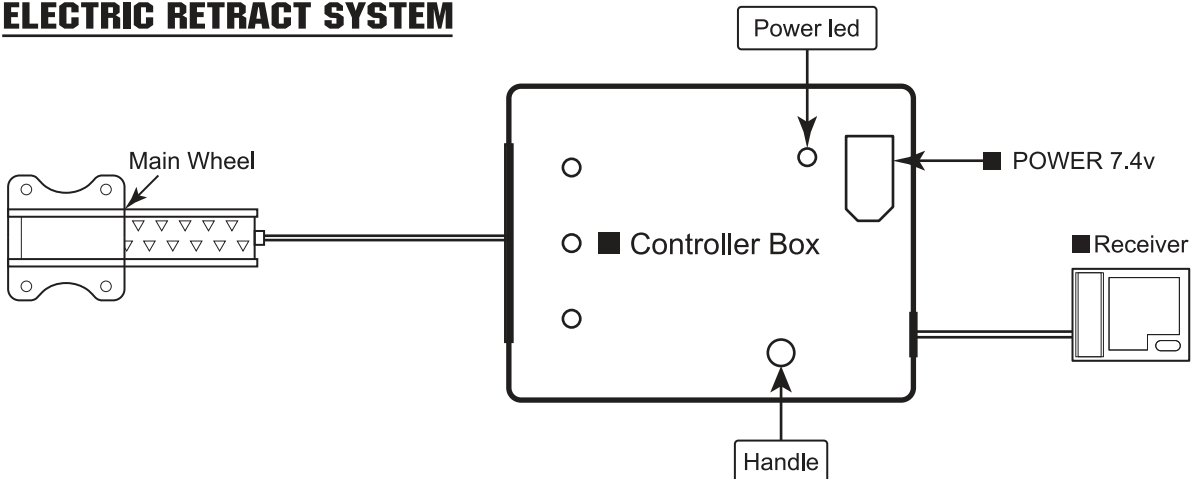
 Assemble left and right sides the same way



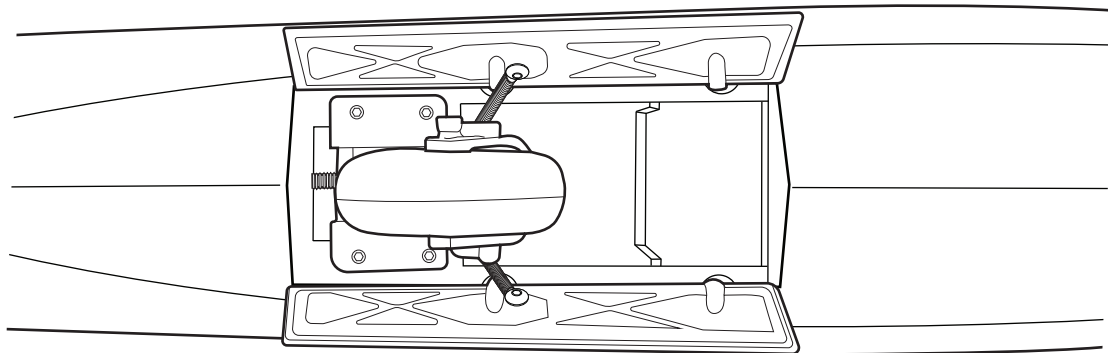
-  Assemble left and right sides the same way
-  Apply epoxy glue



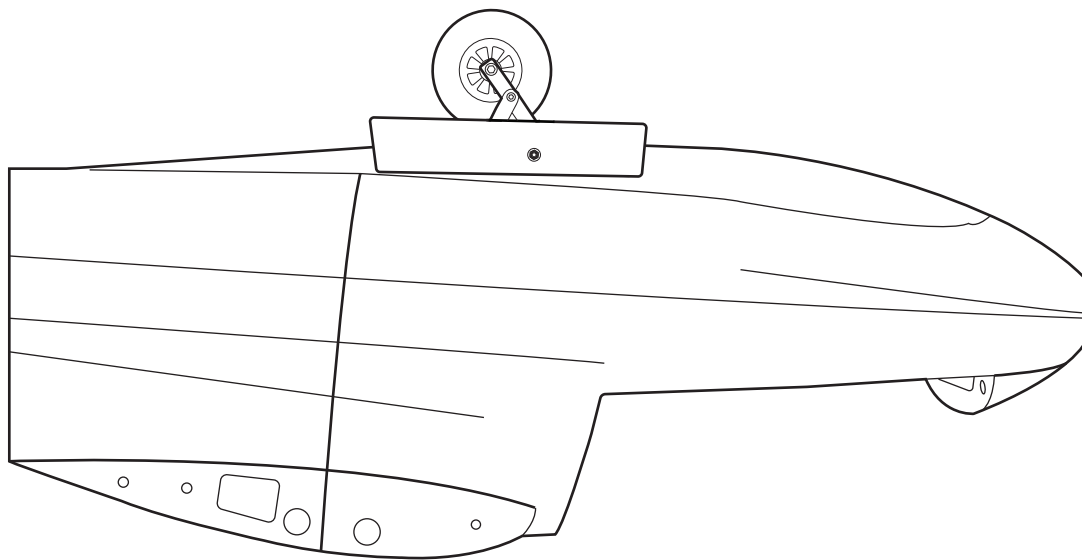
**ELECTRIC RETRACT SYSTEM**



< Bottom view >



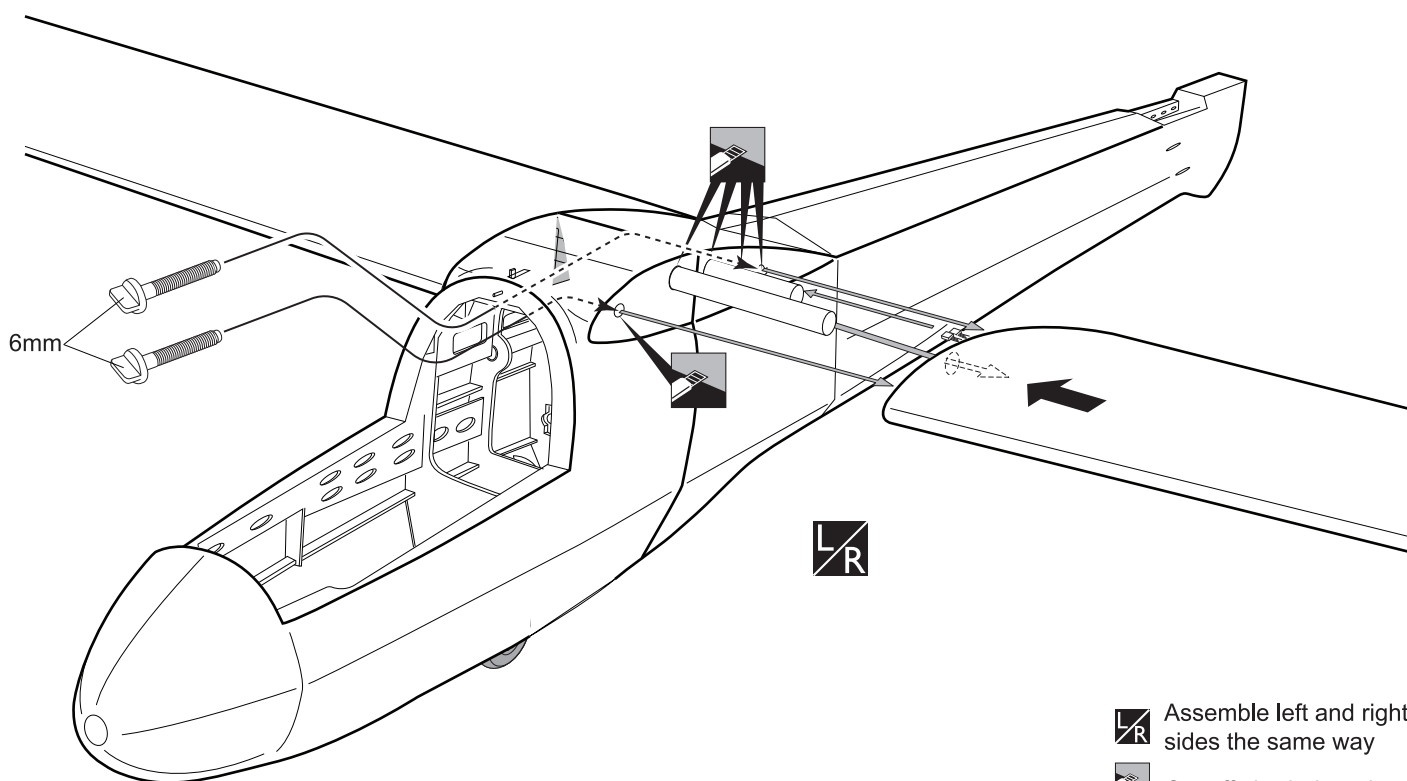
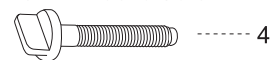
< Left view >




**SECURE THE WING TO THE FUSELAGE**

Attach the wings to the fuselage and secure the wing panels.

6mm Plastic Screw



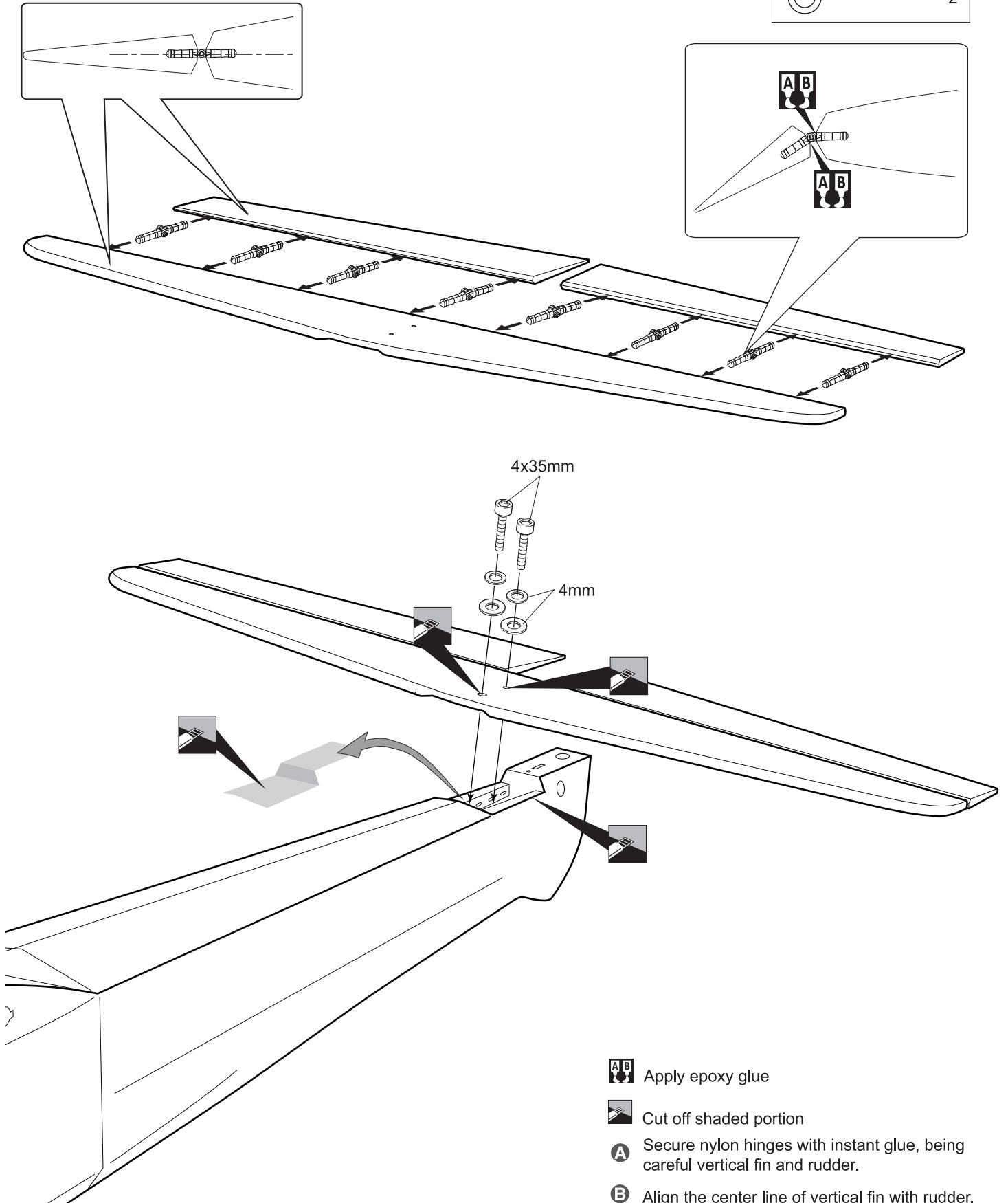
 Assemble left and right sides the same way

 Cut off shaded portion

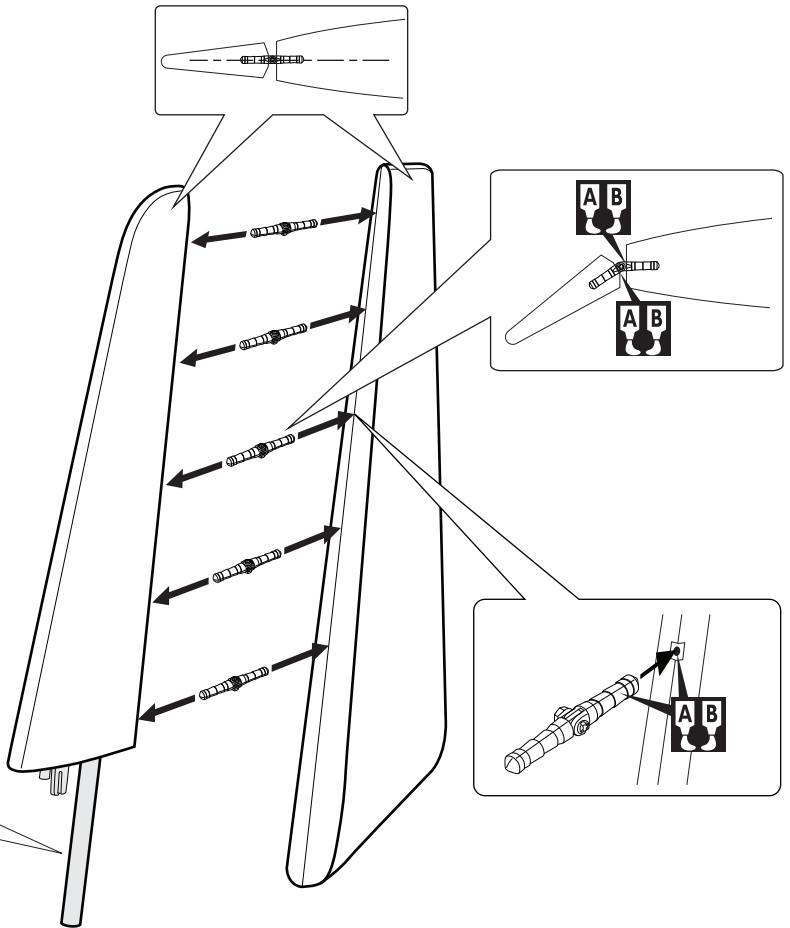
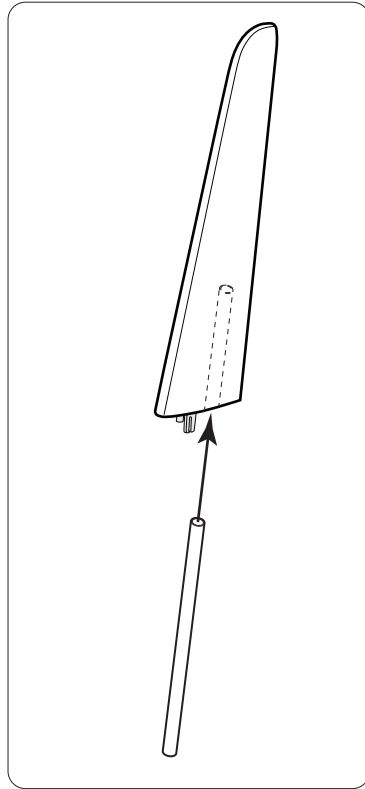



**HORIZONTAL STABILIZER INSTALLATION**

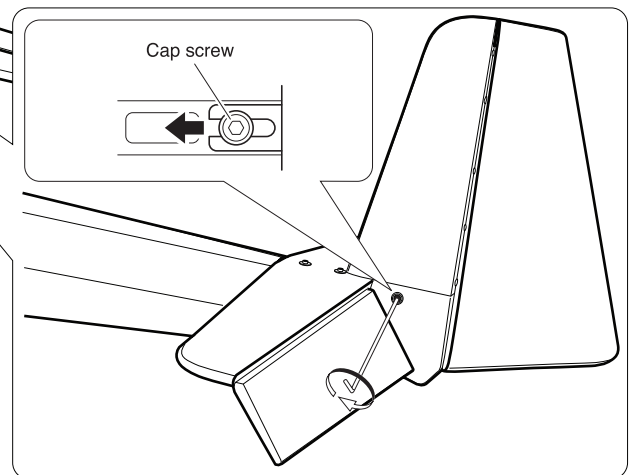
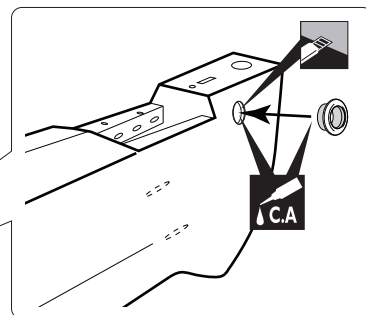
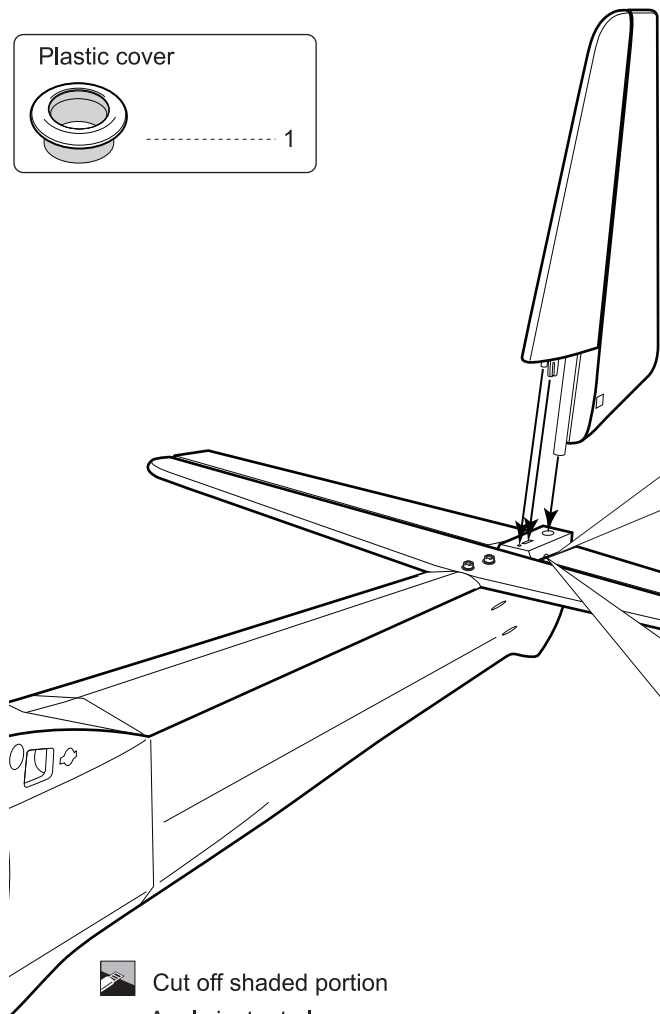
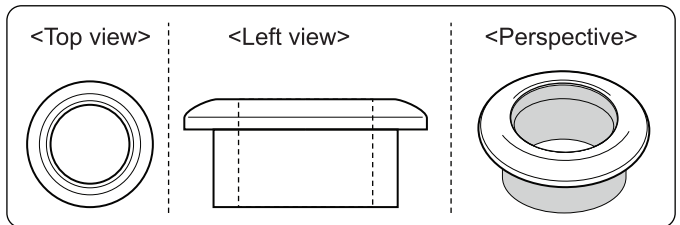
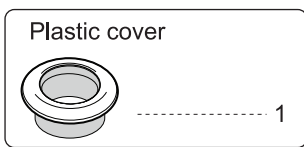
- 4 x 35mm Cap Screw ..... 2
- 4mm Washer ..... 2
- 4mm Spring Washer ..... 2





**INSTALLING THE VERTICAL STABILIZER**

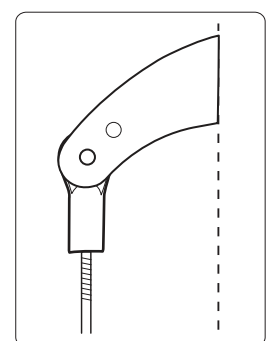
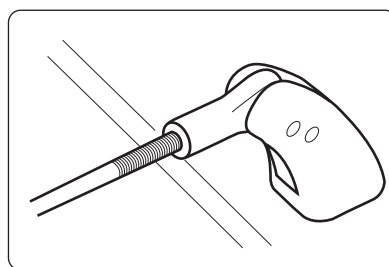
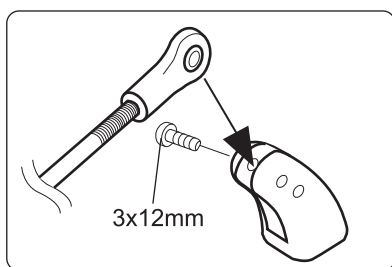
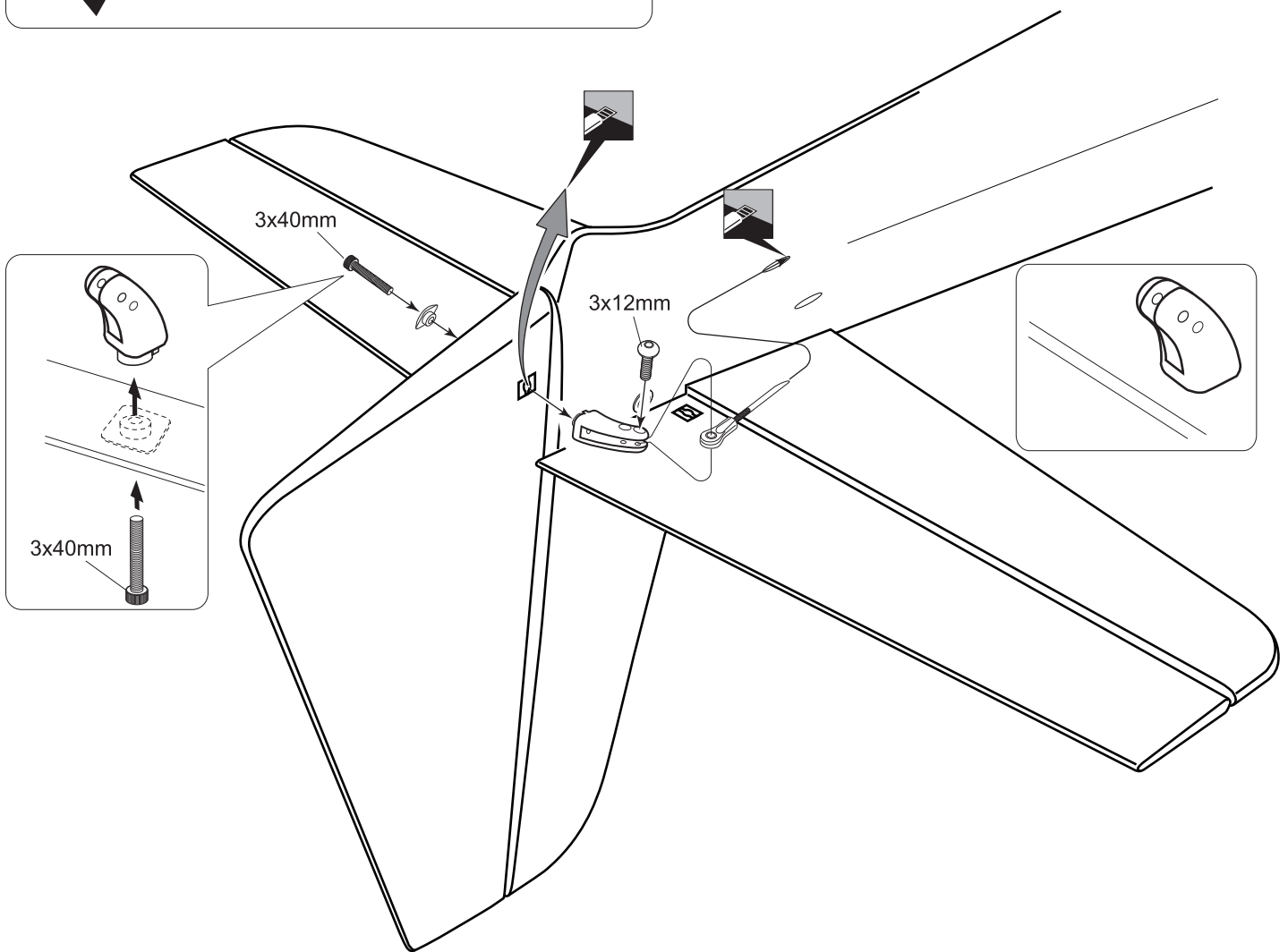
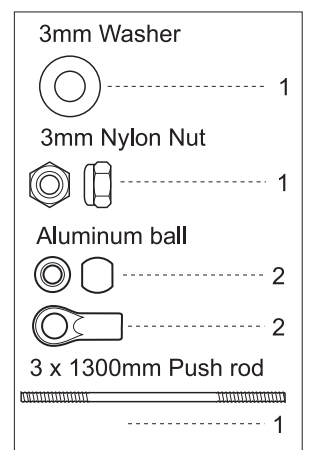
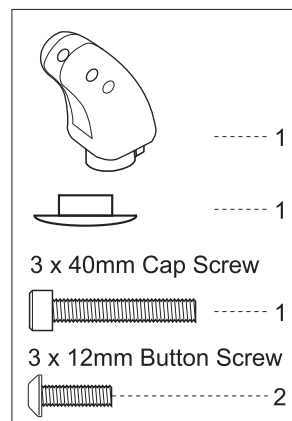
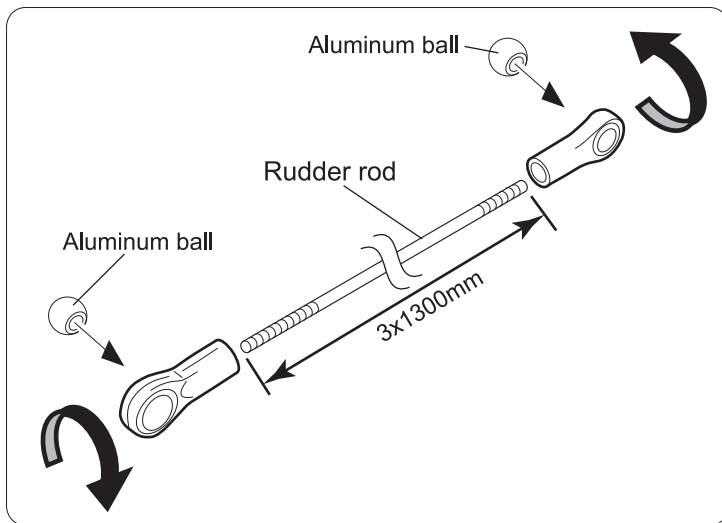



 Apply epoxy glue



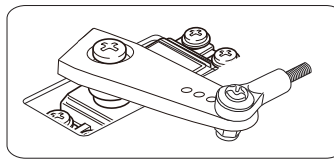
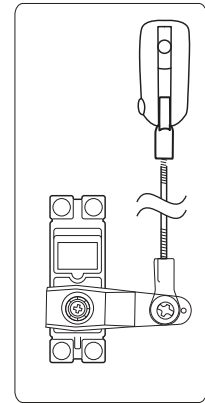
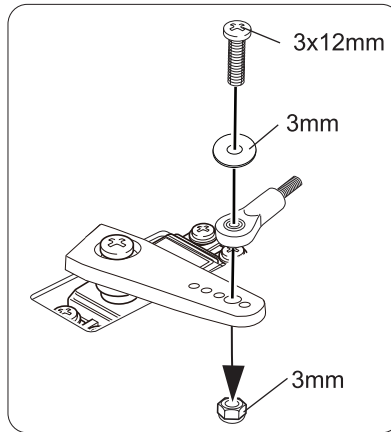
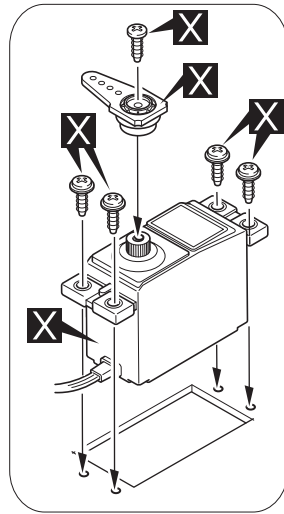
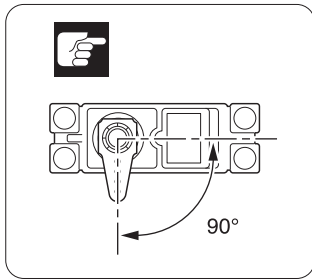
-  Cut off shaded portion
-  Apply instant glue (CA glue, super glue).

**INSTALLING THE RUDDER PUSHROD**



 Cut off shaded portion

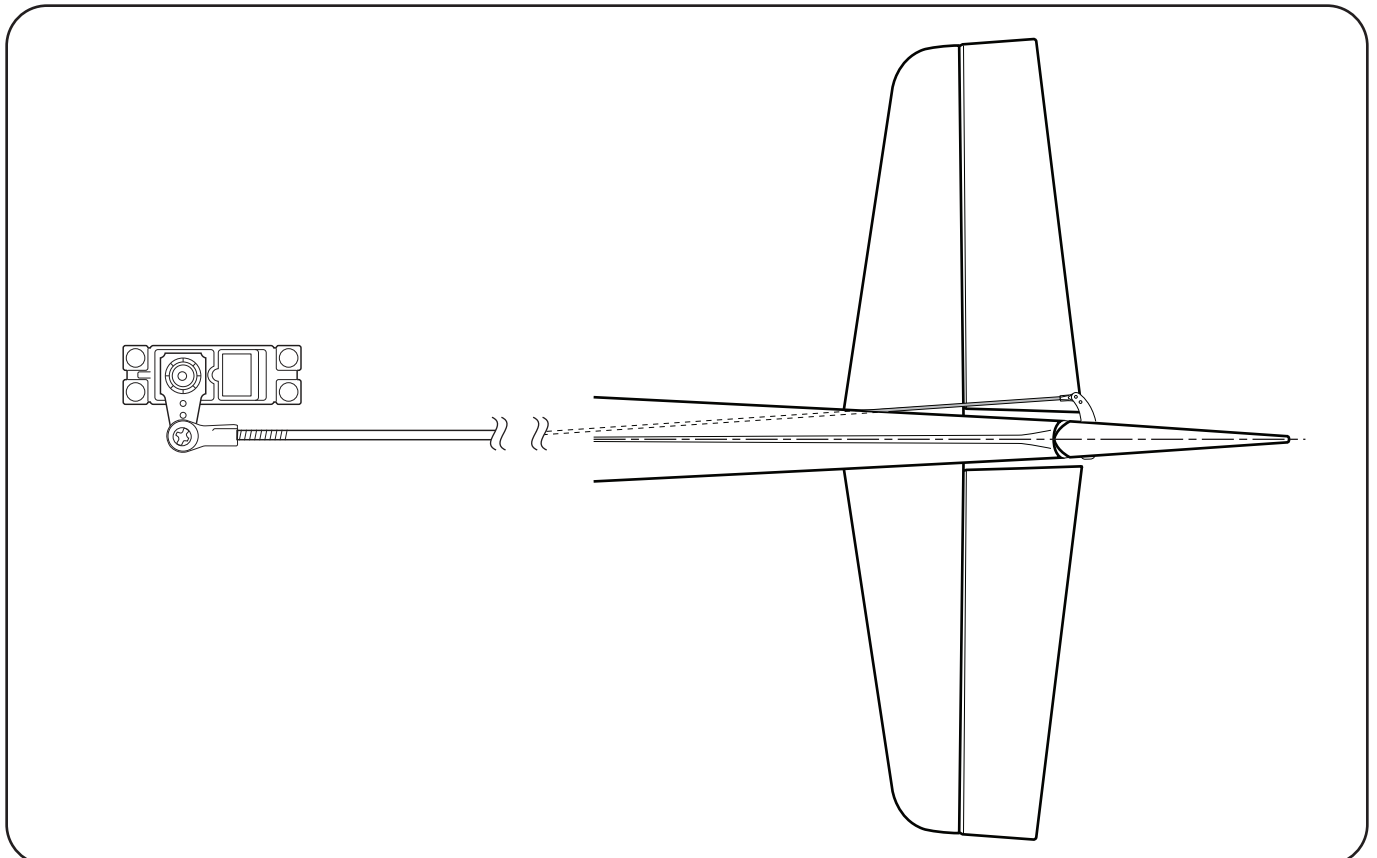
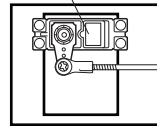
**INSTALLING THE RUDDER SERVO**



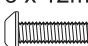





< Front >


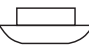

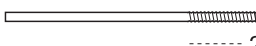
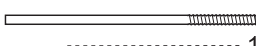
Rudder Servo

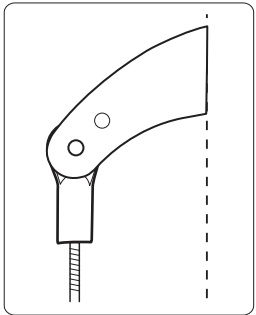
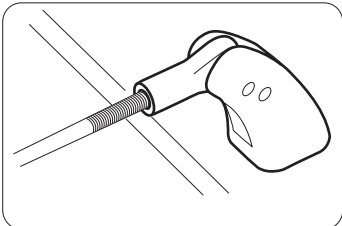
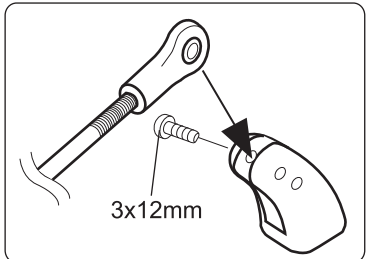
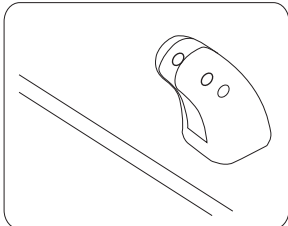
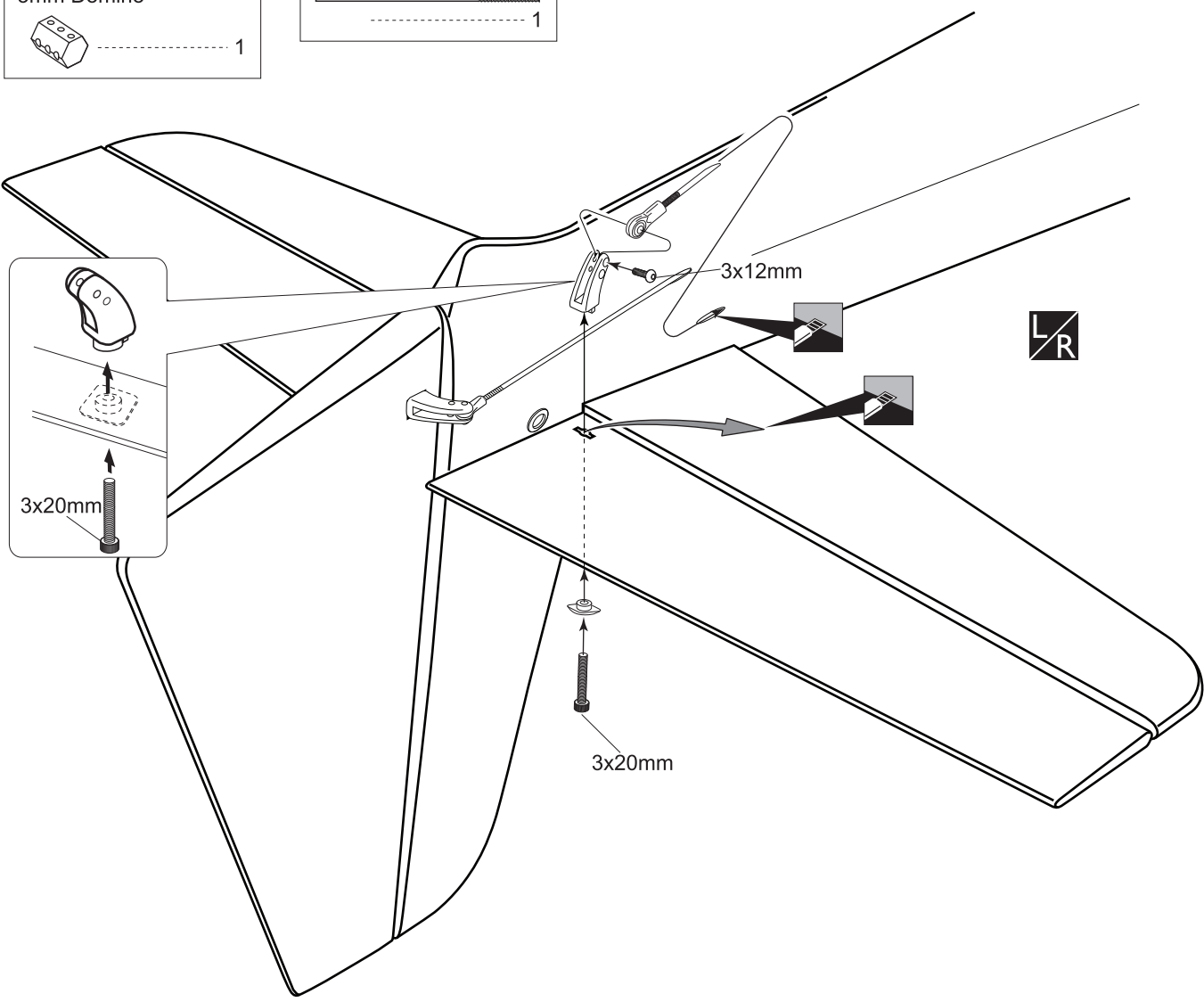
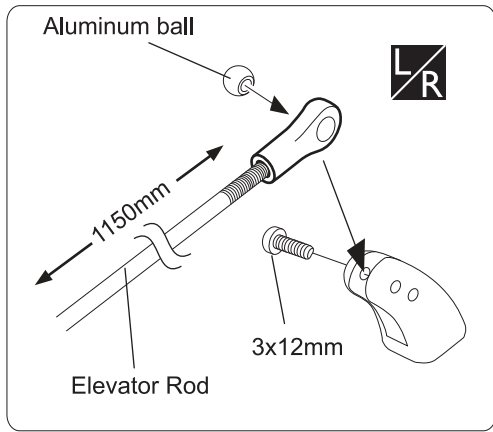
< Bottom view >





**INSTALLING THE ELEVATOR PUSHROD**

- 3 x 12mm Button Screw  ..... 3
- 3mm Nylon Nut  ..... 1
- 3mm Washer  ..... 1
- Aluminum ball  ..... 3
- 3mm Domino  ..... 3
-  ..... 1

-  ..... 2
-  ..... 2
- 3 x 20mm Cap Screw  ..... 2
- 3 x 1150mm Push rod  ..... 2
- 3 x 70mm Push rod  ..... 1

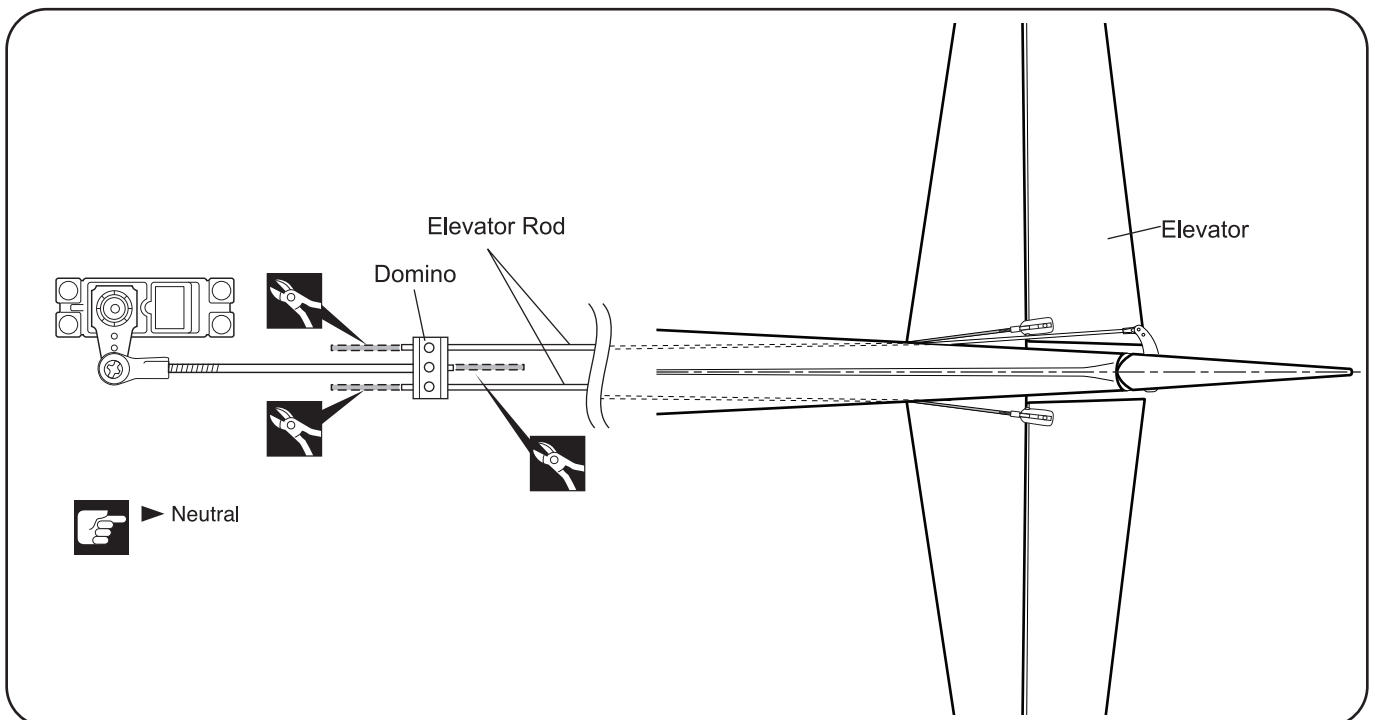
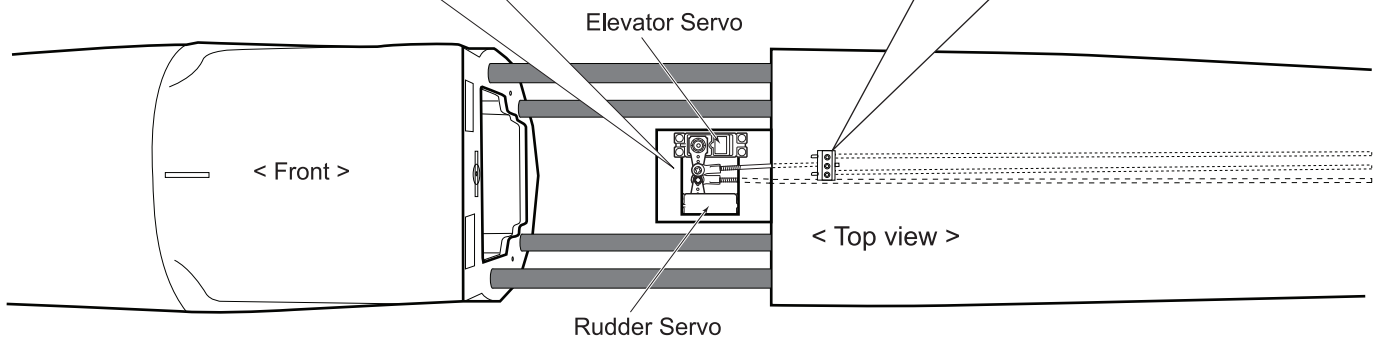
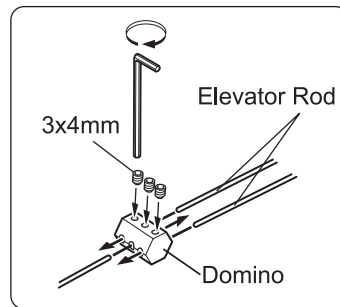
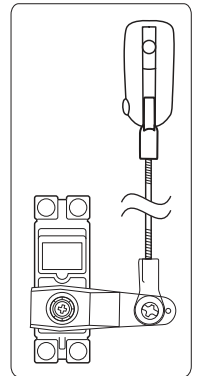
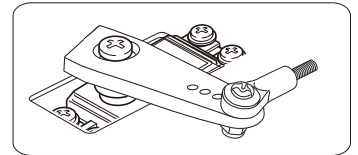
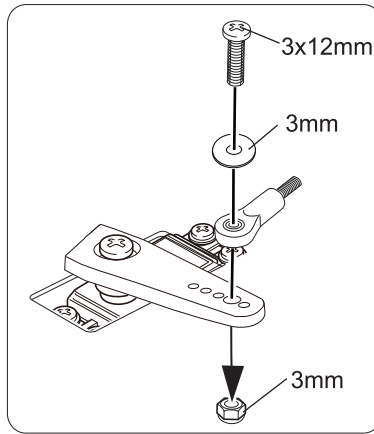
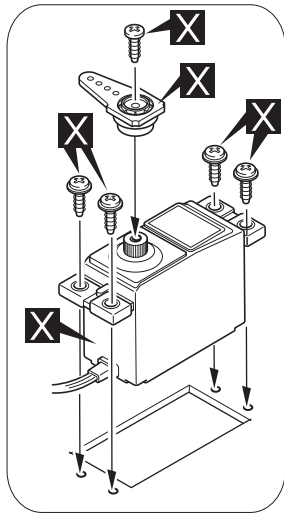
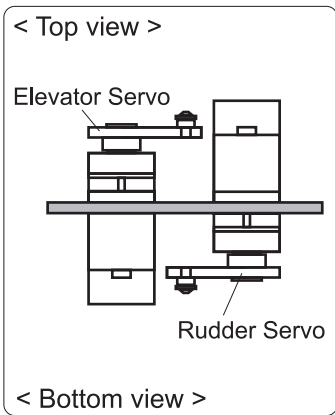
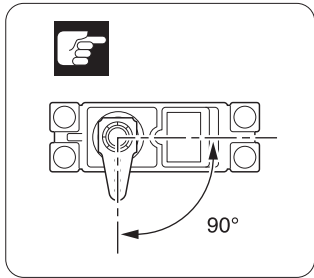


 Assemble left and right sides the same way

 Cut off shaded portion



**INSTALLING THE ELEVATOR SERVO**



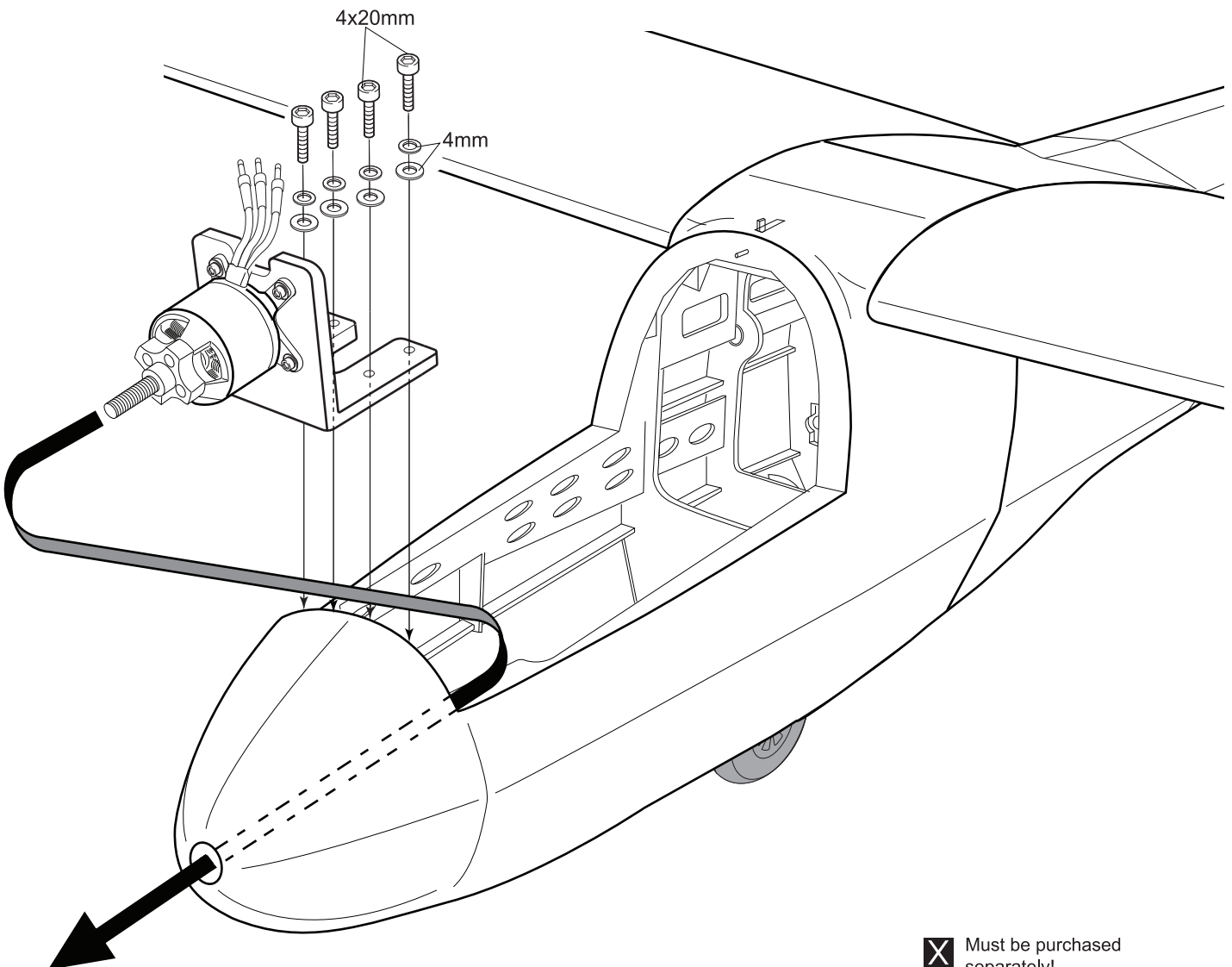
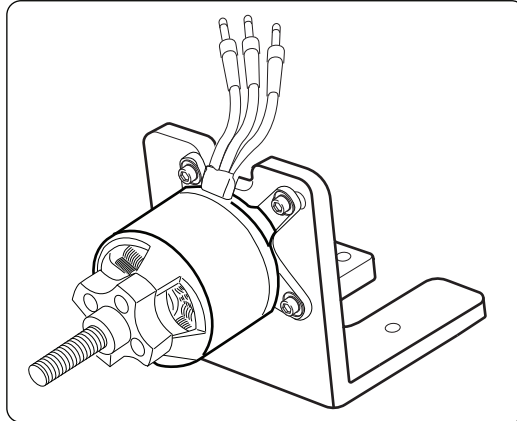
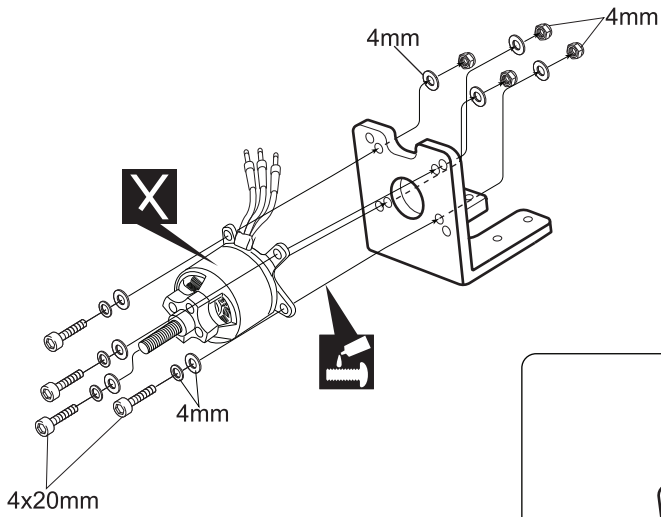
Cut off excess.



Must be purchased separately!

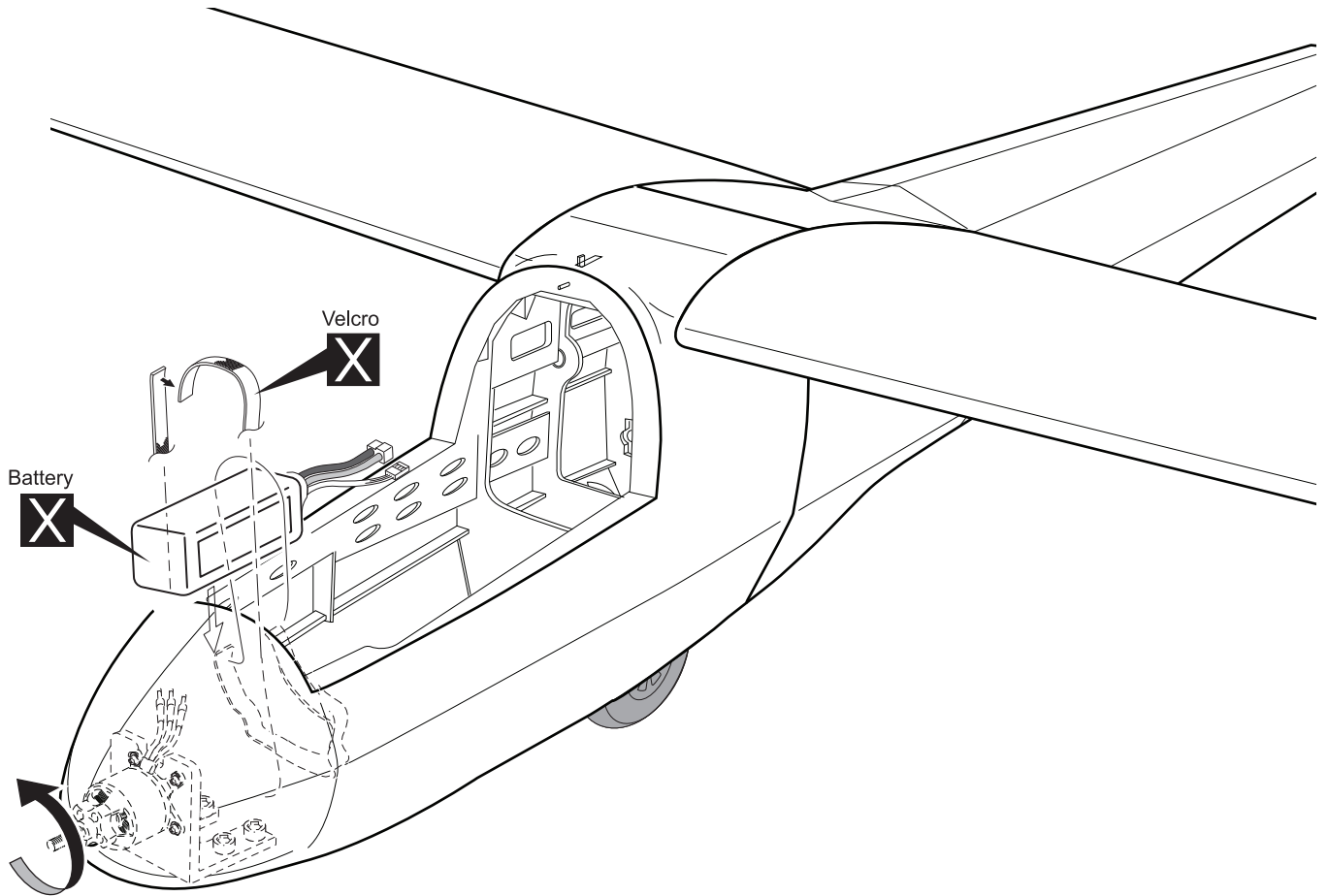
Pay close attention

**INSTALLING THE ELECTRIC MOTOR**

4 x 20mm Cap Screw	8
4mm Washer	12
4mm Spring Washer	8
4mm Nylon Nut	4

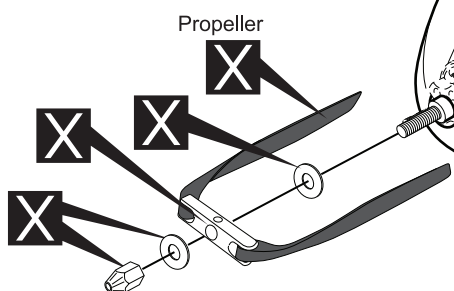
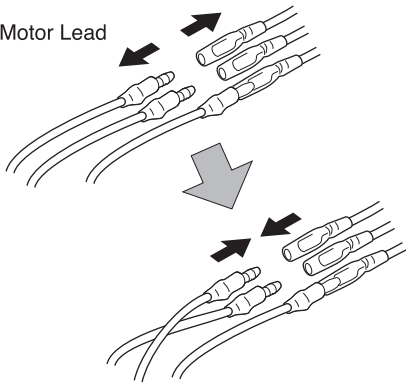


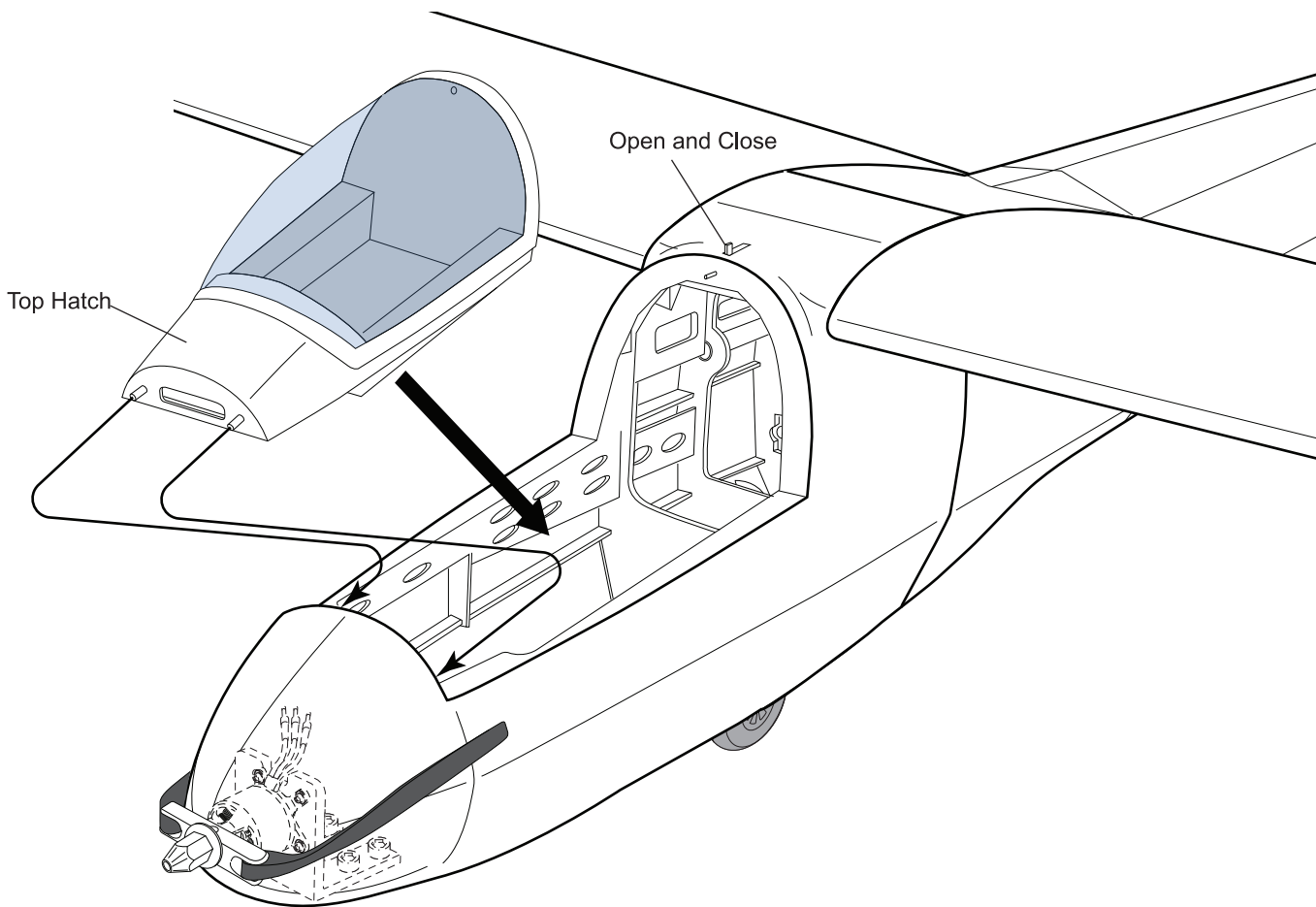
-  Must be purchased separately!
-  Apply threadlocker (screw cement).



When rotating clock wise, change the connection of 2 wires.

Motor Lead



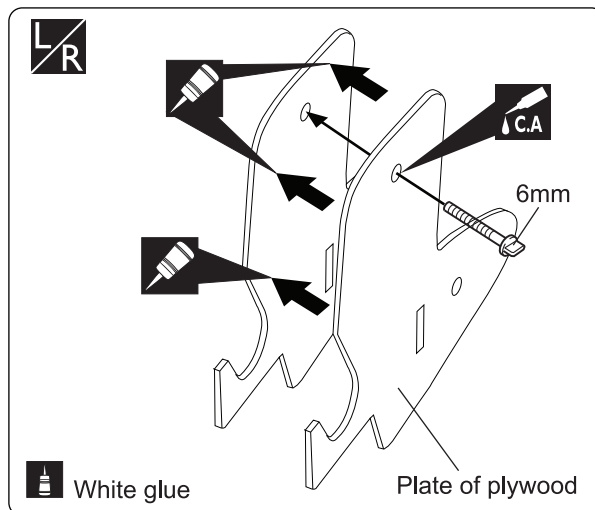
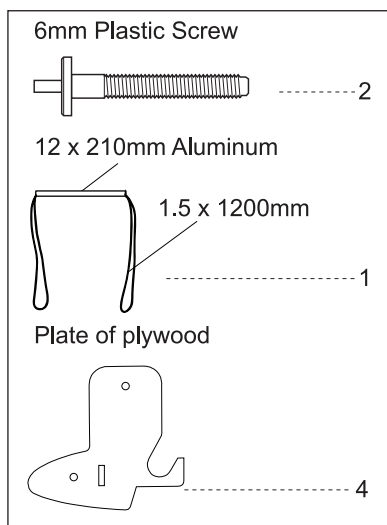


**BALANCING**

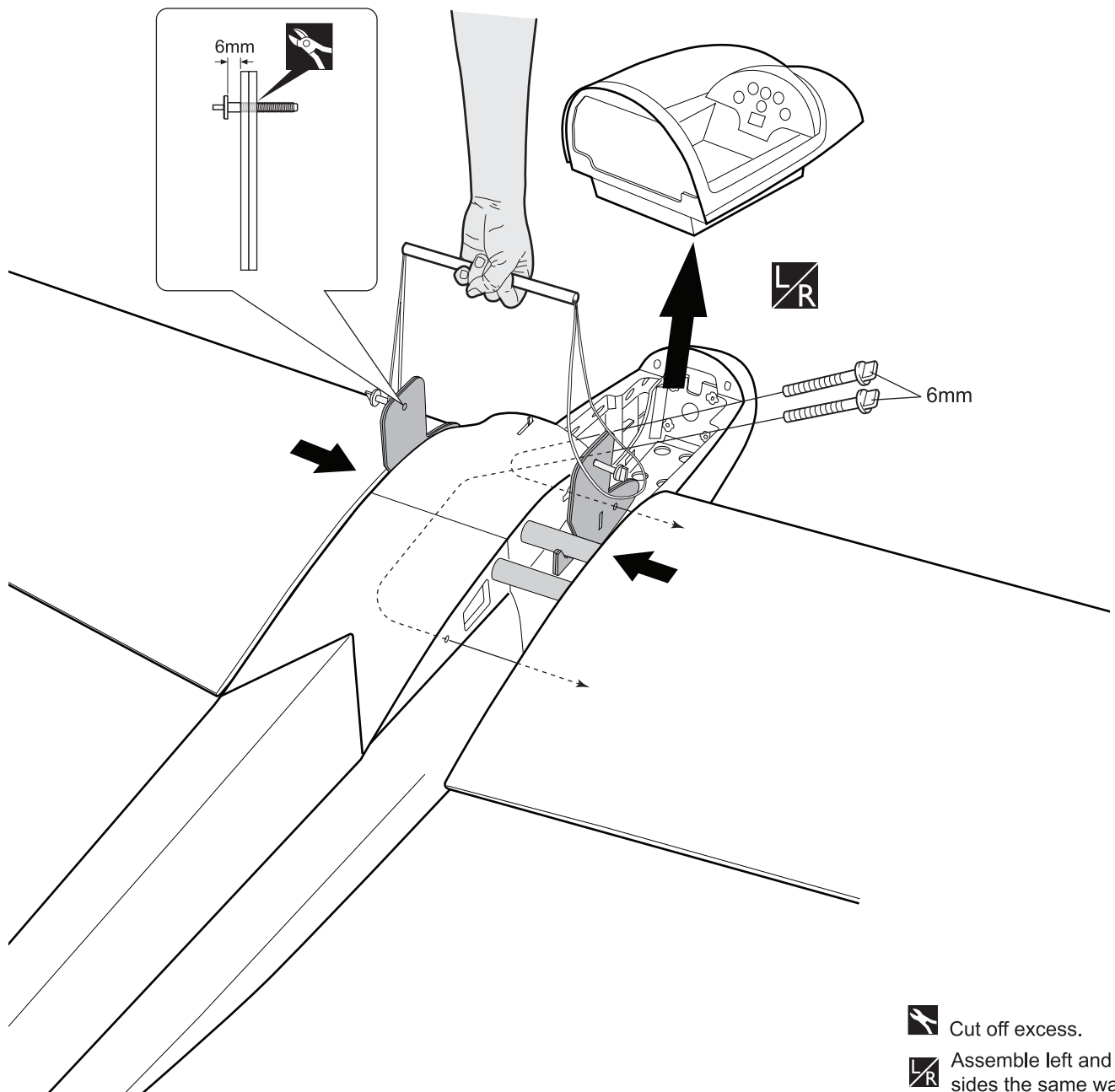
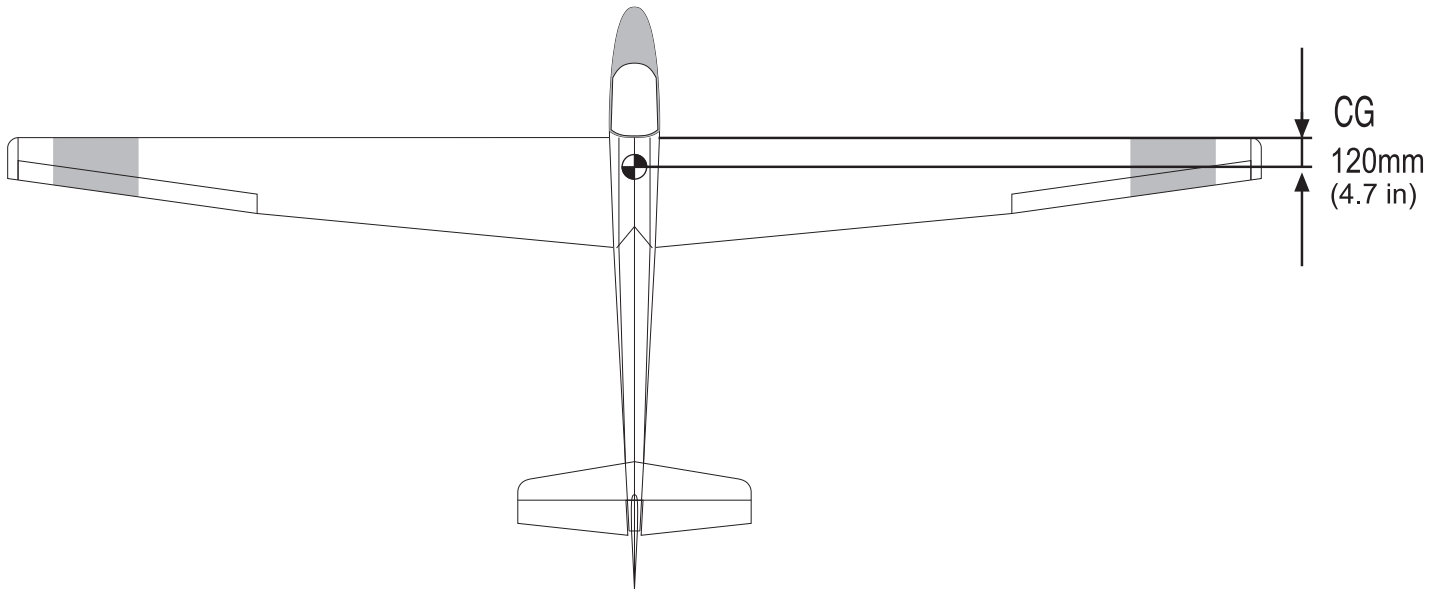
1. It is critical that your airplane be balanced correctly. Improper balance will cause your plane to lose control and crash.




THE CENTER OF GRAVITY IS LOCATED 120mm (4.7 in) BACK FROM THE LEADING EDGE OF THE UPPER WING.

2. If the nose of the plane falls, the plane is nose heavy. To correct this first move the battery pack further back in the fuselage. If this is not possible or does not correct it, stick small amounts of lead weight on the fuselage under the horizontal stabilizer. If the tail of the plane falls, the plane is tail heavy. To correct this, move the battery and receiver forward or if this is not possible, stick weight into the firewall. When balanced correctly, the airplane should sit level or slightly nose down when you lift it up with your fingers.

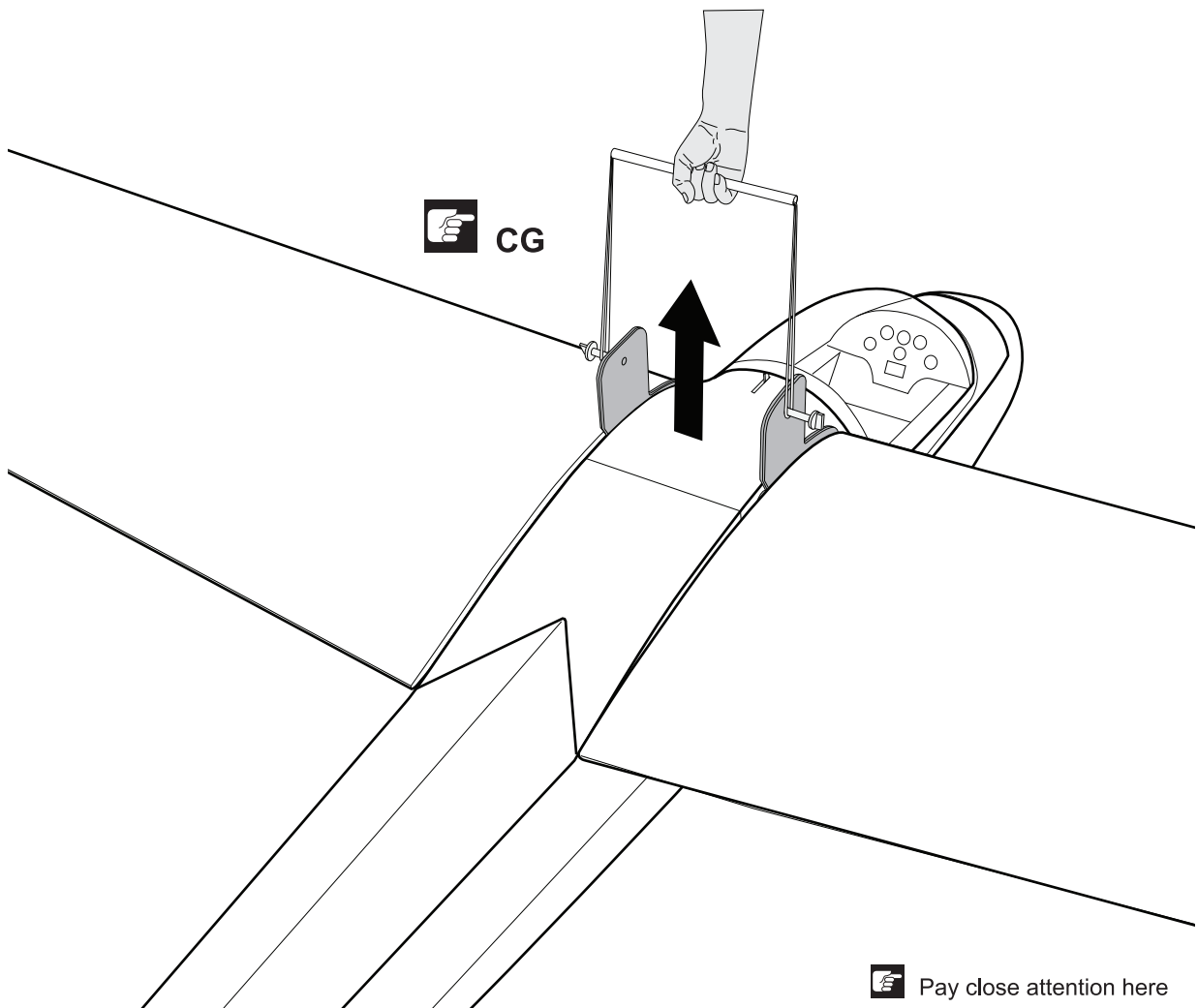
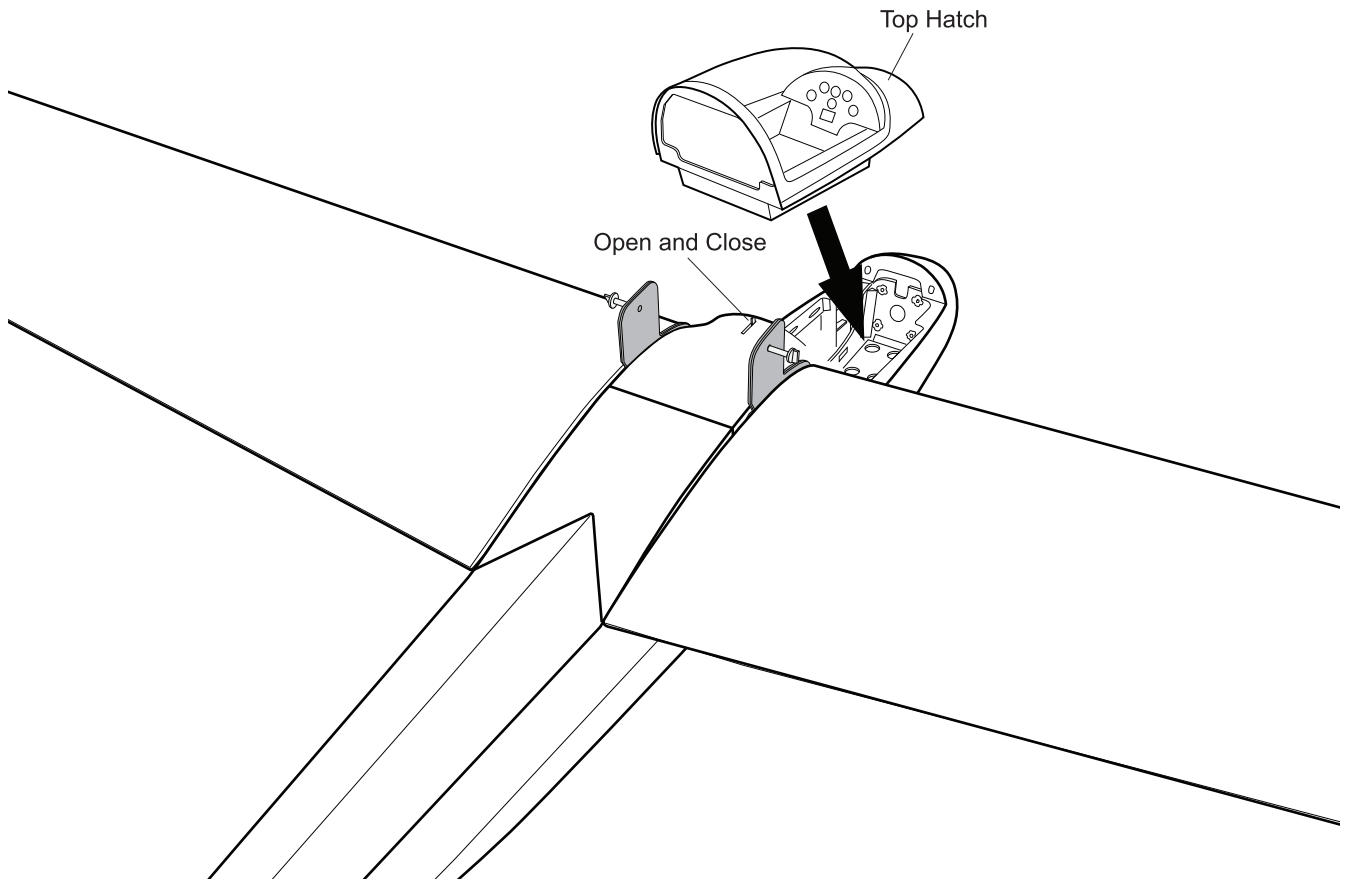


- Assemble left and right sides the same way
- Apply instant glue (CA glue, super glue).



-  Cut off excess.
-  Assemble left and right sides the same way
-  Apply instant glue (CA glue, super glue).





**LATERAL BALANCE**

**!** After you have balanced a plane on the C.G. You should laterally balance it. Doing this will help the airplane track straighter.

1. Turn the airplane upside down. Attach one loop of heavy string to the engine crankshaft and one to the tail wheel wire. With the wings level, carefully lift the airplane by the string. This may require two people to make it easier.
2. If one side of the wing fall, that side is heavier than the opposite. Add small amounts of lead weight to the bottom side of the lighter wing half's wing tip. Follow this procedure until the wing stays level when you lift the airplane.

**CONTROL THROWS**

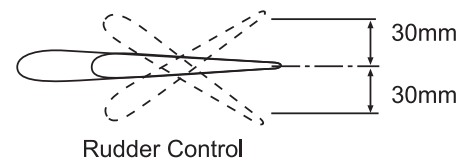
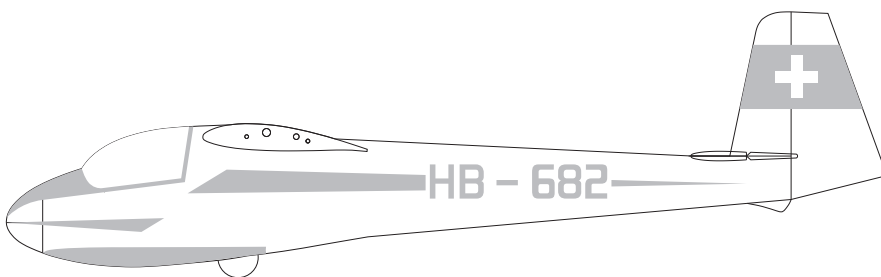
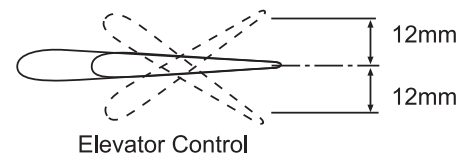
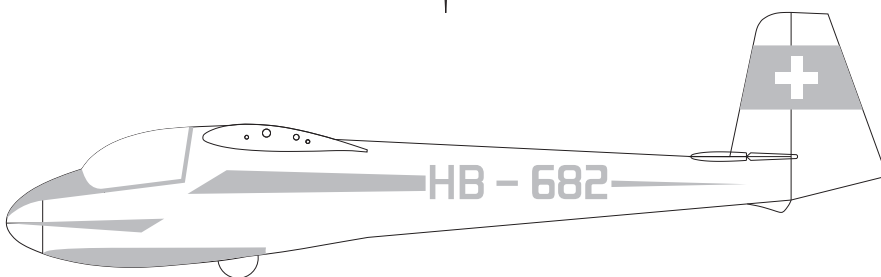
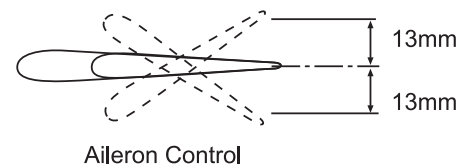
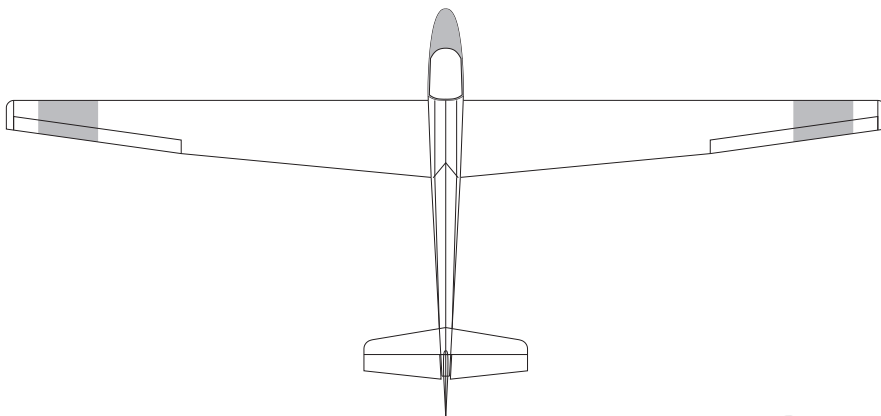
1. We highly recommend setting up a plane using the control throws listed.
2. The control throws should be measured at the widest point of each control surface.
3. Check to be sure the control surfaces move in the correct directions.

● **LOW RATE**

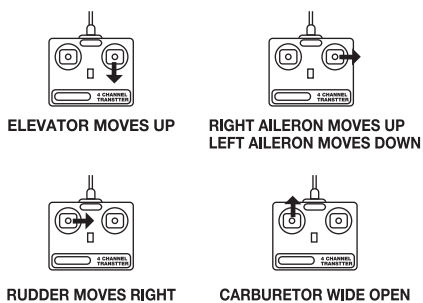
Aileron	13mm up	13mm down
Elevator	12mm up	12mm down
Rudder	30mm right	30mm left

● **HIGH RATE**

Aileron	15mm up	15mm down
Elevator	14mm up	14mm down
Rudder	45mm right	45mm left



**4 CHANNEL RADIO SETUP  
(STANDARD MODE 2)**



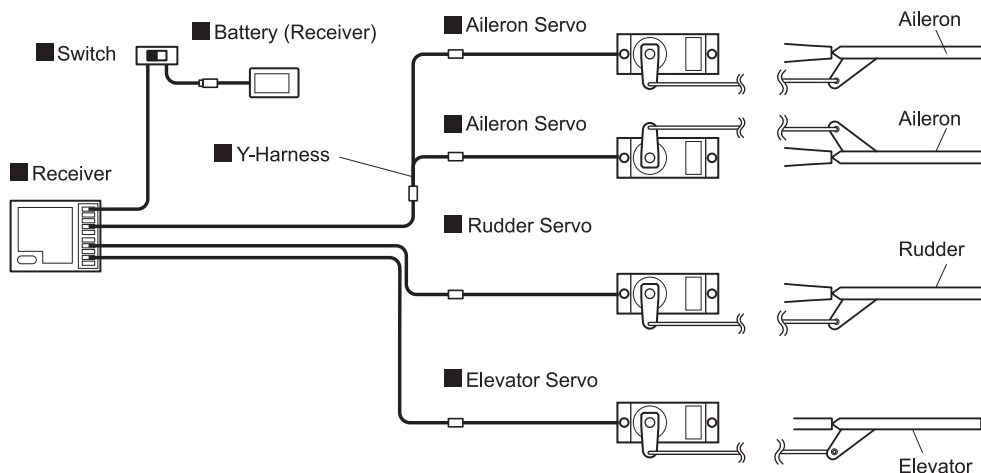
**FLIGHT PREPARATION PRE FLIGHT CHECK**

1. Completely charge your transmitter and receiver batteries before your first day of flying.
2. Check every bolt and every glue joint in your plane to ensure that everything is tight and well bonded.
3. Double check the balance of the airplane
4. Check the control surface
5. Check the receiver antenna . It should be fully extended and not coiled up inside the fuselage.
6. Properly balance the propeller.

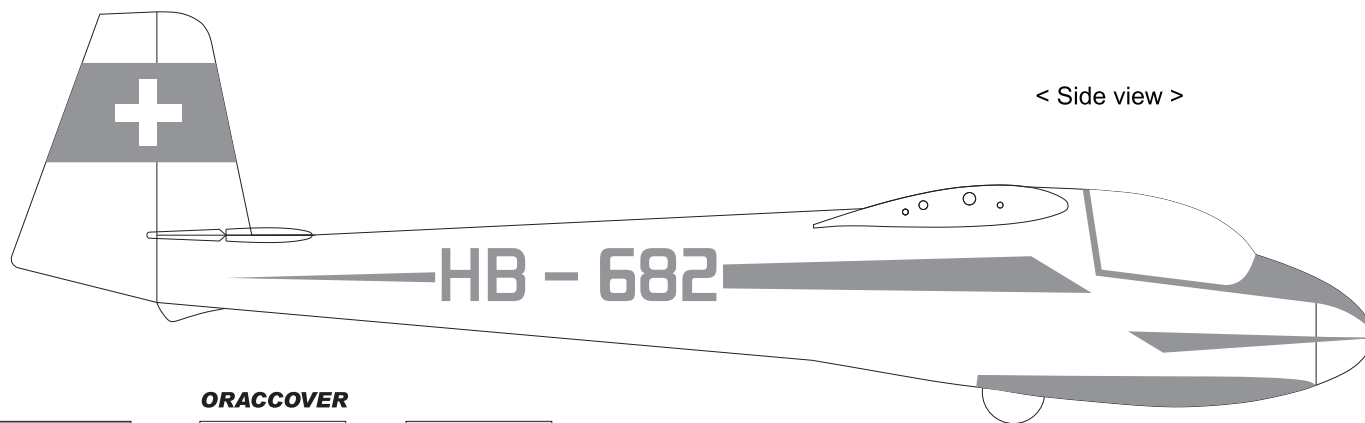
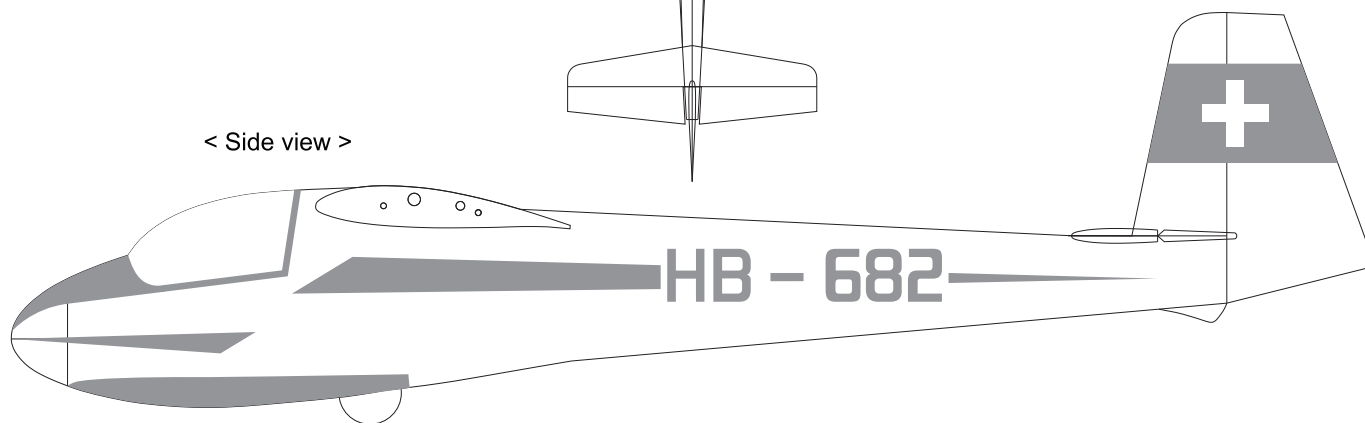
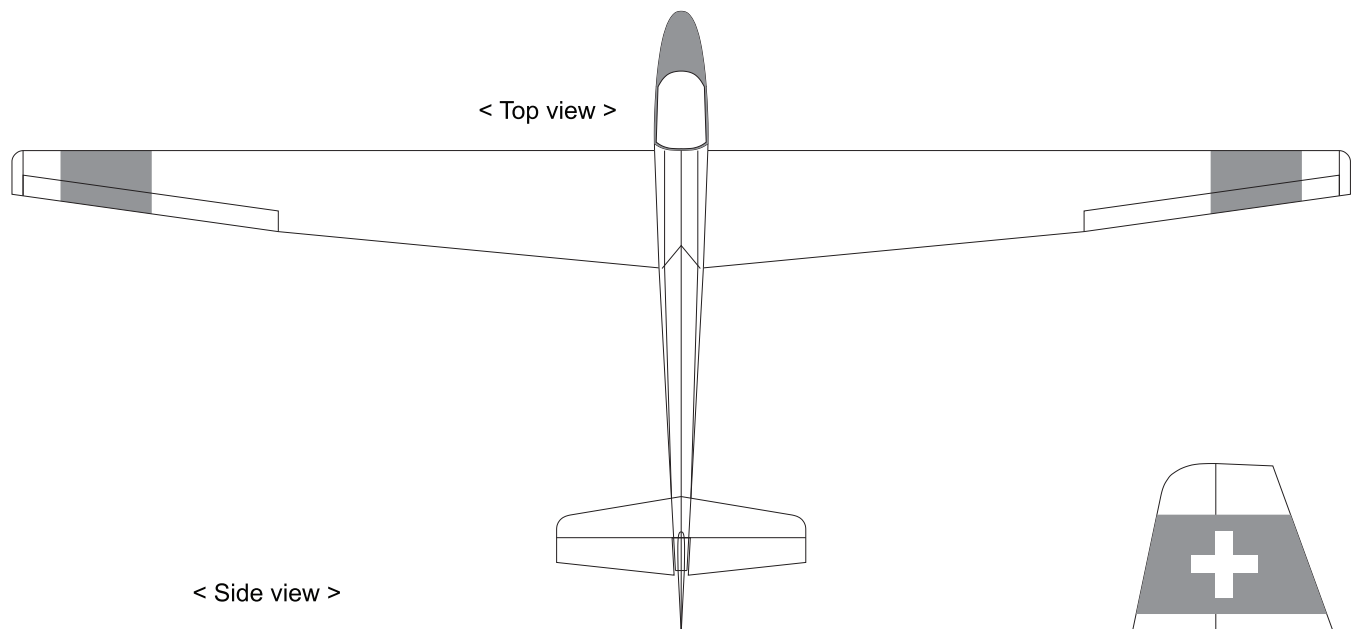
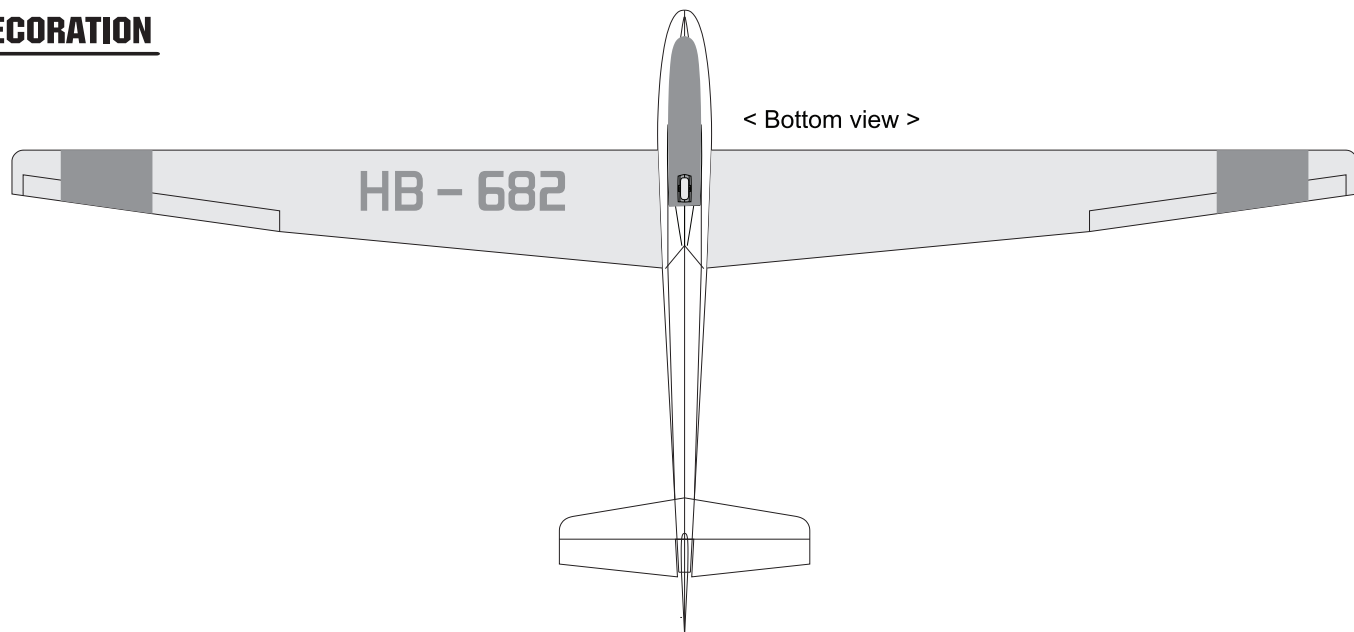
**FOR YOUR RADIO INSTALLATION  
BASIC CONNECTION FOR AIRPLANE AND ADJUSTMENT OF SERVOS**

**Example of connection**



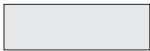
- For more information, refer to radio system instruction manual.
- Follow instruction manual of Engine and Battery.



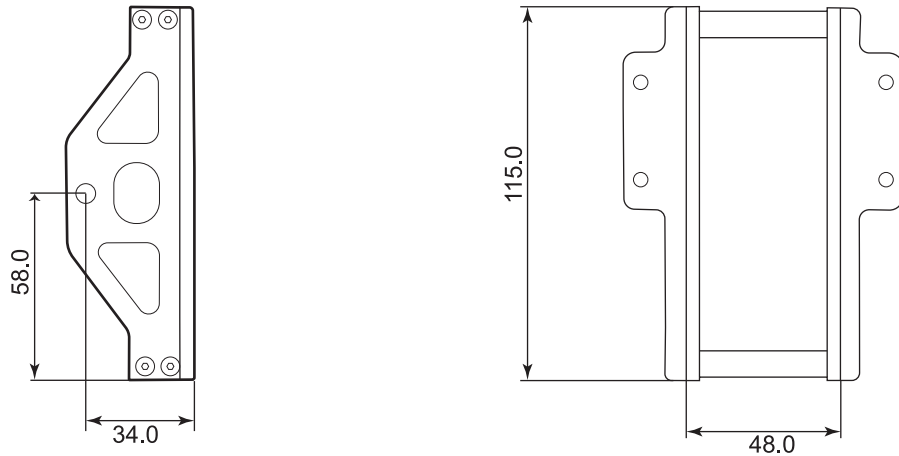
**DECORATION**



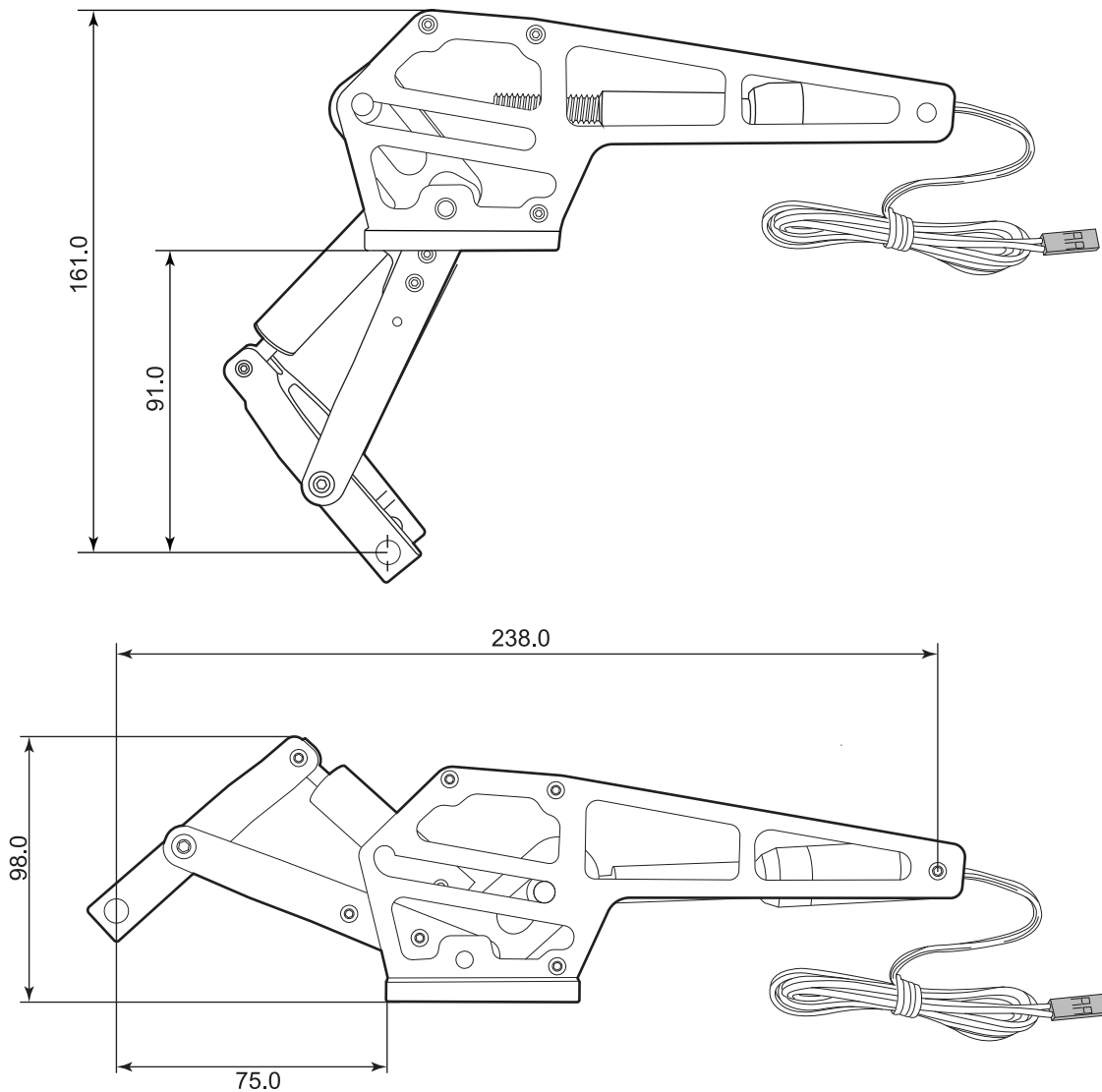
**ORACCOVER**

		
#050 - Blue France	#010 - White	#011 - Grey

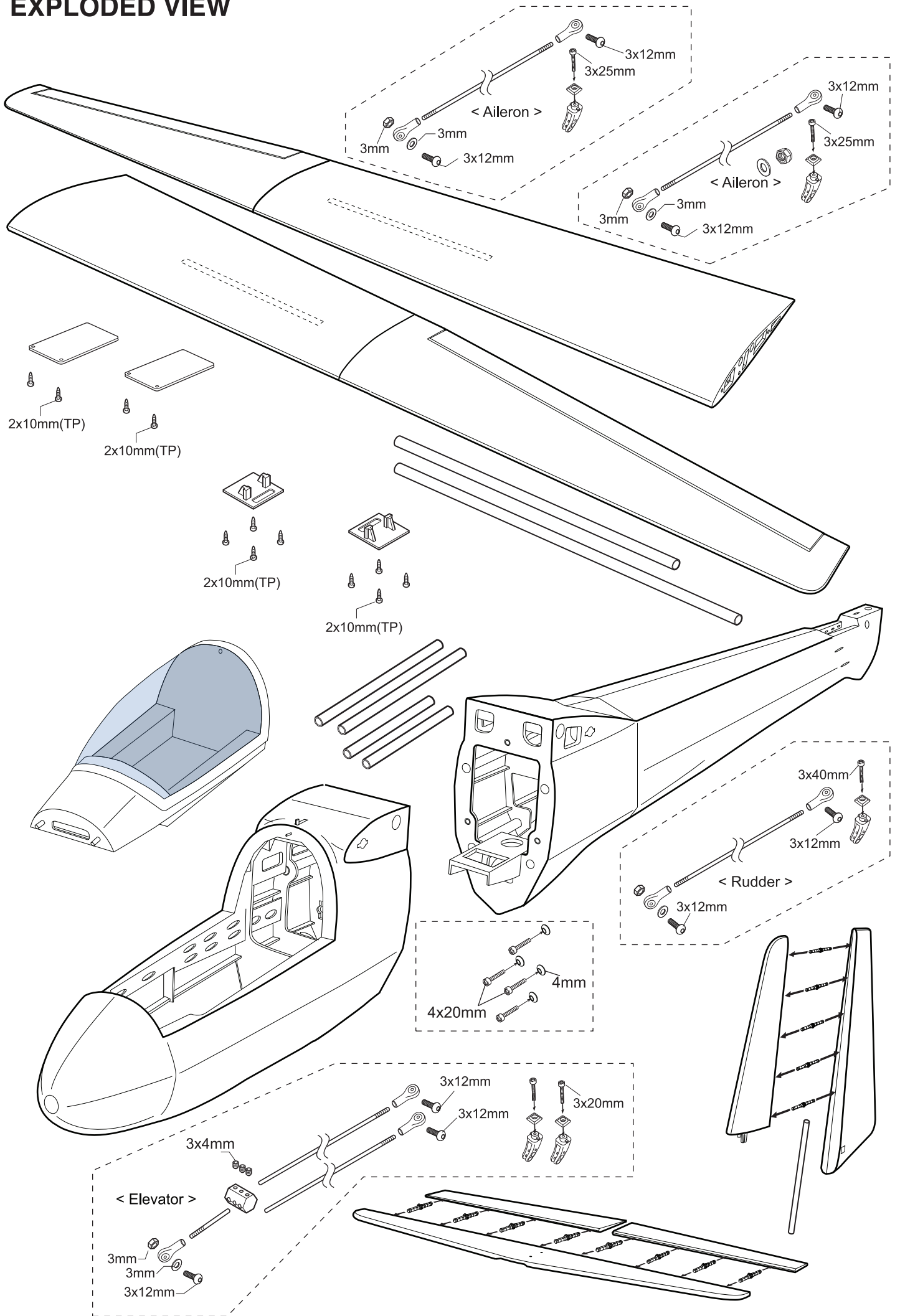
**FIX GEAR DIMENSION**



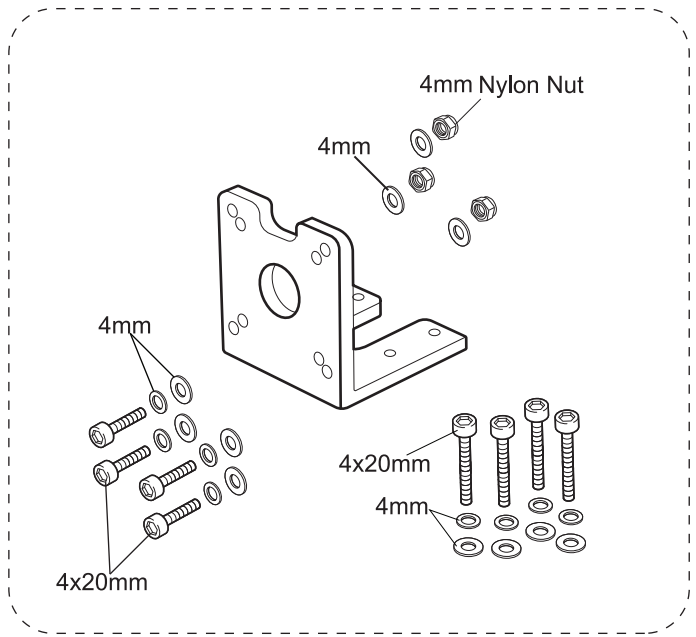
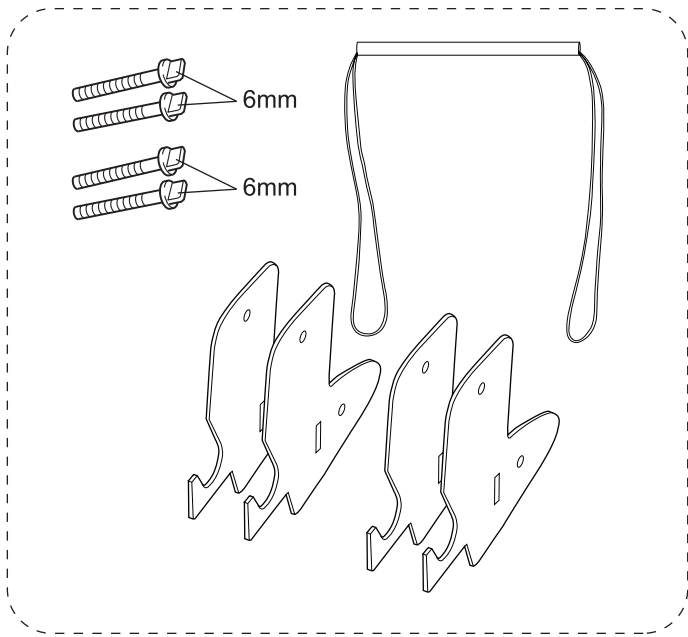
**ELECTRIC RETRACT GEAR DIMENSION (NOT INCLUDED)**



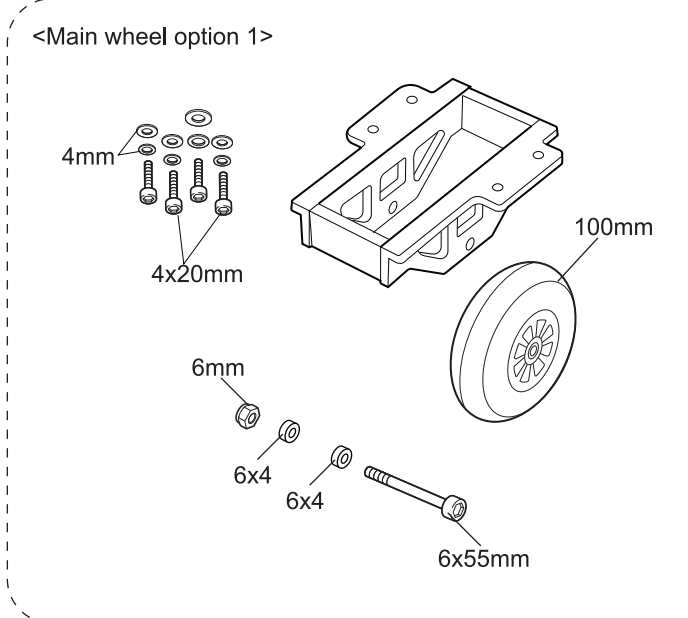
# EXPLODED VIEW



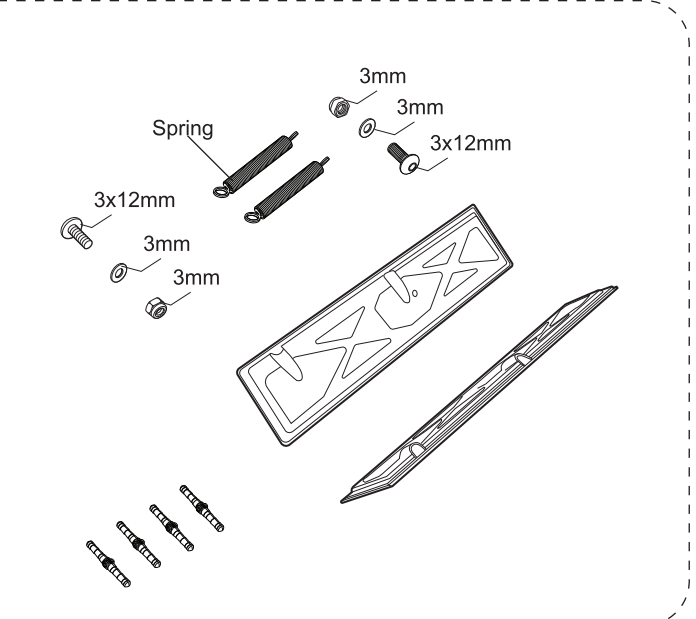
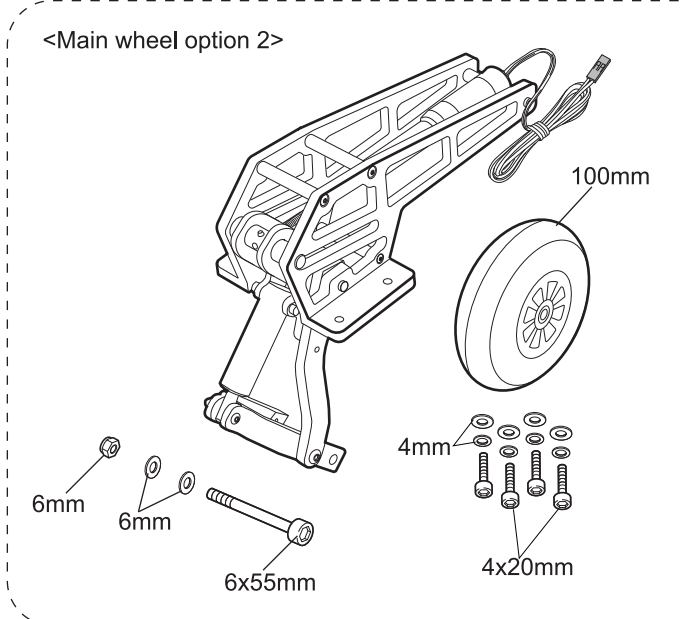
# EXPLODED VIEW



## <Main wheel option 1>

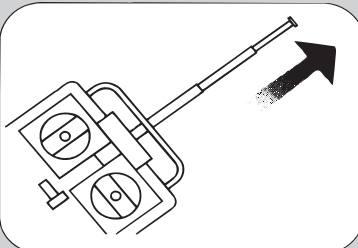


## <Main wheel option 2>

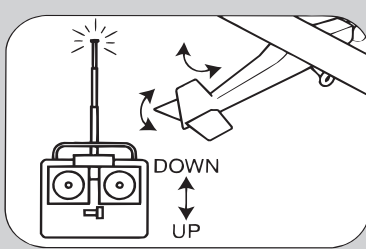




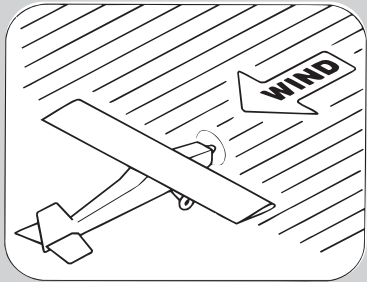
# I/C FLIGHT GUIDELINES



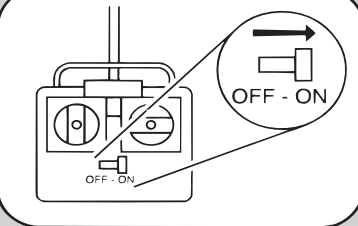
When ready to fly, first extend the transmitter aerial.



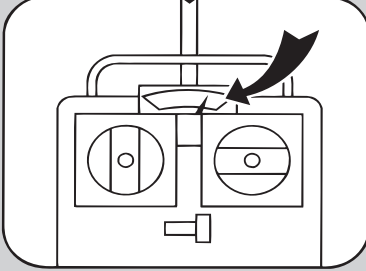
Operate the control sticks on the transmitter and check that the control surfaces move freely and in the **CORRECT** directions.



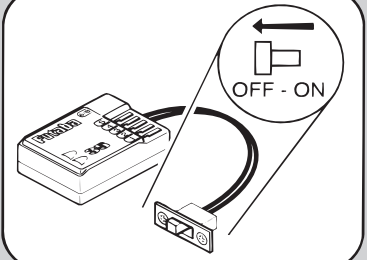
**ALWAYS** land the model **INTO** the wind, this ensures that the model lands at the slowest possible speed.



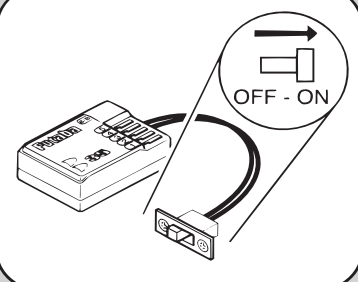
Switch on the transmitter.



Check that the transmitter batteries have adequate power.



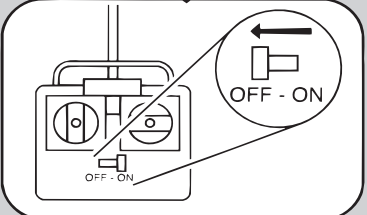
Switch off the receiver.



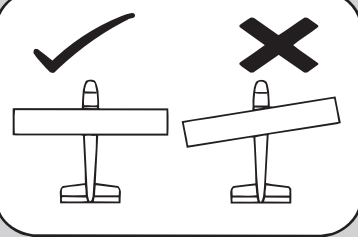
Switch on the receiver.



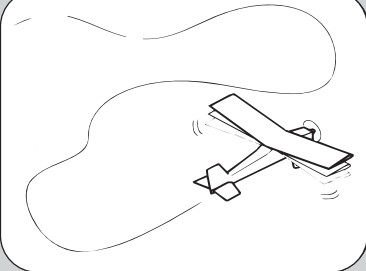
**ALWAYS** take off into the wind.



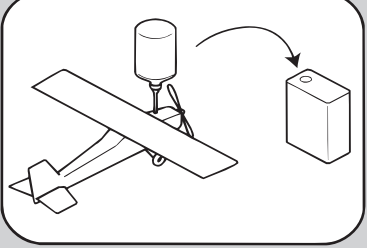
Switch off the transmitter.



Check that the wings are correctly fitted to the fuselage.



If the model does not respond correctly to the controls, land it as soon as possible and correct the fault.



Empty the fuel tank after flying, fuel left in the tank can cause corrosion and lead to engine problems.